

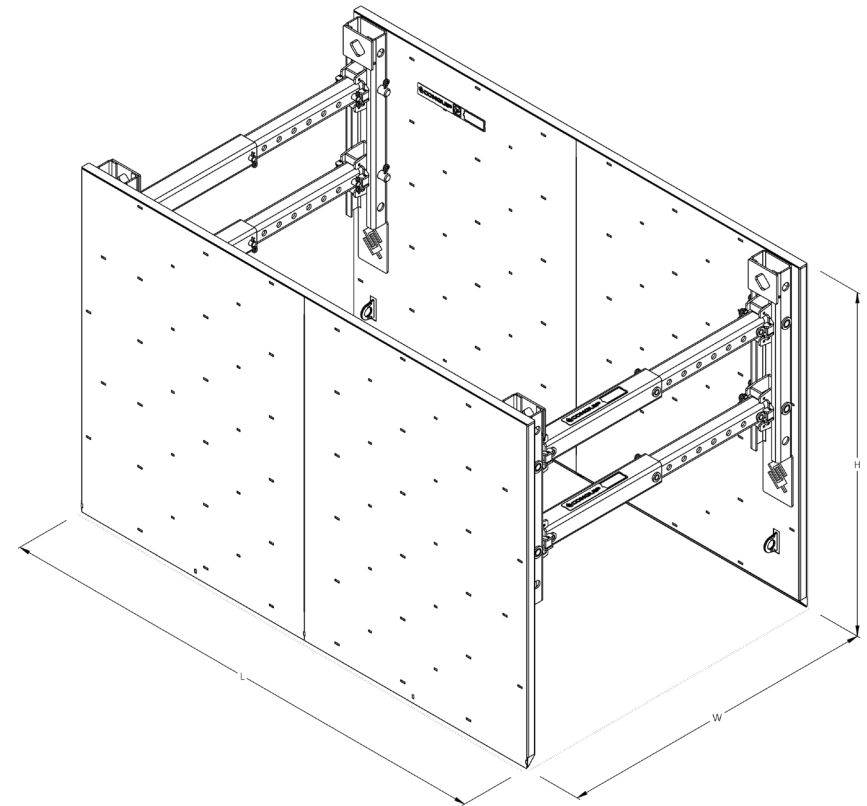
User Guide

# Lightweight Trench Box



## Product Information Specification

Item	Product Code
Lightweight Trench Base Box	TL102-0003
Lightweight Trench Extension Box	TL102-0004



<sup>1</sup>Weight will be equal to or less than the weight stated depending on your strut configuration.

Product Code	Height	Working Width (Min - Max)	External Length	Internal Length	Max Weight <sup>1</sup>	Limit State Design Load
TL102-0003	2000mm	1070 - 2470mm	3000mm	2600mm	1,418kg	40kN/m <sup>2</sup>
TL102-0004	1000mm	1070 - 2470mm	3000mm	2600mm	844kg	40kN/m <sup>2</sup>

## Product Information Overview

The Conquip Lightweight Trench Box is a simple to assemble, two sided trench lining support system designed to be installed by an excavator using the 'dig and push' technique, or by simple carrying out the excavation and then lowering each box into place.

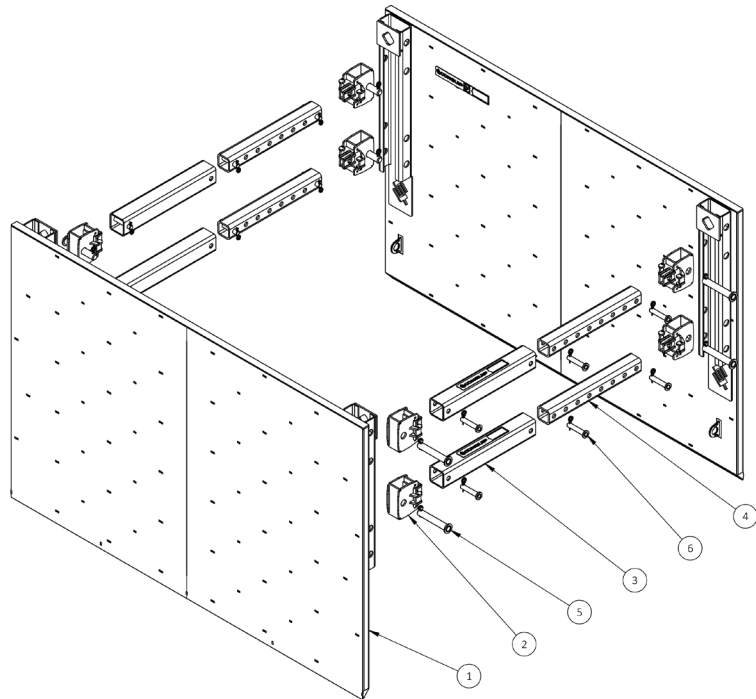
The Lightweight Trench Box is normally selected for installing utility pipes where ground movement is not critical. The size of the system required depends on maximum trench depth requirements and the size of pipe sections. It is generally suitable for trench depths of up to 4m.

Manufactured in the UK from quality British and EU steel.

Conquip also supply a full range of suitable lifting and extraction chains, edge protection and trench access accessories.

Product Information  
**Parts Diagram**

**Lightweight Trench Base Box**

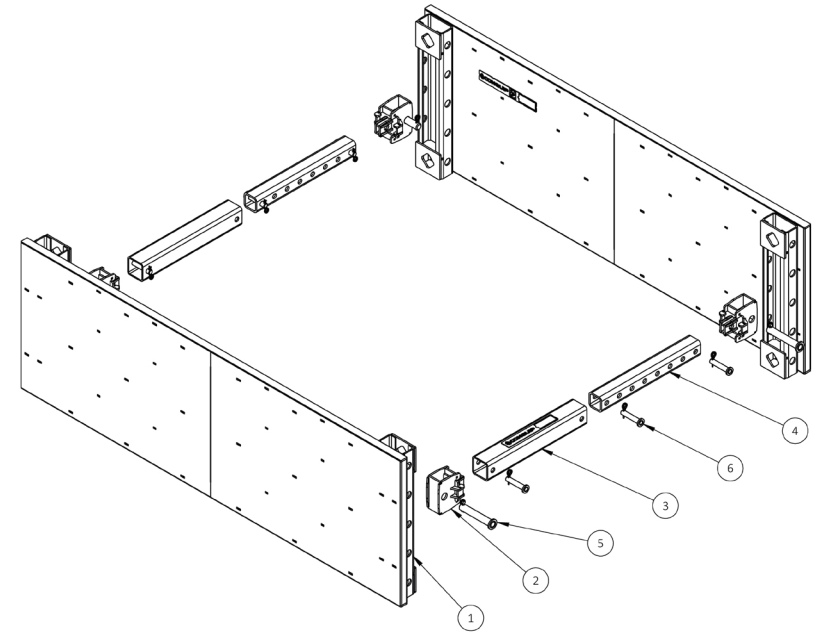


NOTE: These parts are for this model, they may differ for previous versions. Please contact Conquip with any queries.

Item Number	Description	Quantity
1	Light Weight Trench Box Base Panel	2
2	Shoring Rocker Assembly	8
3	Incremental Strut Section	4
4	Incremental Strut Section	4
5	40mm Pin Assembly	8
6	28mm Pin Assembly	12

Product Information  
**Parts Diagram**

**Lightweight Trench Extension Box**



NOTE: These parts are for this model, they may differ for previous versions. Please contact Conquip with any queries.

Item Number	Description	Quantity
1	Light Weight Trench Box Extension Panel	2
2	Shoring Rocker Assembly	4
3	Incremental Strut Section	2
4	Incremental Strut Section	2
5	40mm Pin Assembly	4
6	28mm Pin Assembly	6

## Original Working Instructions

# Usage Instructions

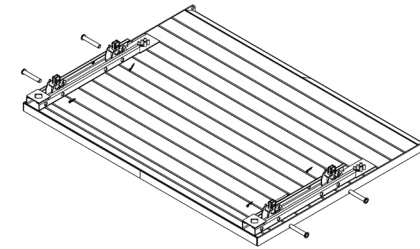
### Important Assembly Notes

- The Lightweight Trench Box should only be used with one extension box connected. Do not attempt to connect or use with more than one extension box.

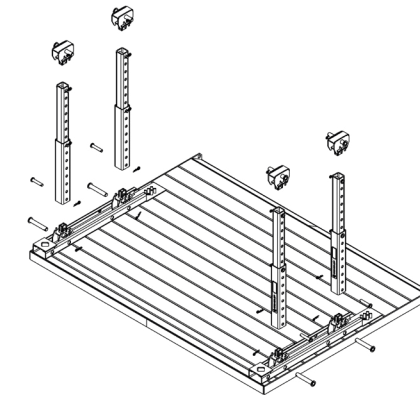
### Assembly Instructions

1. Using a certified lifting sling connected to the four corner lifting points, lift the panel onto some bearers and using the pins provided connect the rocker assembly to the panel. (Fig 1.1)
2. Place all four struts onto the rockers protruding from the panel facing upwards and secure them using the pins and R-clips supplied. (Fig 1.2)
3. Then connect the four remaining rocker assemblies to the struts using the 40mm pins and R-clips supplied.
4. Connect the sling to the lifting points of the panel facing downwards and lift it into position above the struts.
5. Lower the plate carefully, guiding the runners onto the four upright strut assemblies.
6. Secure the struts to the panel with the remaining four pins and R-clips. (Fig 1.3)
7. Disconnect the lifting sling connection points from the two lower lifting points and lift the box to the upright working position.
8. Connect the two free legs of the lifting sling to the upper lifting points of the other panel before lifting the box into the trench.

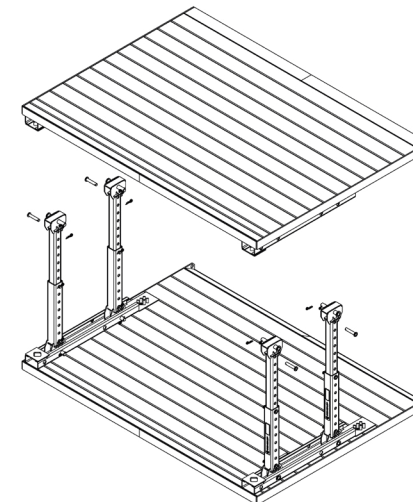
**Fig 1.1**



**Fig 1.2**



**Fig 1.3**



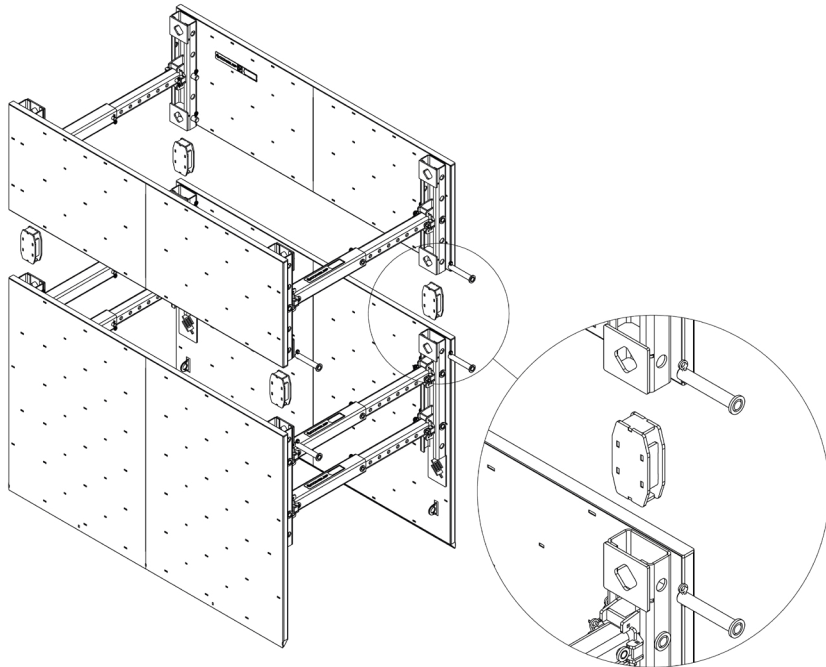
## Original Working Instructions

# Usage Instructions

---

### Connecting Extensions Boxes

1. Top extension boxes are to be assembled in the same way as assembly of base boxes, except only two struts should be fitted.
2. Once the extension box is assembled it can be secured to the base box using the connector brackets and pins.
3. Fit the connector bracket within the panel soldier of the base box and secure using a 40mm pin and R-clip.
4. Place the extension box on top of the base box, using suitable lifting apparatus. The protruding connector bracket must lock into the top of the panel soldier of the extension box.
5. Once in place, insert a 40mm pin through the panel soldier and connector bracket. Secure with an R-clip.



## Original Working Instructions

# Usage Instructions

---

### Important Installation Notes

- Never enter an unsupported excavation.
- A top extension should be attached when the top of the base is approximately 200mm above ground level.

### Usage Instructions

1. Excavate the ground to approximately 1m or deeper, as ground conditions permit.
2. Lower the box into the trench using a certified 4 leg chain sling of the correct volume.
3. The excavator operator then digs progressively between the two faces of the box panels.
4. The operator then uses the back of the bucket of the excavator to push down on the 4 corners of the box in turn.
5. Repeat steps 3 and 4 until the desired depth is reached.
6. When attaching a top extension, these should be attached to the Base Box at each corner, using connectors supplied. Each connector is secured using a pair of pins and R-clips.

### Extraction

1. Simply reverse the installation process, start by backfilling the trench.
2. Progressively pull the box upwards using a certified 4 leg lifting chain sling.
3. If extension boxes have been used, these should be disconnected as the joint becomes clear of the ground and then lifted clear before reconnecting the sling to the Base Box and continuing the extraction.

# Original Working Instructions

## Safety Instructions

### Basic Safety

A site-specific Risk Assessment, and lift plan where applicable, must be completed by the responsible person before using this equipment to control risks, produce a safe system of work and ensure safety for you, your colleagues and others. Your risk assessment will determine the correct Personal Protective Equipment (PPE) for the task you are doing. You must use it. Conquip recommends that you should wear:

- Suitable clothing
- Gloves
- Hard hat
- Protective footwear (steel toecaps)
- Safety glasses



### Important Safety Notes

- Read these instructions before using this equipment. If there is anything you do not understand or if you have any concerns do not use this equipment. Contact your supervisor or Conquip Engineering Group for advice.
- You must check that you have considered all the safety requirements for the task you are doing and that this equipment is suitable.
- You must protect bystanders and the general public by preventing access to the working area.
- Do not use this equipment if you are tired, unwell or under the influence of alcohol or drugs. If you are taking any medicine or undergoing treatment you should inform your supervisor.

### Usage & Transportation

- Never unevenly load this equipment.
- The weight of the equipment, together with its attachments, must be added to the weight of the load when calculating the total load that will be imposed on the lifting apparatus / operating machine.
- This equipment must be used in conjunction with the load ratings of the lifting apparatus / operating machine. (Refer to the manufacturers' load ratings and original working instructions).
- Make sure you know how to use this equipment and understand all aspects of its operation in case of emergency.
- This equipment weighs more than 25kg. Do not lift or manhandle without machine assistance.
- Do not operate this equipment near overhead power lines.
- Take care in confined spaces, near ceilings or similar hazards. This equipment was designed for vertical lifting. Do not drag, or swing.
- Before operating this equipment, check that you have enough space for you to work safely and make sure that the working area is clear of hazards, obstructions and personnel.
- Before lowering equipment make sure that the landing zone is clear and capable of accepting the size and weight of the load.
- Crush Risk. Keep hands and feet clear of the equipment at all times to avoid injury.
- Do not exceed the maximum Working Load Limit (WLL) shown on the serial plate. Ensure that the WLL on the individual lift points is not exceeded.

### Personnel

- All personnel must wear relevant personal protective equipment.
- Do not wear loose clothing or jewellery and tie back long hair to avoid becoming tangled or trapped in this equipment. You must make everyone in the work area aware of what you are doing.
- All personnel involved in the lifting operation must be competent to do so and must have been briefed in conjunction with this User Guide available from Conquip Engineering Group, the manufacturer.

### Equipment Maintenance & Cleaning

- It is mandatory that the equipment is thoroughly examined regularly, by a qualified engineer, to ensure compliance with relevant regulation/s. (Conquip recommend to carry out thorough examination every six months).
- This product may incorporate various loose and detachable items of lifting gear. Refer to the separate requirements for the safe use of those items.
- When not being used, store the unit in a clean, upright condition and in a safe place where it will be protected from thieves and unauthorised users.
- This equipment must be inspected by the responsible person before each use and then regularly, as determined by your risk assessment or working practice. If you have any concerns about condition or suitability do not use.

# Disclaimer

---

## Warranty

The products supplied by Conquip Engineering Group are all guaranteed by a 12 month warranty.

Apart from where exceptions apply, Conquip Engineering Group promises to repair or replace any fault which the Company considers to be due to defective material or workmanship within 12 months of the date of sale, at no additional cost.

- Faults arising from unauthorised alterations (see modifications section below for full details).
- Damage caused by abuse, neglect, misuse or falling.
- Damage caused because of failure to follow transportation, storage, loading, cleaning or operating instructions.
- Replacement or repair of components due to fair wear and tear.
- Any consequential damage or wear arising from the use or fitting of additional or non-standard parts.

## Modifications

If any third-party modifications or alterations, involving drilling, welding, cutting or distortion of materials in any form, are to be carried out on the product, Conquip Engineering Group must provide full written approval prior to the work being carried out.

Alterations, modifications, additions or repairs must be carried out by Conquip Engineering Group's recognised distributors, if they are not carrying out the work themselves.

Conquip Engineering Group operate a continuous improvement policy and therefore reserve the right to alter technical specifications and user guide details at any point without notice.

Conquip Engineering Group will not cover or reimburse any transportation and/or shipment costs to and from their premises or their recognised agents, or any material and/or labour costs for repair, replacement or assessment against a warranty claim.

Conquip Engineering Group and/or their directors, employees, insurers or recognised agents will not be held liable for consequential damages, losses or expenses relating to the inability to use the product correctly for its purpose.

# EC Declaration of Conformity

---

## In accordance with EN ISO 17050-1:2004

Declaration: As defined by the Machinery Directive 2006/42/EC and subsequent amendments

We, CONQUIP ENGINEERING GROUP, herewith declare that the following indicated equipment meets the fundamental health and safety requirements concerning the EU guide line(s), due to their design and manufacture.

This declaration will be rendered null and void if the machine is changed without our approval.

**Signed:**



**Dated: 2021**

**Garry Critchley, Managing Director**

<b>Product Code(s):</b>	TL102-0003 / TL102-0004
<b>EC Directive/ Regulation:</b>	2006/42/EC, Lifting Operations and Lifting Equipment Regulations 1998 Provision and Use of Work Equipment Regulations 1998
<b>Harmonised Standards:</b>	BS EN ISO 12100:2010 BS EN 13155
<b>General Description/ Designation:</b>	Lightweight Trench Base Box – TL102-0003 Lightweight Trench Extension Box – TL102-0004
<b>WLL:</b>	TL102-0003 / TL102-0004 = N/A



## Important Notes

- This User Guide is for this Conquip product only.
- Any movements of the product must be thoroughly planned before the work commences to identify potential hazards and assess risk.
- All personnel involved in lifting and transportation of this product must have read this User Guide and must be properly briefed.
- You must be competent, alert and medically fit when using this equipment. If you have a medical condition, a mental or physical disability, you must seek advice from a medical professional before using this equipment.

Talking to us is easy

**We're here to help**

Call us on 0333 300 3470

Email us at [sales@cqegroup.com](mailto:sales@cqegroup.com)

[www.cqegroup.com](http://www.cqegroup.com)

**Conquip Engineering Group**

Waterbrook Estate, Alton, Hampshire, GU34 2UD

Copyright © 2020 Conquip Engineering Group. All Rights Reserved.  
Lightweight Trench Box User Guide - Issue 5