

User Guide

Excavator Pipe Pusher



Product Information

Overview

An excavator attachment for pushing interconnecting pipes firmly together, when laying pipes in a trench. Durable rubber buffers prevent pipe damage and the width of the plates can be easily adjusted, ensuring they are suitable for larger pipes. On-site safety is greatly improved as no site operatives are required in the trench.

The Excavator Pipe Pusher, designed to suit 13-22T and 30-50T excavators, is ideal for laying pipelines on civils projects, providing a safer and more efficient option for concrete pipe placement.

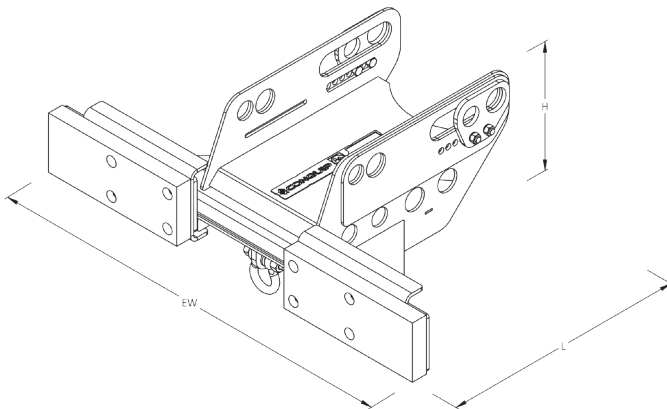
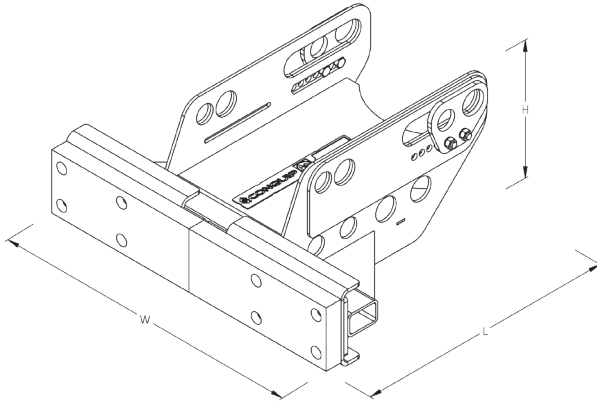
Key Benefits

- Quick and simple to attach with adjustable pin centres and different pin sizes to suit any model of excavator quick hitch.
- All Conquip excavator attachments are manufactured in the UK from British and European steel.
- Strong, compact design able to withstand the wear and tear from heavy concrete pipe sections.
- Easily adjustable for larger width pipes by simply undoing the bolts, rotating the plates 180° and tightening the bolts again.
- EA018AA-02000 can be supplied with 65mm or 80mm pins to suit 13-22T excavators.
- EA018AD-02000 can be supplied with 90mm, 100mm or 110mm pins to suit 30-50T excavators.

Product Information

Specification

Item	Product Code
Excavator Pipe Pusher (13-22T excavator)	EA018AA-02000
Excavator Pipe Pusher (30-50T excavator)	EA018AD-02000



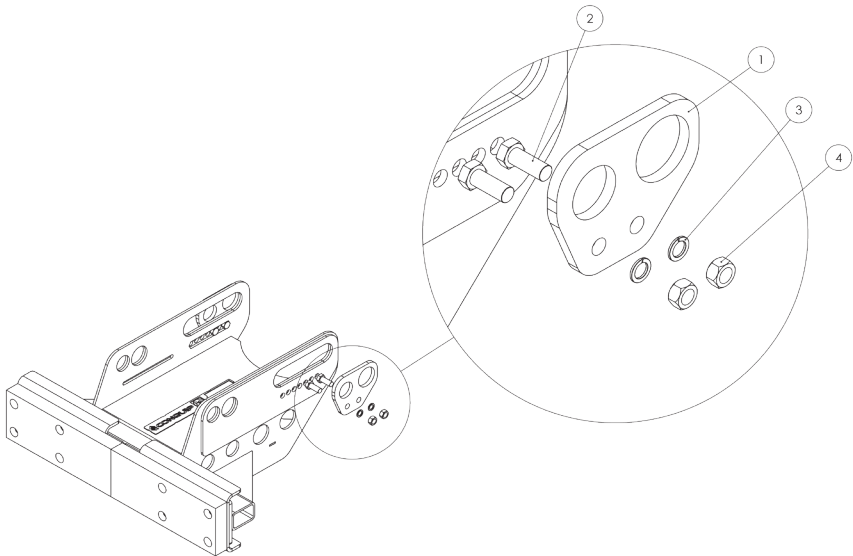
¹Working Load Limit

Product Code	Height	Width	Width (Extended)	Length	Weight	WLL ¹
EA018AA-02000	470mm	1100mm	1560mm	960mm	200kg	8500kg
EA018AD-02000	580mm	1100mm	1560mm	1275mm	250kg	8500kg

Product Information

Parts Diagram

Excavator Pipe Pusher



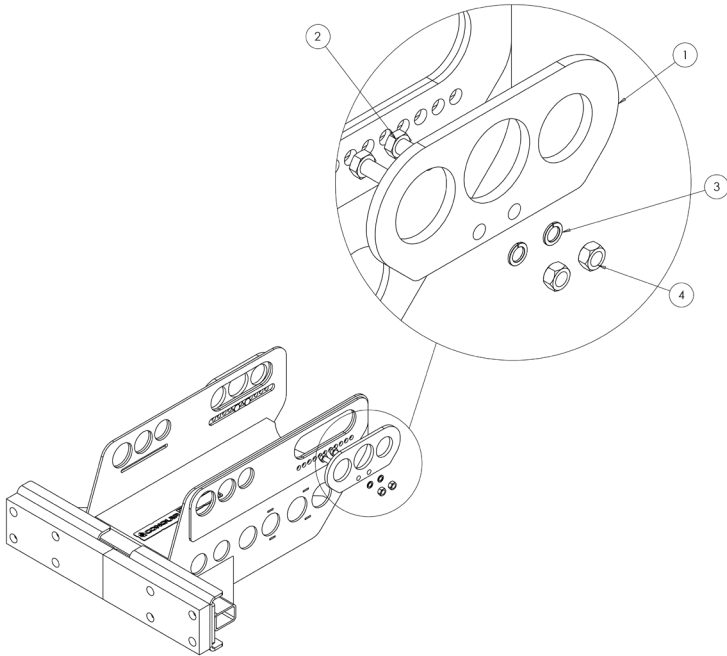
NOTE: These parts are for this model, they may differ for previous versions. Please contact Conquip with any queries.

Item Number	Part Number	Description	Quantity
1	EA018AA-02000-02	Adjustment Plate	2
2	M20x50 Hex Head Set Screw	M20x50 Hex Head Set Screw	4
3	M20 Spring Washer	M20 Spring Washer	4
4	M20 Full Nut	M20 Full Nut	4

Product Information

Parts Diagram

Excavator Pipe Pusher



NOTE: These parts are for this model, they may differ for previous versions. Please contact Conquip with any queries.

Item Number	Part Number	Description	Quantity
1	EA018AD-02000-02	Adjustment Plate	2
2	M20x50 Hex Head Set Screw	M20x50 Hex Head Set Screw	4
3	M20 Spring Washer	M20 Spring Washer	4
4	M20 Full Nut	M20 Full Nut	4

Original Working Instructions

Usage Instructions

Important Usage Notes

- Ensure this product is compatible with your excavator lifting table before using (Refer to the manufacturer's user guide).
- Ensure that all personnel are clear of the excavator when manoeuvring and placing pipe sections. All personnel involved in this process must be wearing relevant personal protective equipment.
- When using the Excavator Pipe Pusher for larger width pipes, ensure plates are removed, rotated 180° and bolts are securely fastened before lifting pipe section.
- If there is a slinger signaller, he/she should not be positioned underneath the load and should remain visible to the driver.
- Operators should allow for any rough or sloping ground when assessing the method of operating.
- The Working Load Limit (page 3) is the capacity of the lifting point, not the pushing capacity of the attachment.

Using with an Excavator

1. Select correct size pins for your machine's quick hitch.
2. Fit front pin to correct sized hole on the attachment.
3. Adjust position of rear pin to suit the quick hitch – follow the quick hitch operating guidelines and set the pins to the maximum centres for the unit.
4. Ensure the quick hitch pins have the retaining bolt correctly fitted.
5. Check for debris in the quick hitch locking mechanism and check the fit of the unit on the quick hitch, do not use if not secure.
6. Ensure other pins, as available, are stored correctly to prevent loss.
7. If using this attachment for lifting pipes to pipe laying location, ensure that you have the suitable lifting apparatus or chain slings attached to the lifting point. Carry out a test lift to check the load is stable, before lifting to location.
8. Manoeuvre the excavator to pipe location, position plates against the rim of the pipe section.
9. Push the pipe gently and smoothly. Do not ram or use excessive force when positioning.

Original Working Instructions

Safety Instructions

Basic Safety

A site-specific Risk Assessment, and lift plan where applicable, must be completed by the responsible person before using this equipment to control risks, produce a safe system of work and ensure safety for you, your colleagues and others. Your risk assessment will determine the correct Personal Protective Equipment (PPE) for the task you are doing. You must use it. Conquip recommends that you should wear:

- Suitable clothing
- Gloves
- Hard hat
- Protective footwear (steel toecaps)
- Safety glasses



Important Safety Notes

- Read these instructions before using this equipment. If there is anything you do not understand or if you have any concerns do not use this equipment. Contact your supervisor or Conquip Engineering Group for advice.
- You must check that you have considered all the safety requirements for the task you are doing and that this equipment is suitable.
- You must protect bystanders and the general public by preventing access to the working area.
- Do not use this equipment if you are tired, unwell or under the influence of alcohol or drugs. If you are taking any medicine or undergoing treatment you should inform your supervisor.

Usage & Transportation

- Never unevenly load this equipment.
- The weight of the equipment, together with its attachments, must be added to the weight of the load when calculating the total load that will be imposed on the lifting apparatus / operating machine.
- This equipment must be used in conjunction with the load ratings of the lifting apparatus / operating machine. (Refer to the manufacturers' load ratings and original working instructions).
- Make sure you know how to use this equipment and understand all aspects of its operation in case of emergency.
- This equipment weighs more than 25kg. Do not lift or manhandle without machine assistance.
- Do not operate this equipment near overhead power lines.
- Take care in confined spaces, near ceilings or similar hazards. This equipment was designed for vertical lifting. Do not drag, or swing.
- Before operating this equipment, check that you have enough space for you to work safely and make sure that the working area is clear of hazards, obstructions and personnel.
- Before lowering equipment make sure that the landing zone is clear and capable of accepting the size and weight of the load.
- Crush Risk. Keep hands and feet clear of the equipment at all times to avoid injury.
- Do not exceed the maximum Working Load Limit (WLL) shown on the serial plate. Ensure that the WLL on the individual lift points is not exceeded.

Personnel

- All personnel must wear relevant personal protective equipment.
- Do not wear loose clothing or jewellery and tie back long hair to avoid becoming tangled or trapped in this equipment. You must make everyone in the work area aware of what you are doing.
- All personnel involved in the lifting operation must be competent to do so and must have been briefed in conjunction with this User Guide available from Conquip Engineering Group, the manufacturer.

Equipment Maintenance & Cleaning

- It is mandatory that the equipment is thoroughly examined regularly, by a qualified engineer, to ensure compliance with relevant regulation/s. (Conquip recommend to carry out thorough examination every six months).
- This product may incorporate various loose and detachable items of lifting gear. Refer to the separate requirements for the safe use of those items.
- When not being used, store the unit in a clean, upright condition and in a safe place where it will be protected from thieves and unauthorised users.
- This equipment must be inspected by the responsible person before each use and then regularly, as determined by your risk assessment or working practice. If you have any concerns about condition or suitability do not use.

Disclaimer

Warranty

The products supplied by Conquip Engineering Group are all guaranteed by a 12 month warranty.

Apart from where exceptions apply, Conquip Engineering Group promises to repair or replace any fault which the Company considers to be due to defective material or workmanship within 12 months of the date of sale, at no additional cost.

- Faults arising from unauthorised alterations (see modifications section below for full details).
- Damage caused by abuse, neglect, misuse or falling.
- Damage caused because of failure to follow transportation, storage, loading, cleaning or operating instructions.
- Replacement or repair of components due to fair wear and tear.
- Any consequential damage or wear arising from the use or fitting of additional or non-standard parts.

Modifications

If any third-party modifications or alterations, involving drilling, welding, cutting or distortion of materials in any form, are to be carried out on the product, Conquip Engineering Group must provide full written approval prior to the work being carried out.

Alterations, modifications, additions or repairs must be carried out by Conquip Engineering Group's recognised distributors, if they are not carrying out the work themselves.

Conquip Engineering Group operate a continuous improvement policy and therefore reserve the right to alter technical specifications and user guide details at any point without notice.

Conquip Engineering Group will not cover or reimburse any transportation and/or shipment costs to and from their premises or their recognised agents, or any material and/or labour costs for repair, replacement or assessment against a warranty claim.

Conquip Engineering Group and/or their directors, employees, insurers or recognised agents will not be held liable for consequential damages, losses or expenses relating to the inability to use the product correctly for its purpose.

EC Declaration of Conformity

In accordance with EN ISO 17050-1:2004

Declaration: As defined by the Machinery Directive 2006/42/EC and subsequent amendments

We, CONQUIP ENGINEERING GROUP, herewith declare that the following indicated equipment meets the fundamental health and safety requirements concerning the EU guide line(s), due to their design and manufacture.

This declaration will be rendered null and void if the machine is changed without our approval.

Signed: 

Dated: 2019

Garry Critchley, Managing Director

Product Code(s):	EA018AA-02000 EA018AD-02000
EC Directive/ Regulation:	2006/42/EC, Lifting Operations and Lifting Equipment Regulations 1998 Provision and Use of Work Equipment Regulations 1998
Harmonised Standards:	BS EN ISO 12100:2010 BS EN 13155
General Description/ Designation:	Excavator Pipe Pusher – EA018AA-02000, EA018AD-02000
WLL:	EA018AA-02000 = 8500kg EA018AD-02000 = 8500kg

Important Notes

- This User Guide is for this Conquip product only.
- Any movements of the product must be thoroughly planned before the work commences to identify potential hazards and assess risk.
- All personnel involved in lifting and transportation of this product must have read this User Guide and must be properly briefed.
- You must be competent, alert and medically fit when using this equipment. If you have a medical condition, a mental or physical disability, you must seek advice from a medical professional before using this equipment.

Talking to us is easy

We're here to help

Call us on 0845 520 1101

Email us at sales@cqegroup.com

www.cqegroup.com

Conquip Engineering Group

Waterbrook Estate, Alton, Hampshire, GU34 2UD