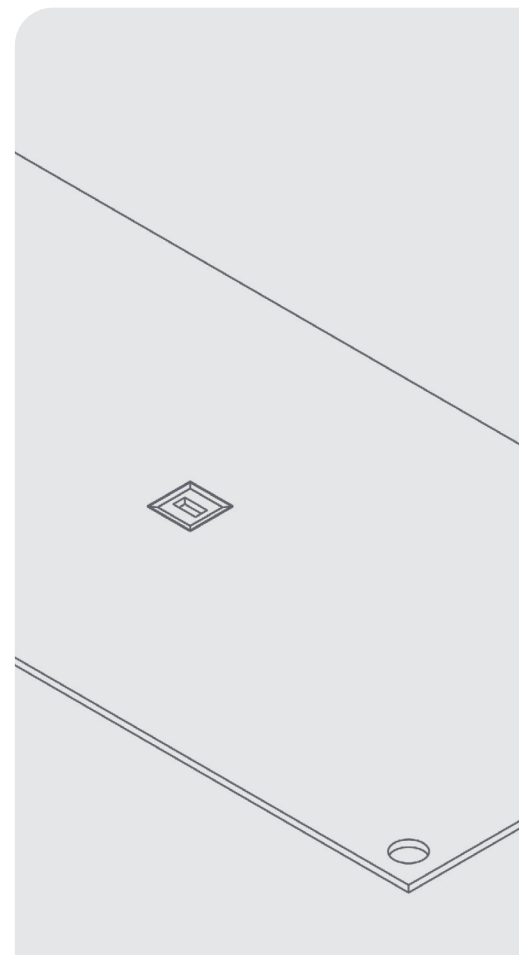
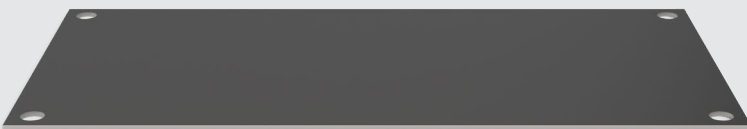


USER GUIDE

ROAD PLATES



DISCLAIMER

Do not attempt to handle or operate this equipment before you have received sufficient training. Before use, it is imperative that you have read the General Safety Instructions on page 12 and sufficiently familiarised yourself with the Operational Procedures in this document.

Note that this item is compliant only to the standards specified in this User Guide and it is therefore the duty of the responsible person(s) to review and ensure compliance.

CONTENTS

PRODUCT INFORMATION

INTRODUCTION	04
SPECIFICATION	05

OPERATIONAL PROCEDURES

IMPORTANT USAGE NOTES	08
USAGE INSTRUCTIONS	08
WHEEL LOADING	10
SPEED	10
ROAD PROFILE	10

GENERAL SAFETY INSTRUCTIONS

SAFETY INSTRUCTIONS	12
GENERAL NOTES	13

LEGAL

TERMS AND CONDITIONS	14
EC DECLARATION OF CONFORMITY	18
STANDARDS AND REGULATIONS APPLICABLE	19

INTRODUCTION

OVERVIEW

Conquip Road Plates are steel plates designed as a safe, temporary pathway across uneven, sunken or broken ground, for vehicles and machinery. Our range is available in four variations, Standard, Anti-Skid, Centre-Lift and Anti-Skid Centre Lift.

Standard and Anti-Skid Road Plates have lifting points in each corner for easy movement around site. The Centre-Lift Road Plates feature an integrated weld plate that requires a specific lifting tool to manoeuvre them, for a safe and secure lift.

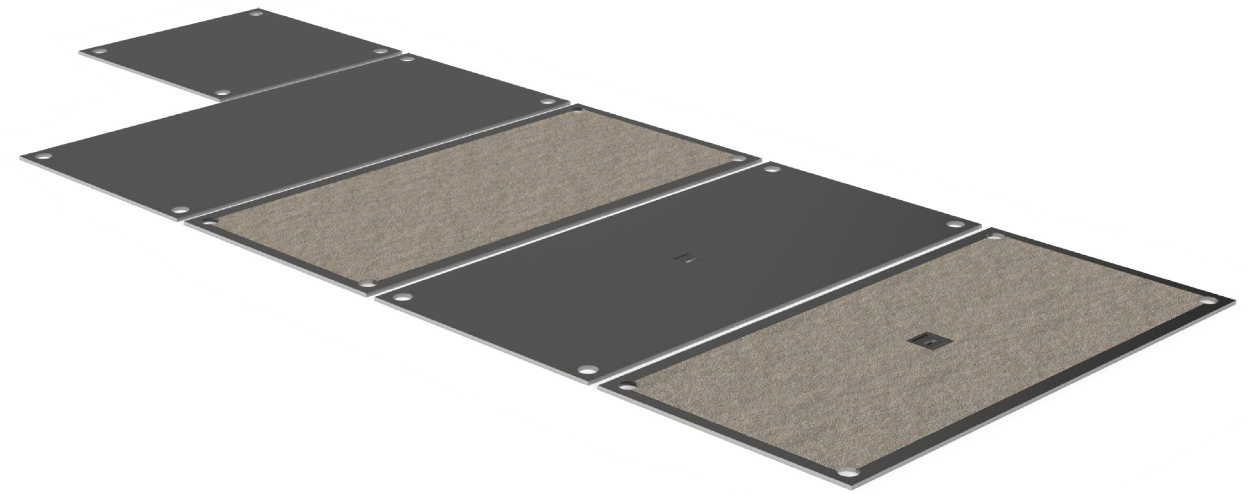
Road Plates are an essential asset for any project, preventing damage to vehicles and machinery and enabling them to move around site with ease.

KEY BENEFITS

- Available in four variations - Standard, Anti-Skid, Centre-Lift and Anti-Skid Centre-Lift, to cover many applications on-site.
- Standard plates available in lengths of either 1200mm or 2400mm.
- Lifting points ensure easy transportation around site.
- Compliant with the Street & Roadworks Code of Safe Practice.

SPECIFICATION

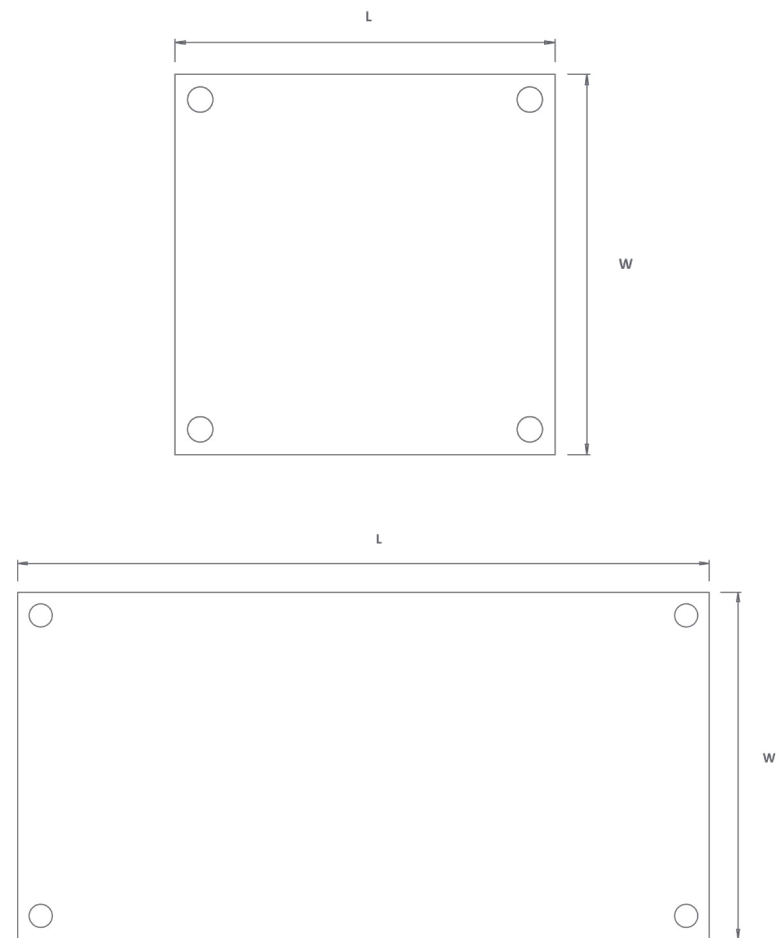
THE RANGE



CODE	TYPE	WEIGHT (kg)
SS520-01440	Standard Road Plate 1200	226
SS520-02880	Standard Road Plate 2400	452
SS520AB-02880	Anti-Skid Road Plate	452
SS520AC-02880	Centre-Lift Road Plate	452
SS520AD-02880	Anti-Skid Centre-Lift Road Plate	452

SPECIFICATION

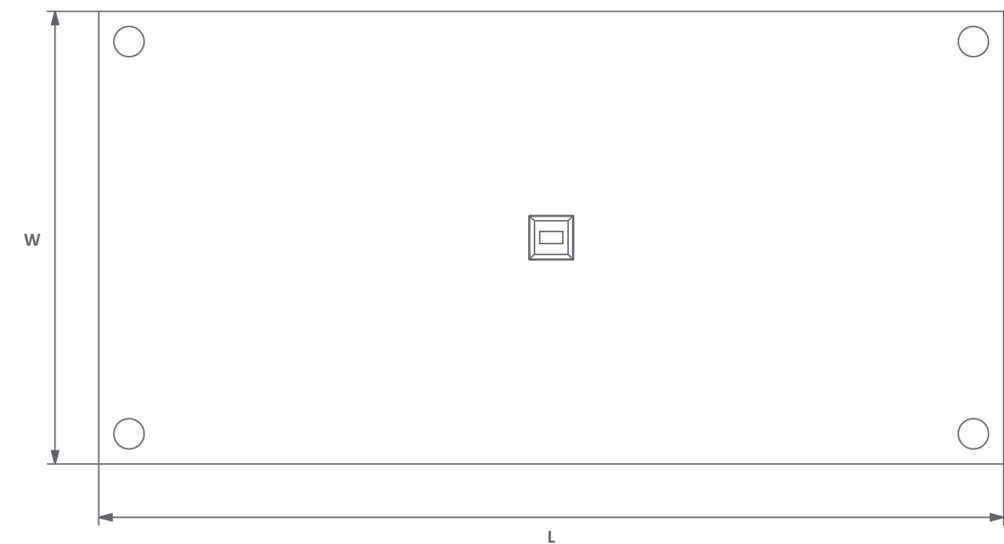
ITEM	PRODUCT CODE
Standard Road Plate 1200	SS520-01440
Standard Road Plate 2400	SS520-02880
Anti-Skid Road Plate	SS520AB-02880



LENGTH (mm)	WIDTH (mm)	THICKNESS (mm/inches)	HOLE DIAMETER (mm)
1200	1200	19.77 / ¾	80
2400	1200	19.77 / ¾	80
2400	1200	19.77 / ¾	80

SPECIFICATION

ITEM	PRODUCT CODE
Centre-Lift Road Plate	SS520AC-02880
Anti-Skid Centre-Lift Road Plate	SS520AD-02880
Lifting Tool*	CA248-03600



LENGTH (mm)	WIDTH (mm)	THICKNESS (mm/inches)	HOLE DIAMETER (mm)
2400	1200	19.77 / ¾	80

*Lifting Tool is hired or purchased separately.

OPERATIONAL PROCEDURES

IMPORTANT USAGE NOTES

- If Road Plates are required to bridge excavations, their use must be authorised by a suitably qualified supervisor who will decide on the size and thickness of the plate to be used.
- The thickness and size of the plate required will depend on the width of excavation to be spanned and type of traffic expected to use them.
- Road Plates must be secured to the road surface by either being sunk into the surface or joined by suitable bitumastic material to create a ramp.
- Road Plate edges adjacent to the excavation should be fenced to prevent falls.
- The sides of bridged excavations must be suitably supported beneath the plate.
- Installation of Road Plates must not present a hazard to pedestrians, cyclists or motorcyclists.
- Appropriate ramp warnings, speed restrictions and signage should be in place.
- The holes in the plates are designed to lift the self weight.
- The Centre-Lift Road Plates feature an integrated weld plate that requires a specific lifting tool to manoeuvre them, for a safe and secure lift.

USAGE INSTRUCTIONS

STANDARD AND ANTI-SKID ROAD PLATES

01. Attach a suitably rated lifting apparatus' attachment to the lifting points of the plate.
02. Carefully raise the plate off the ground.
03. Carefully transport the plate to the required position and lower to the ground.
04. Place the plate over the uneven ground or excavation, and ensure it is securely placed and stable.
05. Disconnect from the lifting apparatus.
06. Secure the Road Plate to the surface below by either sinking the plate into the surface, or joining with bitumastic material to create a ramp to the plate surface.
07. The Road Plate is now safe for traffic to pass over it.



CENTRE-LIFT ROAD PLATES

01. Position the lifting tool over the hole in the centre of the Road Plate plate (Fig.1).
02. Open the tool by lowering the inside section towards the face of the Road Plate (Fig.2). This allows the jaws of the tool to drop inside the hole.

FIG. 1

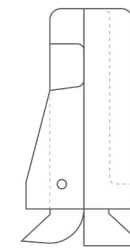
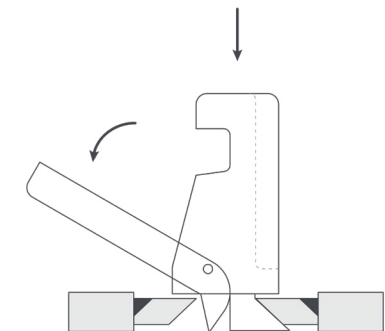


FIG. 2



03. Then raise the inside section (Fig.3) to close the tool and engage the locking mechanism.
04. The Centre-Lift Road Plate is now ready to be connected to a lifting device.

FIG. 3

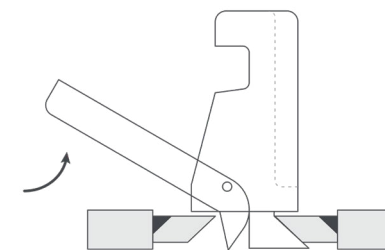
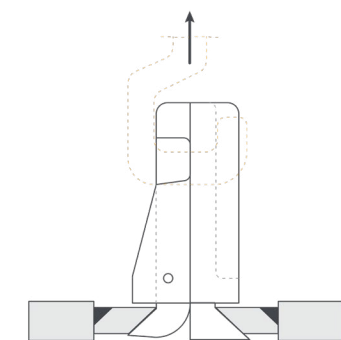


FIG. 4

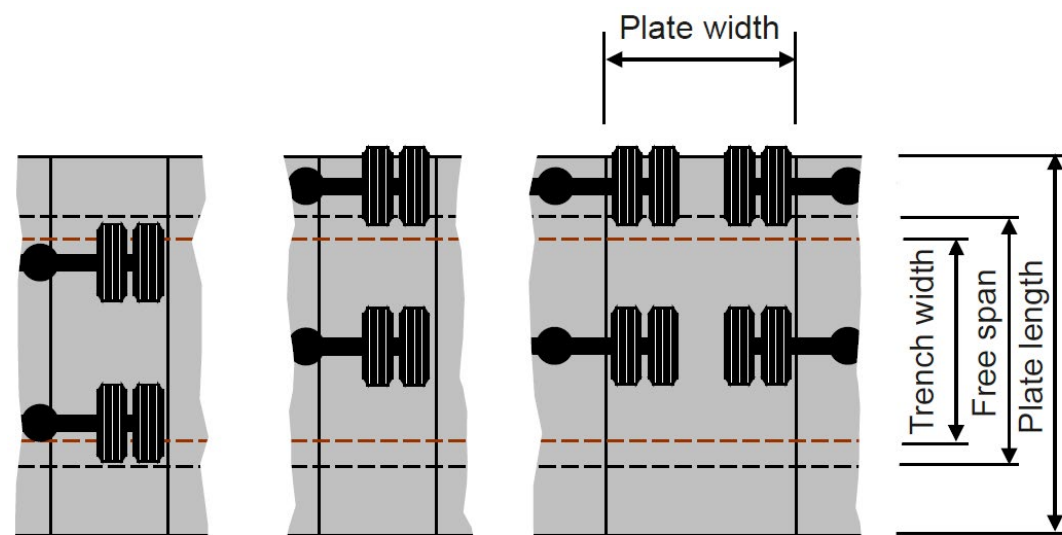


05. Insert a lifting hook through the lifting point (Fig.4) of the tool.
06. Carefully raise the Centre-Lift Road Plate just off the ground to check the load is secure and transport it to the desired location on-site. Lifting must be in a vertical position and the tool must not be used to drag or push plates.
07. Lower the Centre-Lift Road Plate to the ground and disconnect the lifting hook.
08. Lower the inside section of the lifting tool towards the face of the Centre-Lift Road Plate to release the locking mechanism and remove the tool from the Road Plate.

WHEEL LOADING

The maximum bending and force that can be imposed on a single plate depends on:

- The length of the free span.
- The number of half-axes that can be accommodated within the free span.
- The weights of the half-axes.
- The positions of the half-axes.



SPEED

It is recommended that vehicles travel on the plates at speeds no faster than 30mph.

ROAD PROFILE

Consideration needs to be taken with roads or surfaces that have a surface curvature as this can mean that the plate is less likely to match the road profile and could detach from the road surface when driven over.



GENERAL SAFETY INSTRUCTIONS

The equipment should be properly operated and maintained to keep it in a safe, efficient operating condition. Be sure that all fixings and components are free of mud or other matter that might cause issues hazardous to the operator, serviceman, or other personnel or equipment. Report all malfunctions to those responsible for maintenance, and do not operate the equipment until corrected. Normal service or maintenance performed as required can prevent unexpected and unnecessary downtime.

This operations manual describes general inspections, servicing and operation with the normal safety precautions required for normal servicing and operating conditions. It is not a guide, however, for abnormal conditions or situations, and therefore, servicemen and operators must be safety conscious and alert to recognise potential servicing or operating safety hazards at all times, and take necessary precautions to assure safe servicing and operation of the equipment.



M002
Refer to instructions manual



M004
Wear eye protection



M008
Wear safety footwear



M009
Wear protective gloves



M010
Wear protective clothing



M014
Wear head protection



M015
Wear high-visibility clothing

GENERAL NOTES

- Read this operations manual and learn the operating characteristics and limitations of the equipment. Know what operating clearances the equipment requires.
- Read and understand all the safety signs prior to operation.
- If the safety signs are obstructed by dirt or debris, clean them using mild soap and water prior to operation.
- If the safety signs are damaged or illegible, replace them immediately, prior to operation.
- Be aware of operating hazards that weather changes can create on the job. Know proper procedures to follow when a severe rain or electrical storm strikes.
- Never attempt to operate or work on machinery when not feeling physically fit.
- Never wear loose clothing, rings, watches, heavy gloves etc., that might catch and result in injury.
- Know what safety equipment is required and use it. Such equipment may be: hard hat, safety glasses, reflector type vests, protective gloves and safety footwear.

TERMS & CONDITIONS

CONQUIP ENGINEERING GROUP STANDARD PRODUCT WARRANTY

01. COMMENCEMENT

1.1 This Warranty shall commence on the Commencement Date and shall continue until the earlier of:

- (a) the Expiry Date; or
- (b) the date on which it may be voided in accordance with clause 4.1(b)

when it shall terminate automatically without notice.

02. DUTY OF GOOD FAITH

2.1 The Purchaser shall in the exercise of its rights under this Warranty and in the compliance with its obligations under this Warranty be subject to and shall in all respects owe and comply with a duty of good faith to the Warrantor.

03. NATURE AND EXTENT OF COVER

3.1 Subject to clause 3.2 the Warrantor agrees and undertakes to the Purchaser that it shall be liable to the Purchaser under and in accordance with the terms of this Warranty in the event that:

- (a) prior to the Expiry Date the Purchaser shall notify a Warranty Claim to the Warrantor; and
- (b) the Equipment or any relevant part of the Equipment shall have become unusable as the result of defective material or defective workmanship prior to the Expiry Date.

3.2 The Warrantor's obligation under clause 3.1 shall be expressly subject to the provisions of clauses 4, 5 and 6 and conditional upon the Purchaser's compliance in full with the provisions of clause 7.

04. RESTRICTIONS

4.1 The following restrictions apply to this Warranty:

(a) This Warranty is personal to the Purchaser and neither the legal benefit nor legal burden of this warranty may be assigned or novated or otherwise transferred by the Purchaser to any other party. Any purported assignment, novation or transfer shall not be binding upon the Warrantor.

(b) This Warranty shall be void in the event that the Purchaser:

(i) cannot provide authentic and original documentary evidence that the Purchaser has during the period between the Commencement Date and the Expiry Date complied with the Maintenance and Servicing Requirements; and/or

(ii) has, during the period between the Commencement Date and the Expiry Date, exceeded the Purchaser's Usage Cycle Parameters; and/or

(iii) has, during the period between the Commencement Date and the Expiry Date, exceeded the Purchaser's Use Parameters; and/or

(iv) has carried out, or procured the carrying out by any third party of, any repair to the Equipment or any part of the Equipment which is not an Authorised Repair; and/or

(v) has operated the Equipment after having replaced any part of the Equipment with a part which has not been supplied and fitted by the Warrantor; and/or

(vi) has modified the Equipment in any way prior to use.

05. EXCLUSIONS

5.1 The following are excluded from the scope of this Warranty:

(a) Loss of and/ or damage to the Equipment or any part of it resulting from any collision between the Equipment and any other fixed or stationary or mobile object whatsoever, irrespective of whether that collision was or was not caused by the Purchaser; and/or

(b) Loss of and/or damage to any personal property and/or possessions or other equipment not forming part of the Equipment but which is present in or about the Equipment; and/or

(c) loss and/or damage which is covered by any other insurance policy taken out and maintained by the Purchaser or in respect of which the Purchaser has a contractual obligation to do so; and/or

(d) loss and/or damage to the equipment which is consistent with the use by the Purchaser of the Equipment:

(i) in compliance with the Maintenance and Servicing Requirements; and

(ii) in compliance with the Usage Cycle Parameters; and

(iii) in compliance with the Use Parameters; and

(iv) having only carried out Authorised Repairs to the Equipment; and

(v) having all and any replacement parts fitted by the Warrantor; and

(vi) in unmodified form.

06. LIMITATION OF LIABILITY

6.1 The Warrantor's liability to the Purchaser shall be limited as follows:

- (a) The Warrantor shall not in any circumstances be liable to the Purchaser for indirect and/or consequential and/or economic loss suffered and/or incurred as the case may be by the Purchaser; and
- (b) The Warrantor shall only be liable to the Purchaser for the reasonable and proper costs reasonably and properly incurred by the Purchaser directly in connection with the repair and/or replacement (at the Warrantor's absolute discretion) of the Equipment or any part of the Equipment; and
- (c) The Warrantor's liability to the Purchaser shall notwithstanding any other provision of this Warranty, not in any circumstances exceed the Purchase Price of the Equipment.

07. WARRANTY CLAIMS

7.1 The Purchaser shall in respect of any claim against the Warrantor under this Warranty and within 24 hours of the occurrence of the subject matter of the Warranty Claim:

- (a) Complete in full and submit to the Warrantor a Warranty Claim in the form annexed to Schedule 4;
- (b) Provide date stamped or date identifiable photographs evidencing the claim; and
- (c) Make the Equipment or the relevant part of the Equipment available to the Warrantor for inspection within 48 hours of notification of the relevant Warranty Claim.

08. ENTIRE AGREEMENT

8.1 This Warranty constitutes the entire agreement between the parties and supersedes and extinguishes all previous promises, assurances, warranties, representations and understandings between them, whether written or oral, relating to its subject matter.

8.2 Each party agrees that it shall have no remedies in respect of any statement, representation, assurance or warranty (whether made innocently or negligently) that is not set out in this Warranty. Each party agrees that it shall have no claim for innocent or negligent misrepresentation or negligent misstatement based on any statement in this Warranty.

No variation of this Warranty shall be effective unless it is in writing and signed by the parties (or their authorised representatives).

09. WAIVER

No failure or delay by a party to exercise any right or remedy provided under this Warranty or by law shall constitute a waiver of that or any other right or remedy, nor shall it prevent or restrict the further exercise of that or any other right or remedy. No single or partial exercise of such right or remedy shall prevent or restrict the further exercise of that or any other right or remedy.

10. SEVERANCE

10.1 If any provision or part-provision of this Warranty is or becomes invalid, illegal or unenforceable, it shall be deemed deleted, but that shall not affect the validity and enforceability of the rest of this Warranty.

10.2 If any provision or part-provision of this Warranty is deemed deleted under clause 10.1 the parties shall negotiate in good faith to agree a replacement provision that, to the greatest extent possible, achieves the intended commercial result of the original provision.

11. THIRD PARTY RIGHTS

11.1 This Warranty does not give rise to any rights under the Contracts (Rights of Third Parties) Act 1999 to enforce any term of this Warranty.

12. GOVERNING LAW

12.1 This Warranty and any dispute or claim (including non-contractual disputes or claims) arising out of or in connection with it or its subject matter or formation shall be governed by and construed in accordance with the law of England and Wales.

13. JURISDICTION

13.1 Each party irrevocably agrees that the courts of England and Wales shall have exclusive jurisdiction to settle any dispute or claim (including non-contractual disputes or claims) arising out of or in connection with this Warranty or its subject matter or formation.

EC DECLARATION OF CONFORMITY

IN ACCORDANCE WITH EN ISO 17050-1:2004

Declaration: As defined by the Machinery Directive 2006/42/EC and subsequent amendments

We, CONQUIP ENGINEERING GROUP, herewith declare that the following indicated equipment meets the fundamental health and safety requirements concerning the EU guideline(s), due to their design and manufacture.

This declaration will be rendered null and void if the machine is changed without our approval.

SIGNED:

DATED: 2024

Garry Critchley, Chief Executive Officer

PRODUCT CODES	GENERAL DESCRIPTION / DESIGNATION	WORKING LOAD LIMIT
SS520-01440	Standard Road Plate 1200	N/A
SS520-02880	Standard Road Plate 2400	N/A
SS520AB-02880	Anti-Skid Road Plate	N/A
SS520AC-02880	Centre-Lift Road Plate	N/A
SS520AD-02880	Centre-Lift Road Plate	N/A

ITEM	CODE	DESCRIPTION
EC DIRECTIVE/REGULATION	2006/42/EC	Directive 2006/42/EC- new machinery directive
HARMONISED STANDARDS	BS EN ISO 12100:2010	Safety of machinery General principles for design Risk assessment and risk reduction
OTHER REGULATIONS	LOLER 1998	Lifting Operations and Lifting Equipment Regulations 1998 (LOLER)
	PUWER 1998	Provision and Use of Work Equipment Regulations 1998 (PUWER)

TALKING TO US IS EASY
WE'RE HERE TO HELP

Call us on 0333 300 3470
Email us at sales@cqegroup.com
www.cqegroup.com

