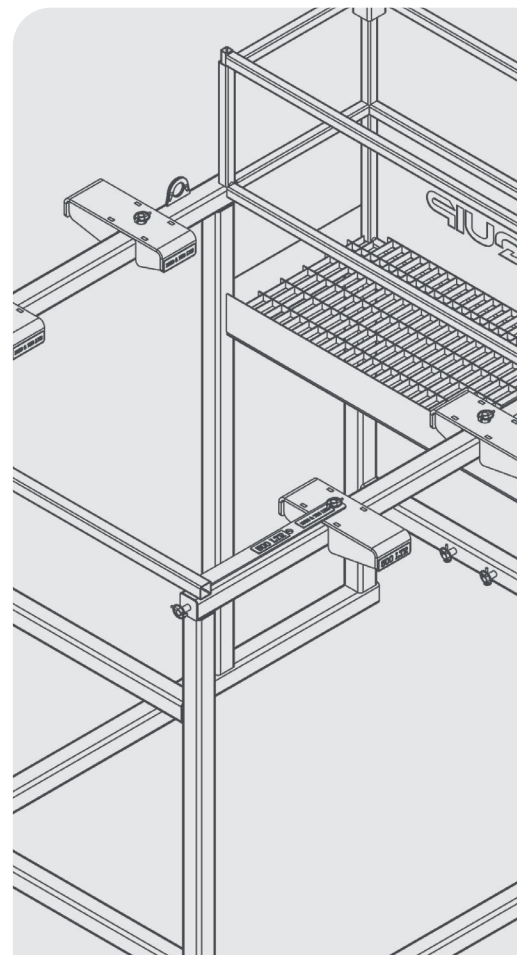


USER GUIDE

# SKIP WASHING PLATFORM



## DISCLAIMER

Do not attempt to handle or operate this equipment before you have received sufficient training. Before use, operatives must have carried out all checks featured on the Visual Inspection Sheet on page 15. It is imperative that you have read the General Safety Instructions on page 16 and sufficiently familiarised yourself with the Operational Procedures in this document.

Note that this item is compliant only to the standards specified in this User Guide and it is therefore the duty of the responsible person(s) to review and ensure compliance.

# CONTENTS

## PRODUCT INFORMATION

INTRODUCTION	04
SPECIFICATION	05
PARTS DIAGRAM	08

## OPERATIONAL PROCEDURES

IMPORTANT USAGE NOTES	10
USAGE INSTRUCTIONS	12

## MAINTENANCE & INSPECTION

MAINTENANCE REGIME	14
VISUAL INSPECTION SHEET	15

## GENERAL SAFETY INSTRUCTIONS

SAFETY INSTRUCTIONS	16
GENERAL NOTES	17

## LEGAL

TERMS AND CONDITIONS	18
EC DECLARATION OF CONFORMITY	22
STANDARDS AND REGULATIONS APPLICABLE	23

# INTRODUCTION

## OVERVIEW

The Conquip Skip Washing Platform facilitates a compact, safe method of washing out concrete skips on site. It allows site operatives to access and use a wash hose or jet-washer to clean the skip, whilst the skip is held in an upright position in the robust frame.

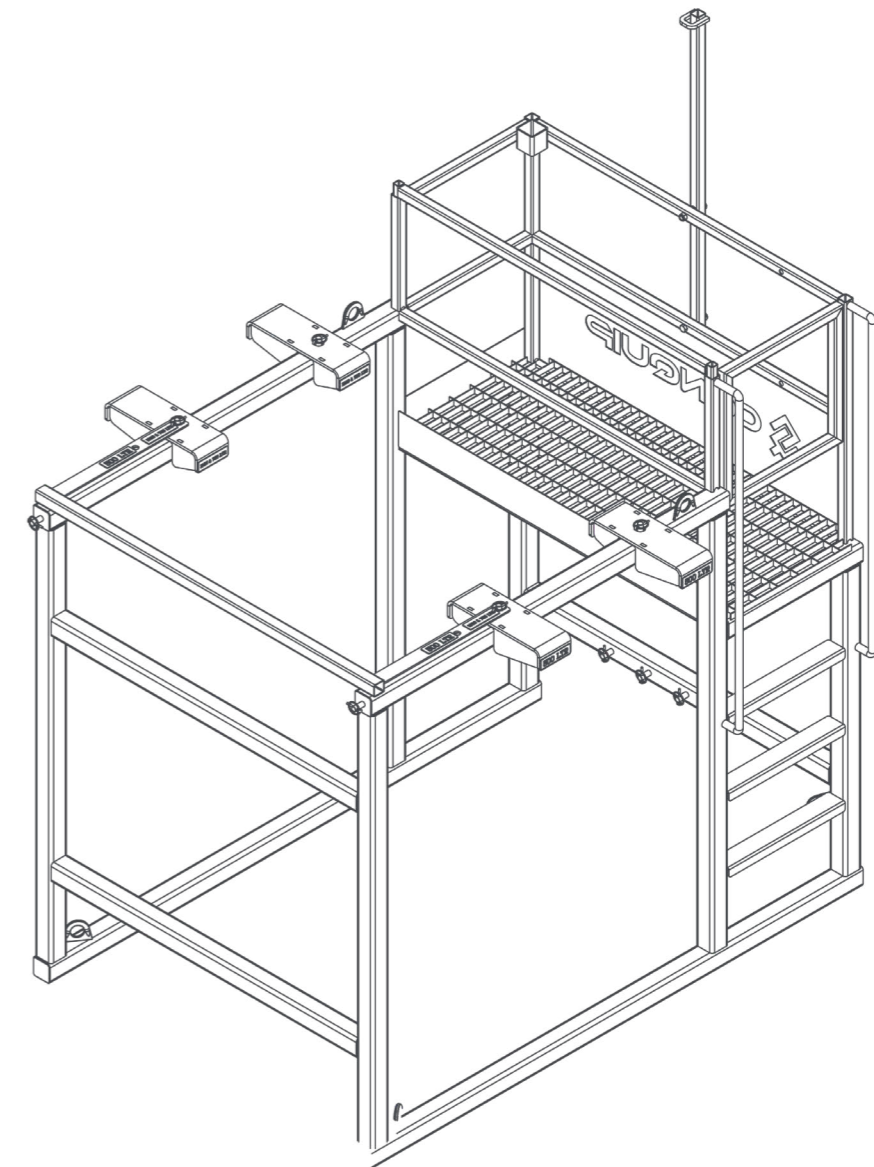
The platform is most often used with a Conquip Skip Washing Platform Drip Tray to contain the concrete wastewater, allowing it to be disposed of in line with the site's environmental regulations.

## KEY BENEFITS

- Regular cleaning of concrete skips prevents deterioration due to build up of dried concrete.
- Compact design of the small platform is ideal for when space is at a premium.
- Small platform compatible with Conquip Column Skips from 500 to 2000 litres.
- Large platform compatible with Conquip Column Skips from 500 to 3000 litres.
- Large platform comes as standard with the Conquip Concrete Washout System.
- Complete with access stairs, handrails and a harness point.
- Reinforced, one-piece, robust frame with lifting points to enable a single crane lift when empty.

# SPECIFICATION

## THE RANGE

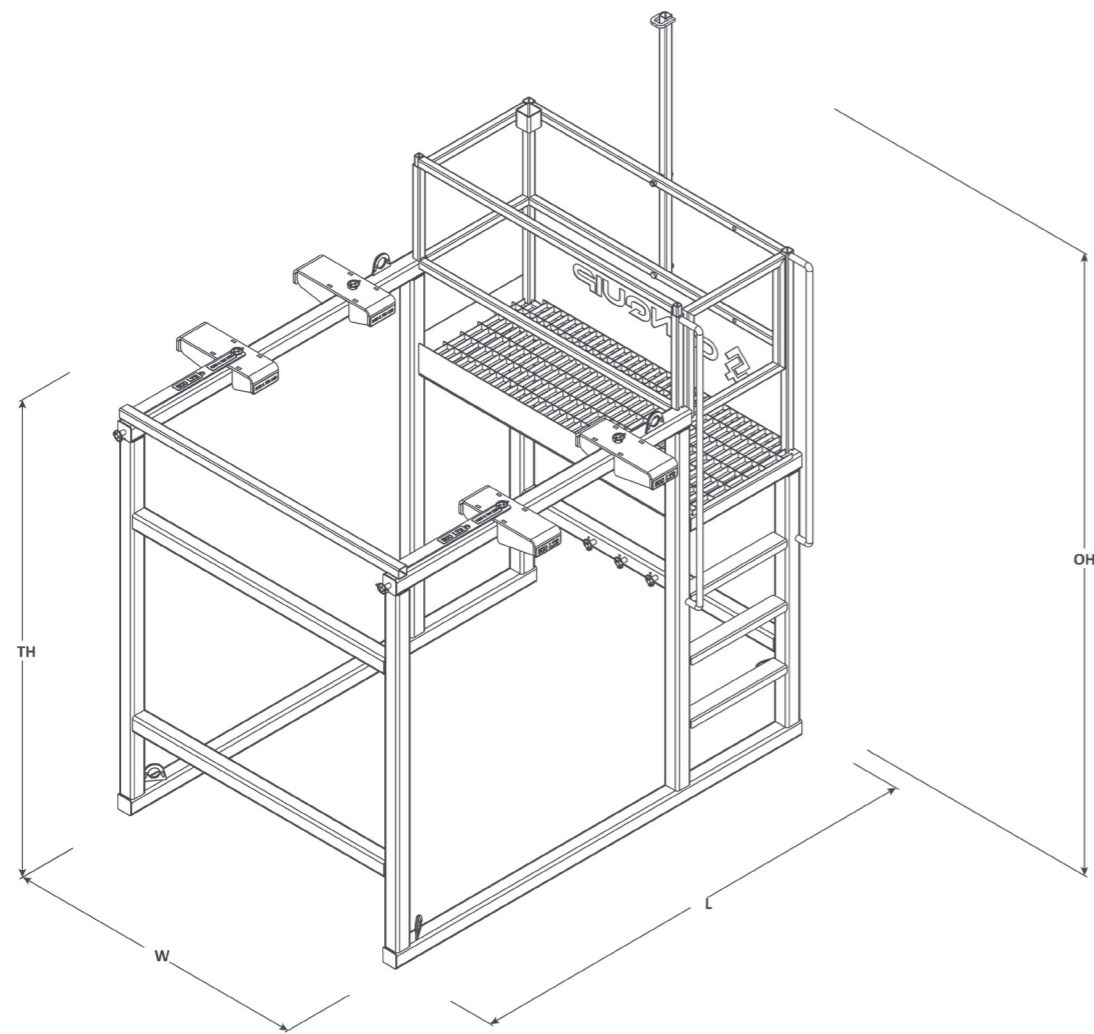


CODE	TYPE	WEIGHT (kg)	WLL* (kg)
CS231	Small Skip Washing Platform	450	Self-Weight
CS241	Large Skip Washing Platform	580	Self-Weight

\*Working Load Limit

# SPECIFICATION

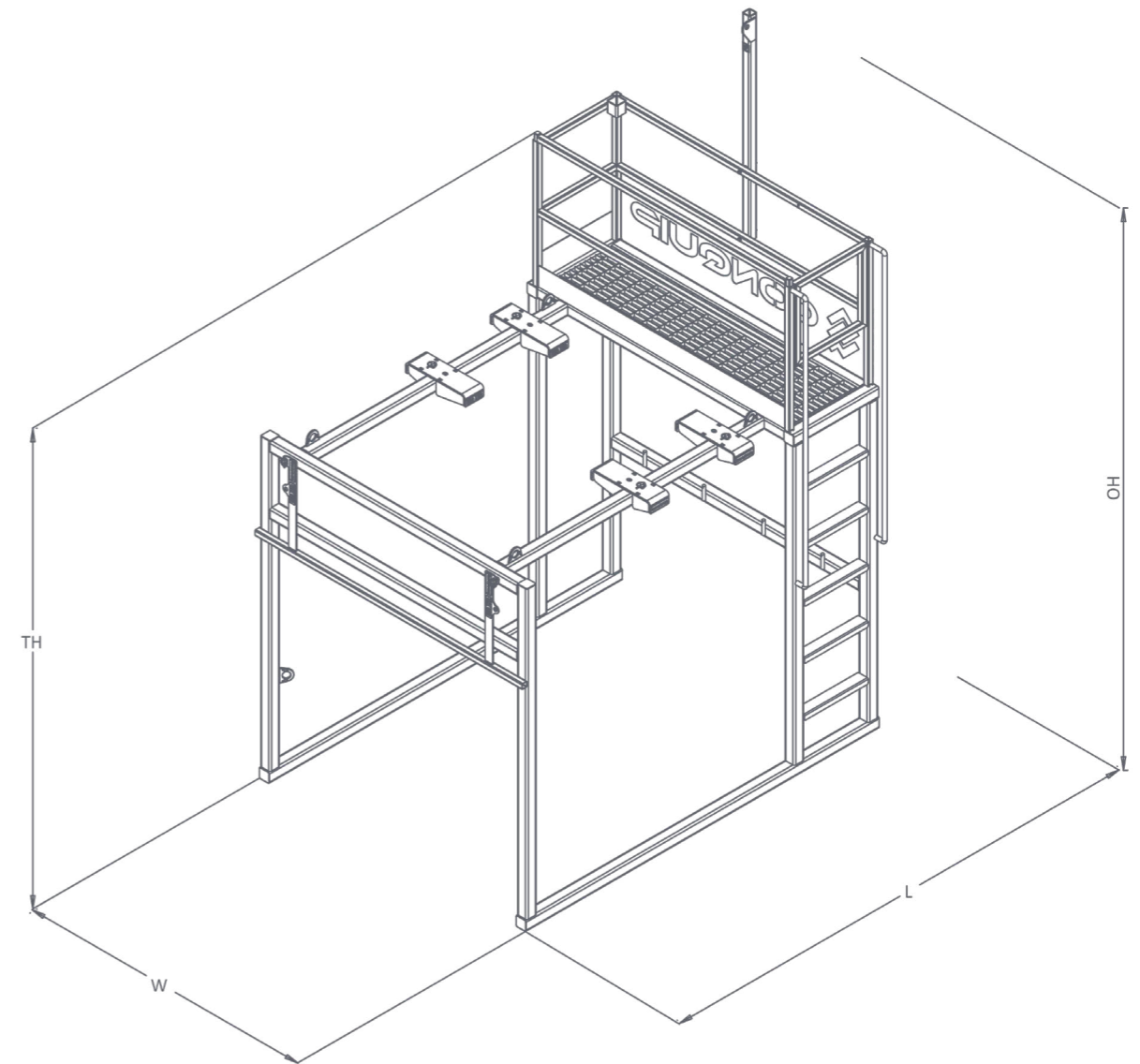
ITEM	PRODUCT CODE
Small Skip Washing Platform	CS231



LENGTH (mm)	WIDTH (mm)	OVERALL HEIGHT (mm)	TRANSPORT HEIGHT (mm)
2455	2100	3215	2475

# SPECIFICATION

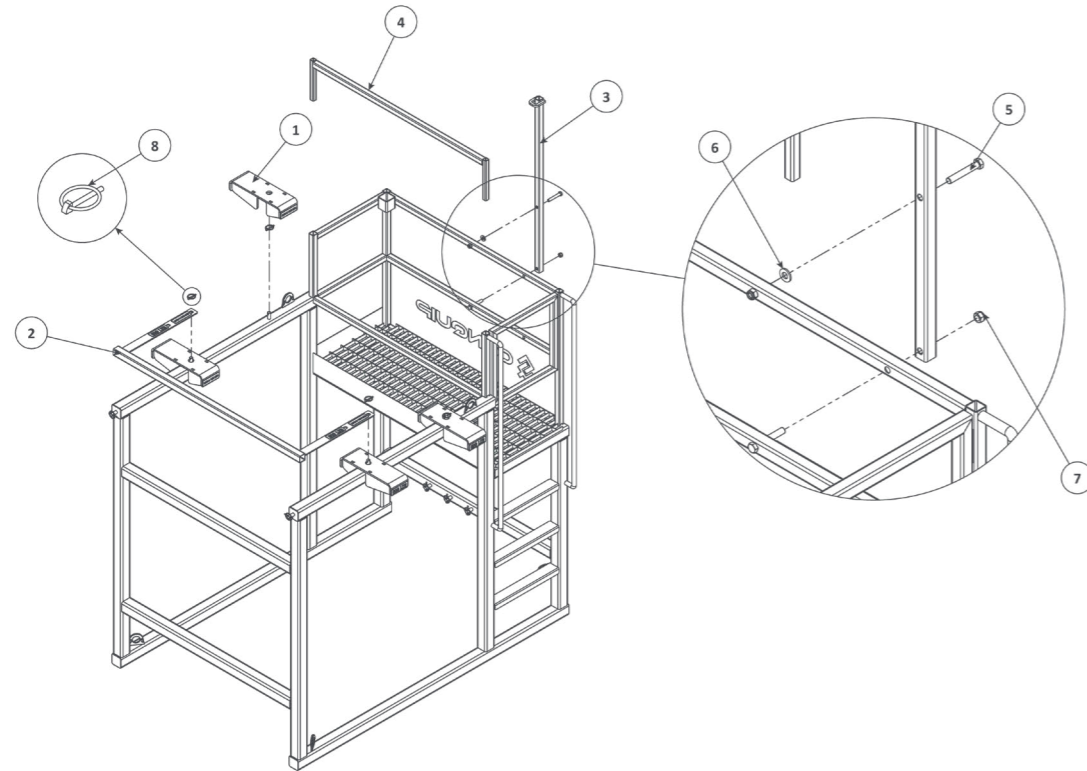
ITEM	PRODUCT CODE
Large Skip Washing Platform	CS241



LENGTH (mm)	WIDTH (mm)	OVERALL HEIGHT (mm)	TRANSPORT HEIGHT (mm)
2910	2210	4395	3374

# PARTS DIAGRAM

## SMALL SKIP WASHING PLATFORM

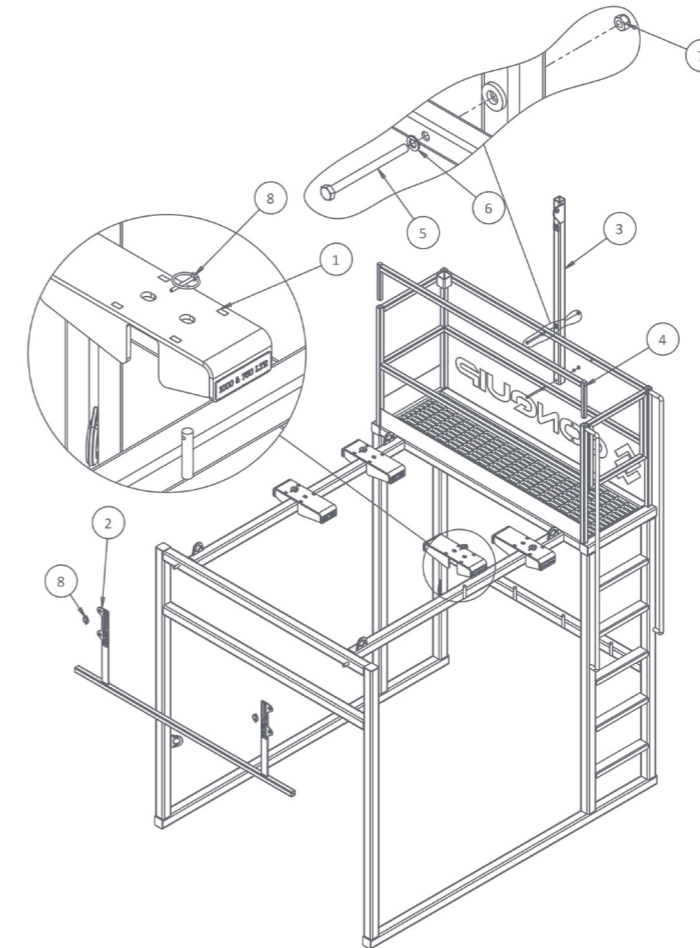


ITEM NUMBER	PART	DESCRIPTION	QUANTITY
1	ZZ120210	Resting Pad	4
2	ZZ120224	Adjustment Crossbar	1
3	ZZ120239	Harness Point	1
4	ZZ120238	Removable Handrail	1
5	NS800835	M16 x 100 Set Screw	2
6	NS800347	M16 Washer	1
7	NS800121	M16 Nyloc Nut	2
8	ZZ990009	Linch Pin 6mm	6

NOTE: These parts are for this model, they may differ for previous versions. Please contact Conquip with any queries.

# PARTS DIAGRAM

## LARGE SKIP WASHING PLATFORM



ITEM NUMBER	PART	DESCRIPTION	QUANTITY
1	ZZ120233	Resting Pad	4
2	ZZ120234	Adjustment Crossbar	1
3	ZZ120235	Harness Point	1
4	ZZ120236	Removable Handrail	1
5	NS800138	M10 x 100 Hex Head Set Screw	2
6	NS800262	M10 Washer	4
7	NS800013	M10 Nyloc Nut	2
8	ZZ990009	Linch Pin 6mm	6

NOTE: These parts are for this model, they may differ for previous versions. Please contact Conquip with any queries.

# OPERATIONAL PROCEDURES

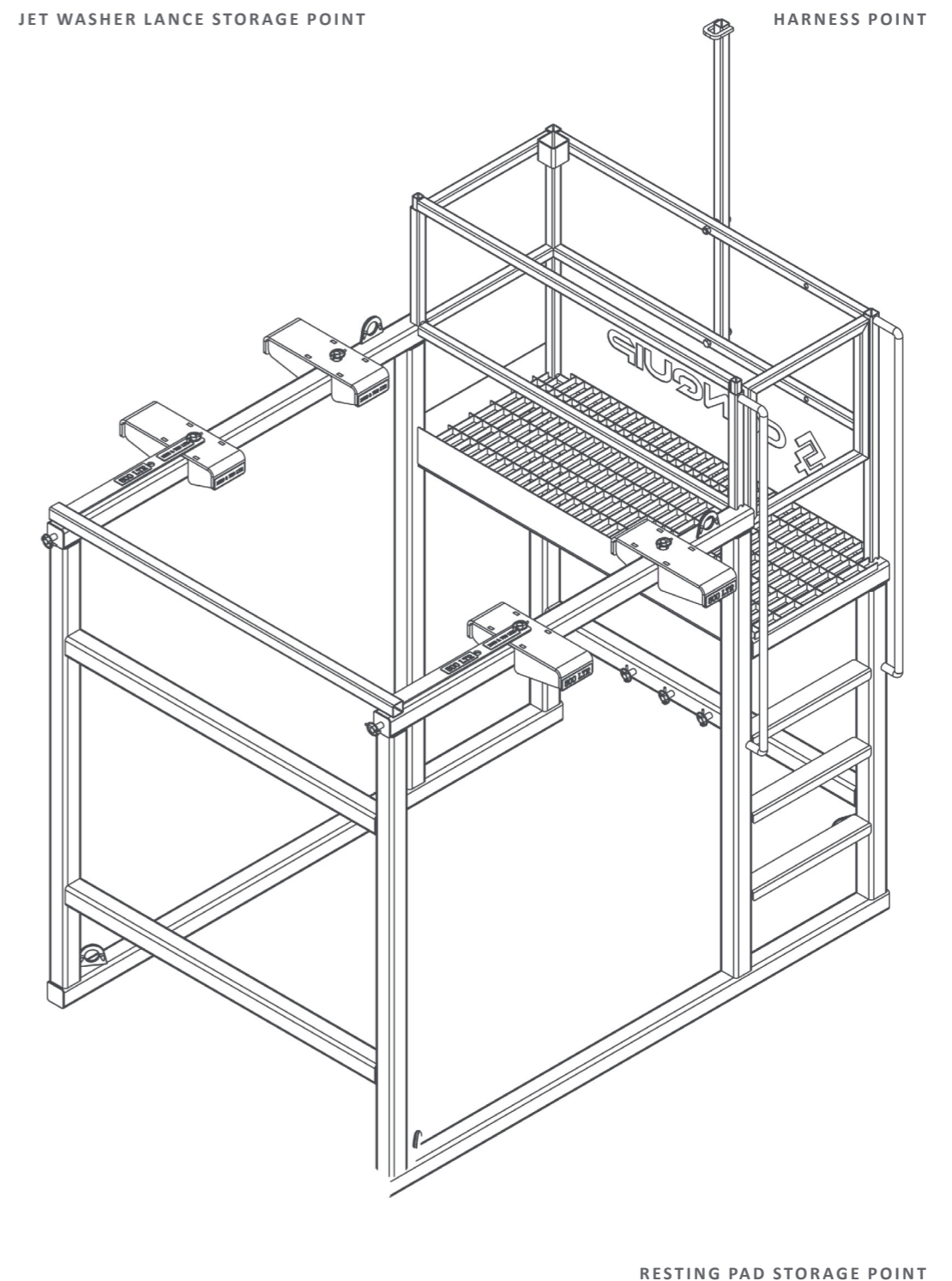
## IMPORTANT USAGE NOTES

- Do not move the skip or lifting apparatus whilst an operator is on the platform. All personnel must remain clear of the platform and area while a skip is being lowered or lifted on to the platform.
- If removing lifting chains from the platform, ensure that you are using a certified access platform for working at height.
- Ensure the harness point is down when the Skip Washing Platform is being transported.
- The use of high pressure washing equipment is subject to additional risk assessment and hazard controls.
- The cleaning process creates wet concrete waste which is a hazardous alkaline compound.

## USAGE INSTRUCTIONS

01. Attach the lifting apparatus to the Skip Washing Platform lifting points, using a suitably rated certified lifting chain. Always ensure that the hook's gate is correctly closed.
02. Crane lift and lower the platform to the designated washout area. Place over a washout tray to contain the waste concrete water.
03. Make sure the frame is stable and on firm, level ground.
04. With the Skip Washing Platform in position, the harness point upright can be moved into position. The central bolt should be loosened slightly, and the outer bolt removed completely. Swing the harness point upright and refit the central bolt to fix it to the mid-rail. Tighten both bolts.
05. The platform can be configured to hold Conquip Concrete Column Skips from 500 to 2000 litre capacities. The configurations must be changed before lifting a skip on to the platform.
06. The configuration is changed with four adjustable resting pads and a restraint bar. The resting pads can be adjusted by removing the linch pins, lifting off the restraint bar and resting pads, rotating the resting pads 180°, so a smaller/ larger length is overhanging into the skip holding area, and replacing the linch pins. For the largest sizes of skip, the resting pads and the restraint bar will need to be removed completely. The labels shown on the resting pads and the restraint bar denote the skip sizes that can be used in that position. Configuration is required for each size of skip. (Fig 2)
07. When not required, the restraint bar and the resting pads can be stored on the end of the Skip Washing Platform, secured with their linch pins through the framework. (Fig 1)
08. With the platform on firm, level ground, configured for the size of skip you wish to clean, and clear of all personnel, the skip can be lifted and lowered into position. The open mouth of the skip should be facing the raised platform.

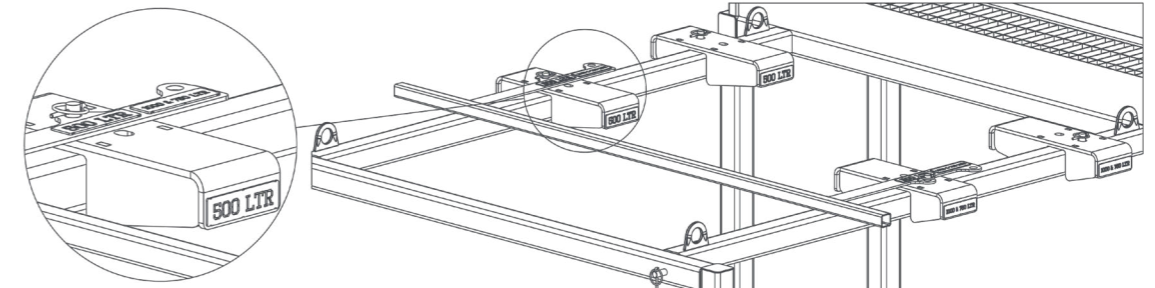
FIG 1



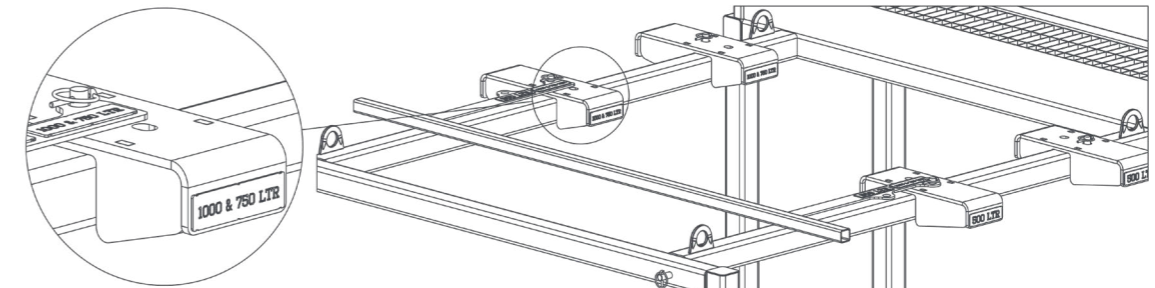
09. Lower the chains or the bale arm, depending on the skip type. If using a column skip with bale arm, ensure the bale arm is lowered to the safe position. Depending on operational requirements and the site risk assessment, the skip can now be detached from the lifting apparatus and chains, or remain attached.
10. Platform operators must wear a suitable safety harness with lanyard, adjusted to fit and attached to the harness point. (Fig 1)
11. The platform front hand rail may be removed and stored in the top of the rear rail to improve access for skip washing, subject to a site-specific risk assessment. The rail should be returned to its original position whenever there is no skip on the platform.
12. The wash hose or jet-washer lance can be stored in the holster attached to the hand rail, but this must be arranged in a safe manner. (Fig 1)
13. Wash the skip as required and ensure all loose waste and water is removed from the skip before it is lifted away from the platform.
14. Exit the platform and remain clear of the area until the skip is lifted away.
15. Lift the skip away from the Skip Washing Platform and clean down the framework.

FIG 2

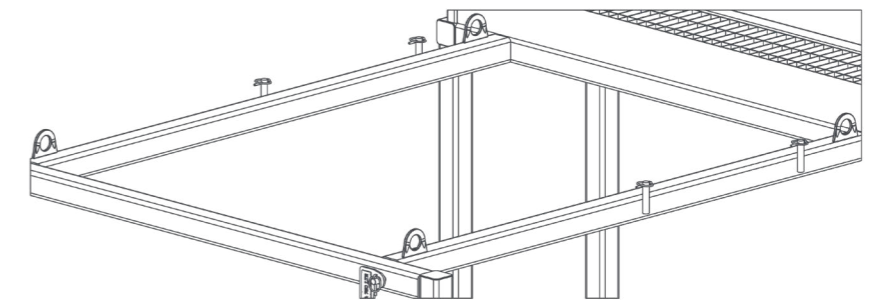
500 LITRE SKIP



750 &amp; 1000 LITRE SKIPS



1500, 2000 &amp; 3000 LITRE SKIPS



# MAINTENANCE & INSPECTION

## MAINTENANCE REGIME

- It is mandatory that the machinery equipment is thoroughly examined regularly, by a qualified engineer, to ensure compliance with relevant regulations. Conquip recommend carrying out a thorough examination every six months.
- This machinery may incorporate various loose and detachable items including, but not limited to pins, bolt assemblies and adaption plates. Refer to the separate requirements for the safe use of those items.
- When not being used, store the unit in a clean, upright condition and in a safe place where it will be protected from thieves and unauthorised users.
- This machinery must be inspected by the responsible person before each use and then regularly, as determined by your risk assessment or working practice. If you have any concerns about the machinery's condition or suitability, do not use it.

## VISUAL INSPECTION CHECKLIST

INSPECTION ITEMS	RESULTS		COMMENTS
	SATISFACTORY	UNSATISFACTORY	
Serial Number			CQ.....
Product Code			
Working Load Limit (Kg)			
Conforms to user guide specification			
Harness point secure			
Handrails secure and not damaged			
Gate working			
Lift points bent or worn			
Adjustment brackets in place			
Adjustment cross bar in place			
Linch pins present			
General visual inspection of the framework			
SIGNATURE			
Name	Position	Qualification	Signature & Date



# GENERAL SAFETY INSTRUCTIONS

The machinery should be properly operated and maintained to keep it in a safe, efficient operating condition. Be sure that all fixings and components are free of mud or other matter that might cause issues hazardous to the operator, serviceman, or other personnel or equipment. Report all malfunctions to those responsible for maintenance, and do not operate the equipment until corrected. Normal service or maintenance performed as required can prevent unexpected and unnecessary downtime.

This operations manual describes general inspections, servicing and operation with the normal safety precautions required for normal servicing and operating conditions. It is not a guide, however, for abnormal conditions or situations, and therefore, servicemen and operators must be safety conscious and alert to recognise potential servicing or operating safety hazards at all times, and take necessary precautions to assure safe servicing and operation of the machine.



**M002**  
Refer to instructions  
manual-booklet



**M004**  
Wear eye protection



**M008**  
Wear safety footwear



**M009**  
Wear protective gloves



**M010**  
Wear protective clothing



**M014**  
Wear head protection



**M015**  
Wear high-visibility  
clothing

## GENERAL NOTES

- Read this operations manual and learn the operating characteristics and limitations of the machinery. Know what operating clearances the machine requires.
- Read and understand all the safety signs prior to operation.
- If the safety signs are obstructed by dirt or debris, clean them using mild soap and water prior to operation.
- If the safety signs are damaged or illegible, replace them immediately, prior to operation.
- Be aware of operating hazards that weather changes can create on the job. Know proper procedures to follow when a severe rain or electrical storm strikes.
- Never attempt to operate or work on machinery when not feeling physically fit.
- Never wear loose clothing, rings, watches, heavy gloves etc., that might catch and result in injury.
- Know what safety equipment is required and use it. Such equipment may be: hard hat, safety glasses, reflector type vests, protective gloves and safety footwear.

# TERMS & CONDITIONS

## CONQUIP ENGINEERING GROUP STANDARD PRODUCT WARRANTY

### 01. COMMENCEMENT

1.1 This Warranty shall commence on the Commencement Date and shall continue until the earlier of:

- (a) the Expiry Date; or
- (b) the date on which it may be voided in accordance with clause 4.1(b)

when it shall terminate automatically without notice.

### 02. DUTY OF GOOD FAITH

2.1 The Purchaser shall in the exercise of its rights under this Warranty and in the compliance with its obligations under this Warranty be subject to and shall in all respects owe and comply with a duty of good faith to the Warrantor.

### 03. NATURE AND EXTENT OF COVER

3.1 Subject to clause 3.2 the Warrantor agrees and undertakes to the Purchaser that it shall be liable to the Purchaser under and in accordance with the terms of this Warranty in the event that:

- (a) prior to the Expiry Date the Purchaser shall notify a Warranty Claim to the Warrantor; and
- (b) the Equipment or any relevant part of the Equipment shall have become unusable as the result of defective material or defective workmanship prior to the Expiry Date.

3.2 The Warrantor's obligation under clause 3.1 shall be expressly subject to the provisions of clauses 4, 5 and 6 and conditional upon the Purchaser's compliance in full with the provisions of clause 7.

### 04. RESTRICTIONS

4.1 The following restrictions apply to this Warranty:

(a) This Warranty is personal to the Purchaser and neither the legal benefit nor legal burden of this warranty may be assigned or novated or otherwise transferred by the Purchaser to any other party. Any purported assignment, novation or transfer shall not be binding upon the Warrantor.

(b) This Warranty shall be void in the event that the Purchaser:

(i) cannot provide authentic and original documentary evidence that the Purchaser has during the period between the Commencement Date and the Expiry Date complied with the Maintenance and Servicing Requirements; and/or

(ii) has, during the period between the Commencement Date and the Expiry Date, exceeded the Purchaser's Usage Cycle Parameters; and/or

(iii) has, during the period between the Commencement Date and the Expiry Date, exceeded the Purchaser's Use Parameters; and/or

(iv) has carried out, or procured the carrying out by any third party of, any repair to the Equipment or any part of the Equipment which is not an Authorised Repair; and/or

(v) has operated the Equipment after having replaced any part of the Equipment with a part which has not been supplied and fitted by the Warrantor; and/or

(vi) has modified the Equipment in any way prior to use.

### 05. EXCLUSIONS

5.1 The following are excluded from the scope of this Warranty:

(a) Loss of and/ or damage to the Equipment or any part of it resulting from any collision between the Equipment and any other fixed or stationary or mobile object whatsoever, irrespective of whether that collision was or was not caused by the Purchaser; and/or

(b) Loss of and/or damage to any personal property and/or possessions or other equipment not forming part of the Equipment but which is present in or about the Equipment; and/or

(c) loss and/or damage which is covered by any other insurance policy taken out and maintained by the Purchaser or in respect of which the Purchaser has a contractual obligation to do so; and/or

(d) loss and/or damage to the equipment which is consistent with the use by the Purchaser of the Equipment:

(i) in compliance with the Maintenance and Servicing Requirements; and

(ii) in compliance with the Usage Cycle Parameters; and

(iii) in compliance with the Use Parameters; and

(iv) having only carried out Authorised Repairs to the Equipment; and

(v) having all and any replacement parts fitted by the Warrantor; and

(vi) in unmodified form.

## 06. LIMITATION OF LIABILITY

6.1 The Warrantor's liability to the Purchaser shall be limited as follows:

- (a) The Warrantor shall not in any circumstances be liable to the Purchaser for indirect and/or consequential and/or economic loss suffered and/or incurred as the case may be by the Purchaser; and
- (b) The Warrantor shall only be liable to the Purchaser for the reasonable and proper costs reasonably and properly incurred by the Purchaser directly in connection with the repair and/or replacement (at the Warrantor's absolute discretion) of the Equipment or any part of the Equipment; and
- (c) The Warrantor's liability to the Purchaser shall notwithstanding any other provision of this Warranty, not in any circumstances exceed the Purchase Price of the Equipment.

## 07. WARRANTY CLAIMS

7.1 The Purchaser shall in respect of any claim against the Warrantor under this Warranty and within 24 hours of the occurrence of the subject matter of the Warranty Claim:

- (a) Complete in full and submit to the Warrantor a Warranty Claim in the form annexed to Schedule 4;
- (b) Provide date stamped or date identifiable photographs evidencing the claim; and
- (c) Make the Equipment or the relevant part of the Equipment available to the Warrantor for inspection within 48 hours of notification of the relevant Warranty Claim.

## 08. ENTIRE AGREEMENT

8.1 This Warranty constitutes the entire agreement between the parties and supersedes and extinguishes all previous promises, assurances, warranties, representations and understandings between them, whether written or oral, relating to its subject matter.

8.2 Each party agrees that it shall have no remedies in respect of any statement, representation, assurance or warranty (whether made innocently or negligently) that is not set out in this Warranty. Each party agrees that it shall have no claim for innocent or negligent misrepresentation or negligent misstatement based on any statement in this Warranty.

No variation of this Warranty shall be effective unless it is in writing and signed by the parties (or their authorised representatives).

## 09. WAIVER

No failure or delay by a party to exercise any right or remedy provided under this Warranty or by law shall constitute a waiver of that or any other right or remedy, nor shall it prevent or restrict the further exercise of that or any other right or remedy. No single or partial exercise of such right or remedy shall prevent or restrict the further exercise of that or any other right or remedy.

## 10. SEVERANCE

10.1 If any provision or part-provision of this Warranty is or becomes invalid, illegal or unenforceable, it shall be deemed deleted, but that shall not affect the validity and enforceability of the rest of this Warranty.

10.2 If any provision or part-provision of this Warranty is deemed deleted under clause 10.1 the parties shall negotiate in good faith to agree a replacement provision that, to the greatest extent possible, achieves the intended commercial result of the original provision.

## 11. THIRD PARTY RIGHTS

11.1 This Warranty does not give rise to any rights under the Contracts (Rights of Third Parties) Act 1999 to enforce any term of this Warranty.

## 12. GOVERNING LAW

12.1 This Warranty and any dispute or claim (including non-contractual disputes or claims) arising out of or in connection with it or its subject matter or formation shall be governed by and construed in accordance with the law of England and Wales.

## 13. JURISDICTION

13.1 Each party irrevocably agrees that the courts of England and Wales shall have exclusive jurisdiction to settle any dispute or claim (including non-contractual disputes or claims) arising out of or in connection with this Warranty or its subject matter or formation.

# EC DECLARATION OF CONFORMITY

## IN ACCORDANCE WITH EN ISO 17050-1:2004

Declaration: As defined by the Machinery Directive 2006/42/EC and subsequent amendments

We, CONQUIP ENGINEERING GROUP, herewith declare that the following indicated equipment meets the fundamental health and safety requirements concerning the EU guideline(s), due to their design and manufacture.

This declaration will be rendered null and void if the machine is changed without our approval.

**SIGNED:**

**DATED: 2024**

Garry Critchley, Managing Director

PRODUCT CODES	GENERAL DESCRIPTION / DESIGNATION	WORKING LOAD LIMIT
CS231	Small Skip Washing Platform	Self-Weight
CS241	Large Skip Washing Platform	Self-Weight

ITEM	CODE	DESCRIPTION
<b>EC DIRECTIVE/REGULATION</b>	2006/42/EC	Directive 2006/42/EC- new machinery directive
<b>HARMONISED STANDARDS</b>	BS EN ISO 12100:2010	Safety of machinery General principles for design Risk assessment and risk reduction
<b>OTHER REGULATIONS</b>	LOLER 1998	Lifting Operations and Lifting Equipment Regulations 1998 (LOLER)
	PUWER 1998	Provision and Use of Work Equipment Regulations 1998 (PUWER)

TALKING TO US IS EASY  
**WE'RE HERE TO HELP**

Call us on 0333 300 3470  
Email us at [sales@cqegroup.com](mailto:sales@cqegroup.com)  
[www.cqegroup.com](http://www.cqegroup.com)

