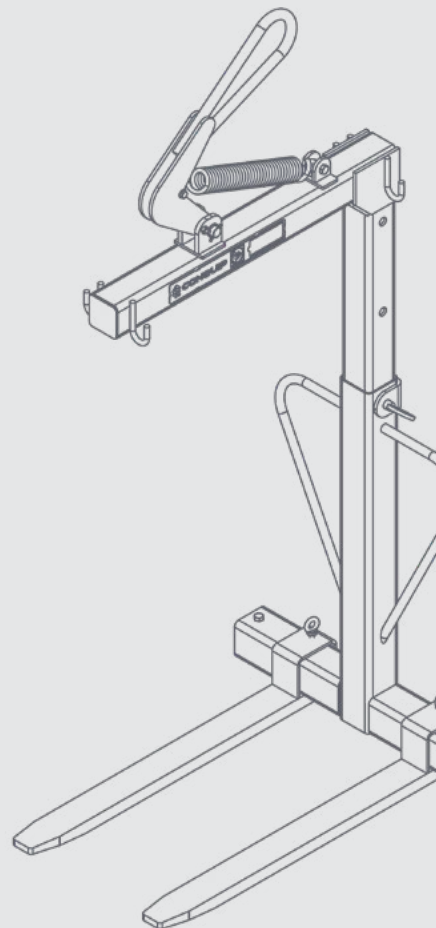


USER GUIDE

CRANE FORKS



DISCLAIMER

Do not attempt to handle or operate this equipment before you have received sufficient training. Before use, operatives must have carried out all checks featured on the Visual Inspection Sheet on page 15. It is imperative that you have read the General Safety Instructions on page 16 and sufficiently familiarised yourself with the Operational Procedures in this document.

Note that this item is compliant only to the standards specified in this User Guide and it is therefore the duty of the responsible person(s) to review and ensure compliance.

CONTENTS

PRODUCT INFORMATION

INTRODUCTION	04
SPECIFICATION	05
PARTS DIAGRAM	08

OPERATIONAL PROCEDURES

IMPORTANT USAGE NOTES	10
ADJUSTING THE TELESCOPIC CRANE FORKS HEIGHT	10
LIFTING WITH A CRANE FORKS CAGE	11
LIFTING WITH A SAFETY RESTRAINT NET	11

MAINTENANCE & INSPECTION

MAINTENANCE REGIME	14
VISUAL INSPECTION SHEET	15

GENERAL SAFETY INSTRUCTIONS

SAFETY INSTRUCTIONS	16
GENERAL NOTES	17

LEGAL

TERMS AND CONDITIONS	18
EC DECLARATION OF CONFORMITY	22
STANDARDS AND REGULATIONS APPLICABLE	23

INTRODUCTION

OVERVIEW

Conquip Crane Forks have been designed to lift packs of bricks and blocks. The attachment has adjustable forks and hooks on the frame allow a safety restraint net to be attached.

There are two models of Crane Forks – fixed height or telescopic height. Fixed height Crane Forks cannot be adjusted and are designed to lift standard height pallets. Telescopic Crane Forks can be adjusted to accommodate varying load heights, making them ideal for lifting larger pallets. The load height of these forks can be adjusted from 1100mm to 1600mm.

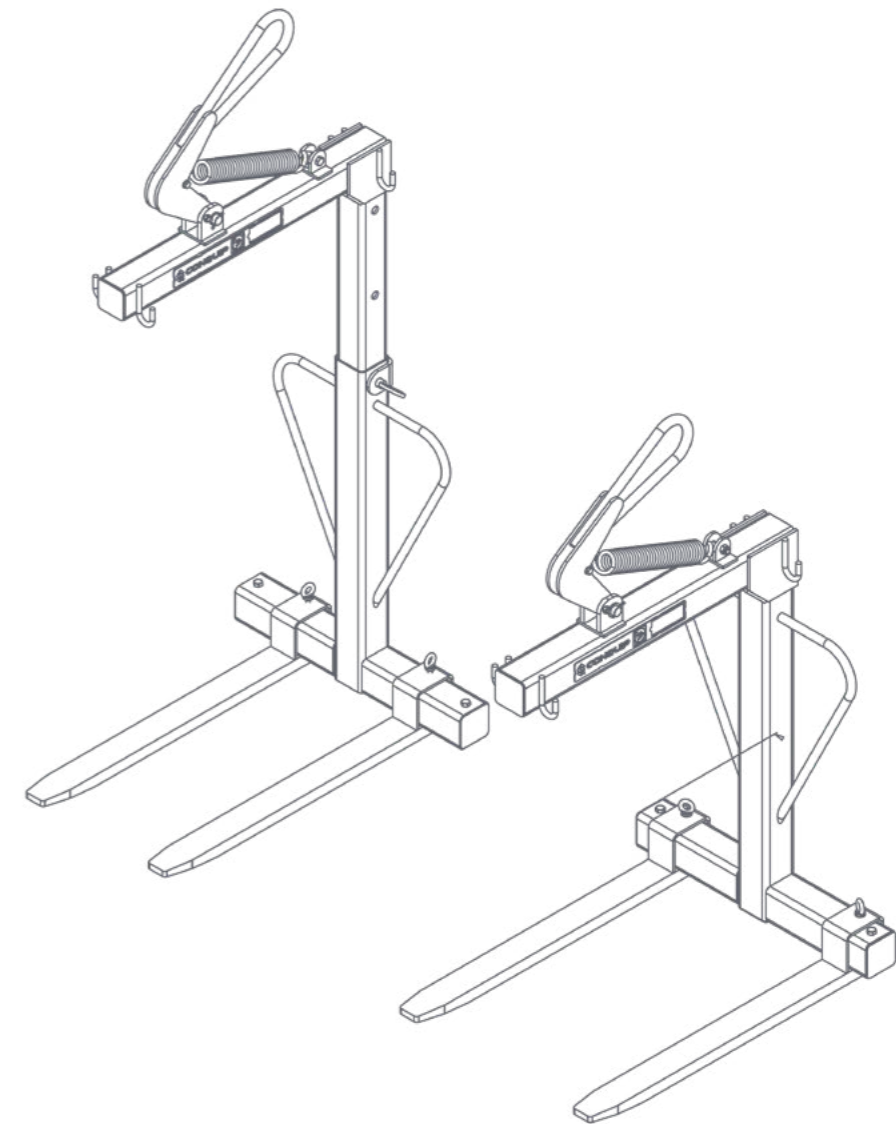
Conquip advise using the Crane Forks with the Crane Forks Cage for a fail-safe lift. As a minimum, Crane Forks must be used with a safety restraint net.

KEY BENEFITS

- Fully self levelling, even when unloaded, making storage of forks easy and safe.
- Fixed height and telescopic (adjustable) height versions available.
- Adjustable height of the telescopic version accommodates varying load heights.
- Compatible with the Conquip Crane Forks Cage for fail-safe lifts.

SPECIFICATION

THE RANGE

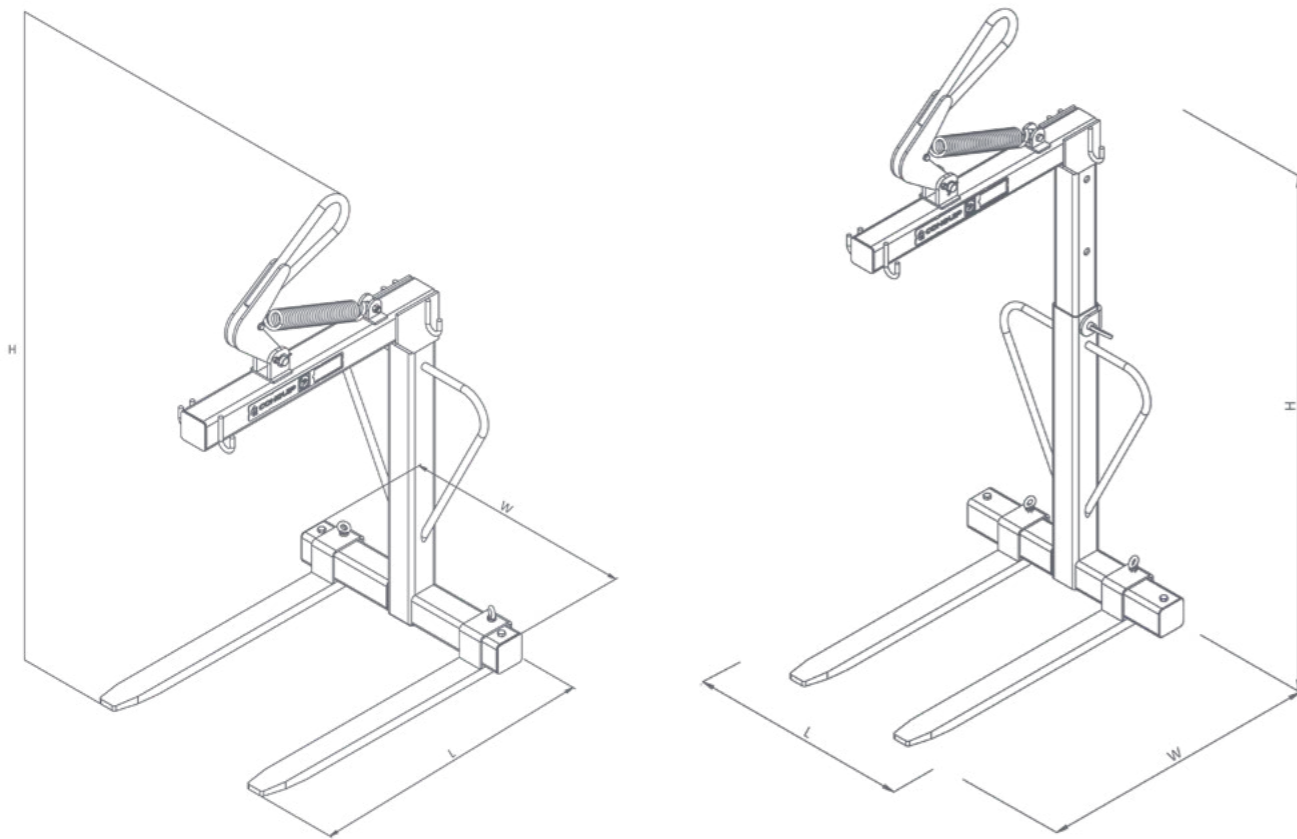


CODE	TYPE	WEIGHT (kg)	WLL* (kg)
CA102AE-02000	Fixed Height	150kg	2000
CA103-02000	Telescopic Height	190kg	2000

*Working Load Limit

SPECIFICATION

ITEM	PRODUCT CODE
Fixed Height	CA102AE-02000
Telescopic Height	CA103-02000



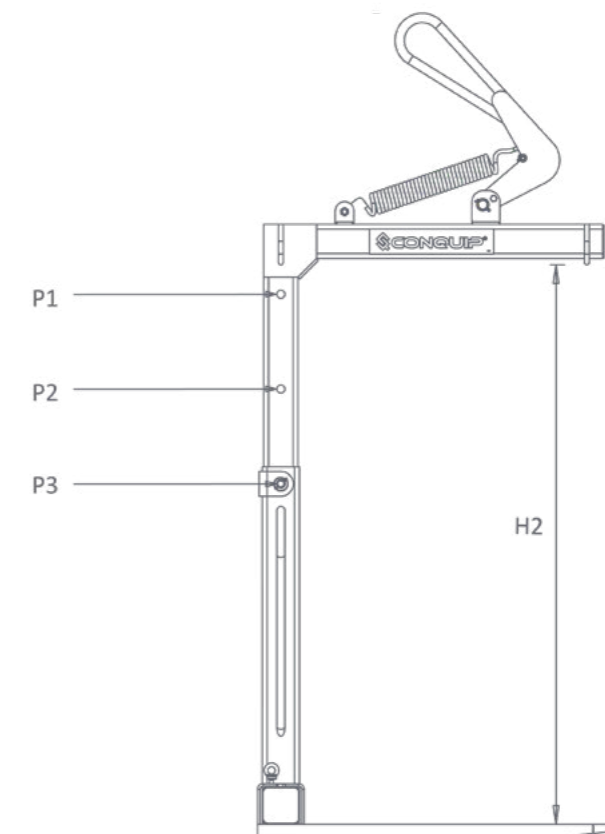
LENGTH (mm)	WIDTH (mm)	HEIGHT (mm)	MIN HEIGHT (mm)
1180mm	940mm	1960mm	N/A
1200mm	950mm	2600mm	1975mm

FORK LENGTH (mm)	MIN FORK WIDTH (mm)	MAX FORK WIDTH (mm)	FORK THICKNESS (mm)
1030mm	830mm	330mm	100mm
1030mm	830mm	330mm	100mm

SPECIFICATION

CLEARANCE AREA

ITEM	PRODUCT CODE
Fixed Height	CA102AE-02000
Telescopic Height	CA103-02000

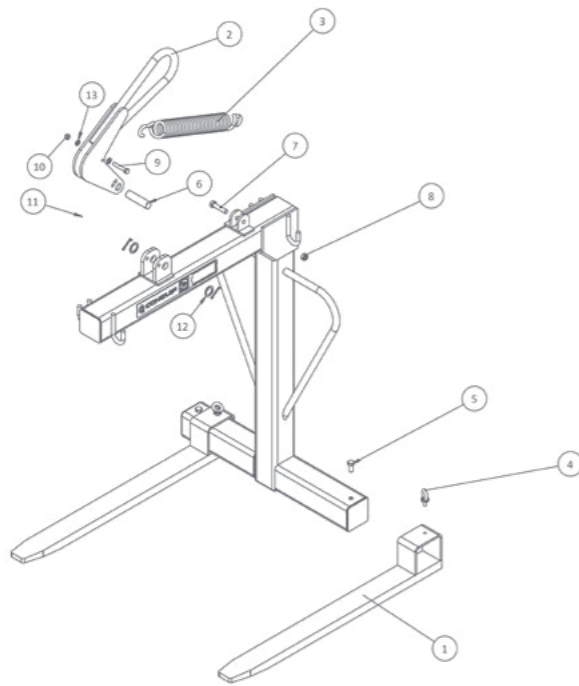


H2 (mm)	P1 (mm)	P2 (mm)	P3 (mm)
1200	N/A	N/A	N/A
1210	1210	1510	1800

NOTE: This table shows the clearance area (H2) at the available adjustment increments (P1, P2, P3) on the telescopic model.

PARTS DIAGRAM

FIXED CRANE FORKS

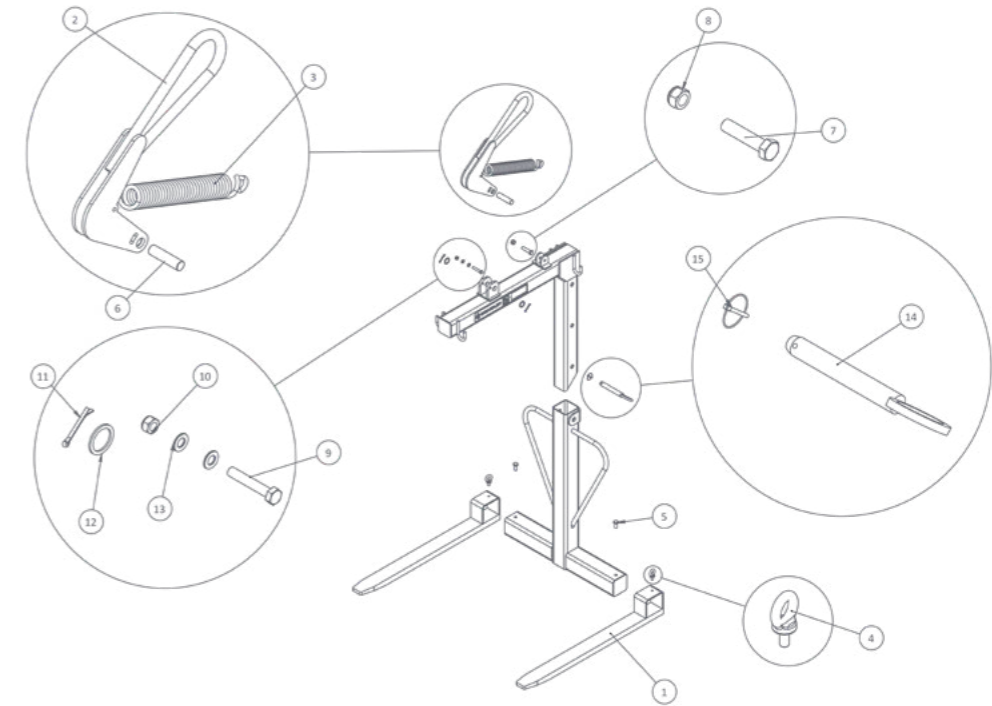


ITEM NUMBER	PART	DESCRIPTION	QUANTITY
1	ZZ280000	Fork Tine	2
2	ZZ280002	Lifting Eye Assembly	1
3	ZZ280008	Spring	1
4	ZZ280007	Fork Retaining Screw M16	2
5	NS800853	M16 x 35 Hex Head Set Screw	2
6	ZZ280005	Lifting Eye Pivot	1
7	NS800852	M16 x 75 Hex Head Set Screw	1
8	NS800121	M16 Nyloc Nut	1
9	NS800852	M12 x 75 Hex Head Set Screw	1
10	NS800121	M16 Nyloc Nut	2
11	ZZ990375	4mm Split Pin	2
12	NS800895	M30 Washer	2
13	NS800347	M16 Washer	2

NOTE: These parts are for this model, they may differ for previous versions. Please contact Conquip with any queries.

PARTS DIAGRAM

TELESCOPIC CRANE FORKS



ITEM NUMBER	PART	DESCRIPTION	QUANTITY
1	ZZ280000	Fork Tine	2
2	ZZ280002	Lifting Eye Assembly	1
3	ZZ280008	Spring	1
4	ZZ280007	Fork Retaining Screw M16	2
5	NS800853	M16 x 35 Hex Head Bolt	2
6	ZZ280005	Lifting Eye Pivot	1
7	NS800852	M16 x 75 Hex Head Bolt	1
8	NS800121	M16 Nyloc Nut	1
9	NS800852	M16 x 75 Hex Head Bolt	1
10	NS800121	M16 Nyloc Nut	2
11	ZZ990375	4mm Split Pin	2
12	NS800895	M30 Washer	2
13	NS800347	M16 Washer	2
14	ZZ290000	Telescopic Pin Lock	1
15	ZZ990010	4.5mm Linch Pin	1

NOTE: These parts are for this model, they may differ for previous versions. Please contact Conquip with any queries.

OPERATIONAL PROCEDURES

IMPORTANT USAGE NOTES

- Do not drag the load; this equipment is for lifting the load clear of the ground.
- The Crane Forks' unique design ensures that the load will always be kept level by the automatic self levelling suspension arm.
- Do not allow hands or feet to come between, or below, the forks and the load.
- Never use without some method of restraint. Conquip recommend the use of the Conquip Crane Forks Cage.

PREPARATION

Ensure the work area is clear of all obstructions. Check that the Crane Forks are suitably rated to lift the load and are of the correct size. Ensure there is adequate room around the unit for the operator to work safely.

USAGE INSTRUCTIONS

01. Attach the lifting equipment's hook to the suspension arm's lifting eye. Always ensure that the hook's gate is correctly closed.
02. Now adjust the position of the forks so that they will align with the particular size pallet that you will be lifting. To adjust the fork position, release the collared eye bolt by turning anticlockwise. Re-position the fork, then secure by turning the eye bolt clockwise.
03. Make sure that the forks are positioned at an equal distance from the centre line to prevent the load being unbalanced. Space the forks at the outermost point that the pallet allows, to give maximum stability as the load is lifted.

ADJUSTING TELESCOPIC CRANE FORKS HEIGHT

The telescopic height model can be adjusted to accommodate heights between 1100mm and 1600mm.

It is always mandatory to adjust the forks to suit the load rather than keeping them at the highest setting. To adjust the height, the unit must be attached to the lifting equipment.

01. Raise the lifting hook so that it is supporting, but not lifting, the suspension arm.
02. Remove the 'R' clip, then the main locking pin.
03. Have the lifting equipment raised, or lower the telescopic lifting frame, so that it is positioned at the height required.

04. Carefully insert the locking pin to the nearest locating hole, then replace the 'R' clip. Note: only operate the forks with the original locking pin or 'R' clip fitted.
05. Make sure that the forks are positioned at an equal distance from the centre line to prevent the load being unbalanced.
06. The Crane Forks are now ready to use.

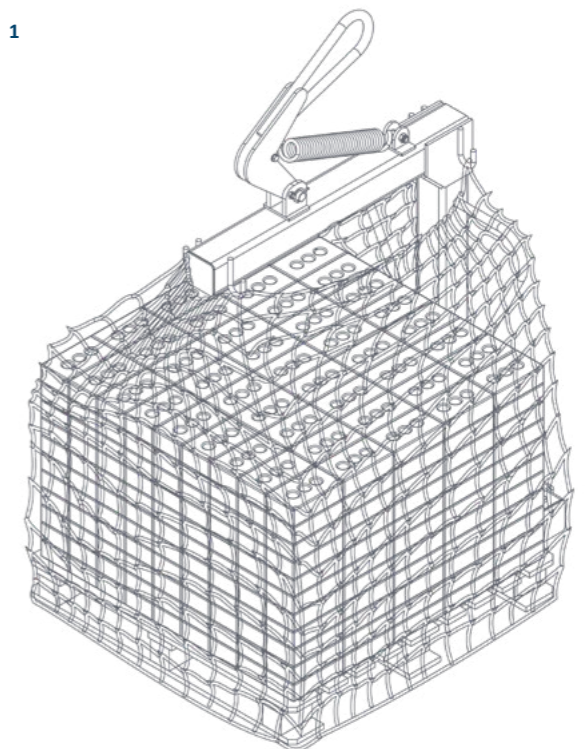
LIFTING WITH A CONQUIP CRANE FORKS CAGE

We advise using the Conquip Crane Forks Cage in conjunction with the Crane Forks for fail-safe transportation of bricks, blocks and other palletised material. Refer to our website or contact Conquip for more information.

LIFTING WITH A CONQUIP SAFETY RESTRAINT NET

01. Set the forks to the correct width to suit the size of the pallet.
02. Secure any palletised load to the pallet, not simply sitting on it. The load must not be lifted without being secure.
03. Carefully manoeuvre the unit under the pallet with the forks inserted as far as they will go. The load length must not be greater than the forks.
04. Raise the load just above the ground and check that the load is central to the forks and correctly balanced.
05. Whilst the load is being held off the ground, fix the Safety Restraint Net. Wrap the net under and around the loaded Crane Forks and secure it to the hooks on the frame, not the safety handles. Only use the designated net supplied with the product.
06. Once the net is secured and the load is safe, proceed to move the load to its required position.
07. Move slowly and carefully; do not jolt the load.
08. When in position, lower the load until it is just above the ground. Unhook the Safety Restraint Net from the hooks at the top of the Crane Forks and pull the net out from under the load. Do not enter the zone below the suspended load.
09. After removing the Safety Restraint

FIG 1



Net, continue to lower the load to the ground. Do not lift again if the net has been removed. Once lowered, move the Crane Forks backwards and clear of the pallet.

10. You can now proceed to the next load.
11. With the Crane Forks free of any load, lower it to the ground.
12. Release the lifting equipment's hook and move it clear.

MAINTENANCE & INSPECTION

MAINTENANCE REGIME

- It is mandatory that the machinery equipment is thoroughly examined regularly, by a qualified engineer, to ensure compliance with relevant regulations. Conquip recommend carrying out a thorough examination every six months.
- This machinery may incorporate various loose and detachable items including, but not limited to pins, bolt assemblies and adaption plates. Refer to the separate requirements for the safe use of those items.
- When not being used, store the unit in a clean, upright condition and in a safe place where it will be protected from thieves and unauthorised users.
- This machinery must be inspected by the responsible person before each use and then regularly, as determined by your risk assessment or working practice. If you have any concerns about the equipment's condition or suitability, do not use it.

FIG 2.1

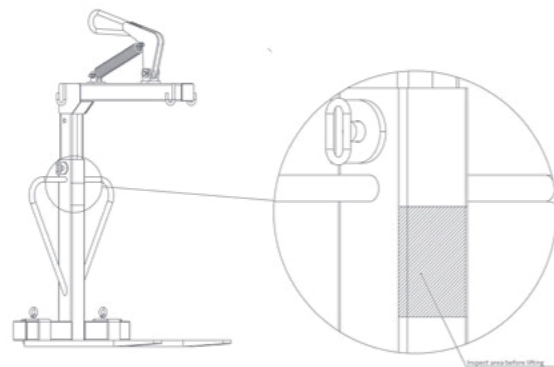
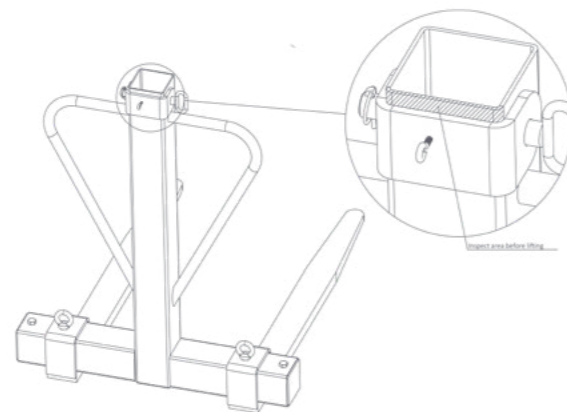


FIG 2.2



VISUAL INSPECTION CHECKLIST

INSPECTION ITEMS	RESULTS		COMMENTS
	SATISFACTORY	UNSATISFACTORY	
Serial Number			CQ.....
Product Code			
Working Load Limit (Kg)			
Conforms to user guide specification			
Lift eye bent or worn			
Lift points secure			
Lift eye stop damaged			
Lift spring damaged or stretched			
Net hooks bent			
Fork tines bent/ retaining bolts present			
Bulging/distortion in box section (Fig 2.1 & Fig 2.2)			
Cracks/splitting in shaded area (Fig 2.1 & Fig 2.2)			
General visual inspection of the body			
SIGNATURE			
Name	Position	Qualification	Signature & Date

GENERAL SAFETY INSTRUCTIONS

The machinery should be properly operated and maintained to keep it in a safe, efficient operating condition. Be sure that all fixings and components are free of mud or other matter that might cause issues hazardous to the operator, serviceman, or other personnel or equipment. Report all malfunctions to those responsible for maintenance, and do not operate the equipment until corrected. Normal service or maintenance performed as required can prevent unexpected and unnecessary downtime.

This operations manual describes general inspections, servicing and operation with the normal safety precautions required for normal servicing and operating conditions. It is not a guide, however, for abnormal conditions or situations, and therefore, servicemen and operators must be safety conscious and alert to recognise potential servicing or operating safety hazards at all times, and take necessary precautions to assure safe servicing and operation of the machine.



M002
Refer to instructions manual



M004
Wear eye protection



M008
Wear safety footwear



M009
Wear protective gloves



M010
Wear protective clothing



M014
Wear head protection



M015
Wear high-visibility clothing

GENERAL NOTES

- Read this operations manual and learn the operating characteristics and limitations of the machinery. Know what operating clearances the machine requires.
- Read and understand all the safety signs prior to operation.
- If the safety signs are obstructed by dirt or debris, clean them using mild soap and water prior to operation.
- If the safety signs are damaged or illegible, replace them immediately, prior to operation.
- Be aware of operating hazards that weather changes can create on the job. Know proper procedures to follow when a severe rain or electrical storm strikes.
- Never attempt to operate or work on machinery when not feeling physically fit.
- Never wear loose clothing, rings, watches, heavy gloves etc., that might catch and result in injury.
- Know what safety equipment is required and use it. Such equipment may be: hard hat, safety glasses, reflector type vests, protective gloves and safety footwear.

TERMS & CONDITIONS

CONQUIP ENGINEERING GROUP STANDARD PRODUCT WARRANTY

01. COMMENCEMENT

1.1 This Warranty shall commence on the Commencement Date and shall continue until the earlier of:

- (a) the Expiry Date; or
- (b) the date on which it may be voided in accordance with clause 4.1(b)

when it shall terminate automatically without notice.

02. DUTY OF GOOD FAITH

2.1 The Purchaser shall in the exercise of its rights under this Warranty and in the compliance with its obligations under this Warranty be subject to and shall in all respects owe and comply with a duty of good faith to the Warrantor.

03. NATURE AND EXTENT OF COVER

3.1 Subject to clause 3.2 the Warrantor agrees and undertakes to the Purchaser that it shall be liable to the Purchaser under and in accordance with the terms of this Warranty in the event that:

- (a) prior to the Expiry Date the Purchaser shall notify a Warranty Claim to the Warrantor; and
- (b) the Equipment or any relevant part of the Equipment shall have become unusable as the result of defective material or defective workmanship prior to the Expiry Date.

3.2 The Warrantor's obligation under clause 3.1 shall be expressly subject to the provisions of clauses 4, 5 and 6 and conditional upon the Purchaser's compliance in full with the provisions of clause 7.

04. RESTRICTIONS

4.1 The following restrictions apply to this Warranty:

(a) This Warranty is personal to the Purchaser and neither the legal benefit nor legal burden of this warranty may be assigned or novated or otherwise transferred by the Purchaser to any other party. Any purported assignment, novation or transfer shall not be binding upon the Warrantor.

(b) This Warranty shall be void in the event that the Purchaser:

(i) cannot provide authentic and original documentary evidence that the Purchaser has during the period between the Commencement Date and the Expiry Date complied with the Maintenance and Servicing Requirements; and/or

(ii) has, during the period between the Commencement Date and the Expiry Date, exceeded the Purchaser's Usage Cycle Parameters; and/or

(iii) has, during the period between the Commencement Date and the Expiry Date, exceeded the Purchaser's Use Parameters; and/or

(iv) has carried out, or procured the carrying out by any third party of, any repair to the Equipment or any part of the Equipment which is not an Authorised Repair; and/or

(v) has operated the Equipment after having replaced any part of the Equipment with a part which has not been supplied and fitted by the Warrantor; and/or

(vi) has modified the Equipment in any way prior to use.

05. EXCLUSIONS

5.1 The following are excluded from the scope of this Warranty:

(a) Loss of and/ or damage to the Equipment or any part of it resulting from any collision between the Equipment and any other fixed or stationary or mobile object whatsoever, irrespective of whether that collision was or was not caused by the Purchaser; and/or

(b) Loss of and/or damage to any personal property and/or possessions or other equipment not forming part of the Equipment but which is present in or about the Equipment; and/or

(c) loss and/or damage which is covered by any other insurance policy taken out and maintained by the Purchaser or in respect of which the Purchaser has a contractual obligation to do so; and/or

(d) loss and/or damage to the equipment which is consistent with the use by the Purchaser of the Equipment:

(i) in compliance with the Maintenance and Servicing Requirements; and

(ii) in compliance with the Usage Cycle Parameters; and

(iii) in compliance with the Use Parameters; and

(iv) having only carried out Authorised Repairs to the Equipment; and

(v) having all and any replacement parts fitted by the Warrantor; and

(vi) in unmodified form.

06. LIMITATION OF LIABILITY

6.1 The Warrantor's liability to the Purchaser shall be limited as follows:

- (a) The Warrantor shall not in any circumstances be liable to the Purchaser for indirect and/or consequential and/or economic loss suffered and/or incurred as the case may be by the Purchaser; and
- (b) The Warrantor shall only be liable to the Purchaser for the reasonable and proper costs reasonably and properly incurred by the Purchaser directly in connection with the repair and/or replacement (at the Warrantor's absolute discretion) of the Equipment or any part of the Equipment; and
- (c) The Warrantor's liability to the Purchaser shall notwithstanding any other provision of this Warranty, not in any circumstances exceed the Purchase Price of the Equipment.

07. WARRANTY CLAIMS

7.1 The Purchaser shall in respect of any claim against the Warrantor under this Warranty and within 24 hours of the occurrence of the subject matter of the Warranty Claim:

- (a) Complete in full and submit to the Warrantor a Warranty Claim in the form annexed to Schedule 4;
- (b) Provide date stamped or date identifiable photographs evidencing the claim; and
- (c) Make the Equipment or the relevant part of the Equipment available to the Warrantor for inspection within 48 hours of notification of the relevant Warranty Claim.

08. ENTIRE AGREEMENT

8.1 This Warranty constitutes the entire agreement between the parties and supersedes and extinguishes all previous promises, assurances, warranties, representations and understandings between them, whether written or oral, relating to its subject matter.

8.2 Each party agrees that it shall have no remedies in respect of any statement, representation, assurance or warranty (whether made innocently or negligently) that is not set out in this Warranty. Each party agrees that it shall have no claim for innocent or negligent misrepresentation or negligent misstatement based on any statement in this Warranty.

No variation of this Warranty shall be effective unless it is in writing and signed by the parties (or their authorised representatives).

09. WAIVER

No failure or delay by a party to exercise any right or remedy provided under this Warranty or by law shall constitute a waiver of that or any other right or remedy, nor shall it prevent or restrict the further exercise of that or any other right or remedy. No single or partial exercise of such right or remedy shall prevent or restrict the further exercise of that or any other right or remedy.

10. SEVERANCE

10.1 If any provision or part-provision of this Warranty is or becomes invalid, illegal or unenforceable, it shall be deemed deleted, but that shall not affect the validity and enforceability of the rest of this Warranty.

10.2 If any provision or part-provision of this Warranty is deemed deleted under clause 10.1 the parties shall negotiate in good faith to agree a replacement provision that, to the greatest extent possible, achieves the intended commercial result of the original provision.

11. THIRD PARTY RIGHTS

11.1 This Warranty does not give rise to any rights under the Contracts (Rights of Third Parties) Act 1999 to enforce any term of this Warranty.

12. GOVERNING LAW

12.1 This Warranty and any dispute or claim (including non-contractual disputes or claims) arising out of or in connection with it or its subject matter or formation shall be governed by and construed in accordance with the law of England and Wales.

13. JURISDICTION

13.1 Each party irrevocably agrees that the courts of England and Wales shall have exclusive jurisdiction to settle any dispute or claim (including non-contractual disputes or claims) arising out of or in connection with this Warranty or its subject matter or formation.

EC DECLARATION OF CONFORMITY

IN ACCORDANCE WITH EN ISO 17050-1:2004

Declaration: As defined by the Machinery Directive 2006/42/EC and subsequent amendments

We, CONQUIP ENGINEERING GROUP, herewith declare that the following indicated equipment meets the fundamental health and safety requirements concerning the EU guideline(s), due to their design and manufacture.

This declaration will be rendered null and void if the machine is changed without our approval.

SIGNED:

DATED: 2024

Garry Critchley, Chief Executive Officer

PRODUCT CODES	GENERAL DESCRIPTION / DESIGNATION	WORKING LOAD LIMIT
CA102AE-02000	Fixed Height	2000kg
CA103-02000	Telescopic Height	2000kg

ITEM	CODE	DESCRIPTION
EC DIRECTIVE/REGULATION	2006/42/EC	Directive 2006/42/EC- new machinery directive
HARMONISED STANDARDS	BS EN ISO 12100:2010	Safety of machinery General principles for design Risk assessment and risk reduction
	BS EN 13155	Cranes. Safety. Non-fixed load lifting attachments
OTHER REGULATIONS	LOLER 1998	Lifting Operations and Lifting Equipment Regulations 1998 (LOLER)
	PUWER 1998	Provision and Use of Work Equipment Regulations 1998 (PUWER)

TALKING TO US IS EASY
WE'RE HERE TO HELP

Call us on 0333 300 3470
Email us at sales@cqegroup.com
www.cqegroup.com

