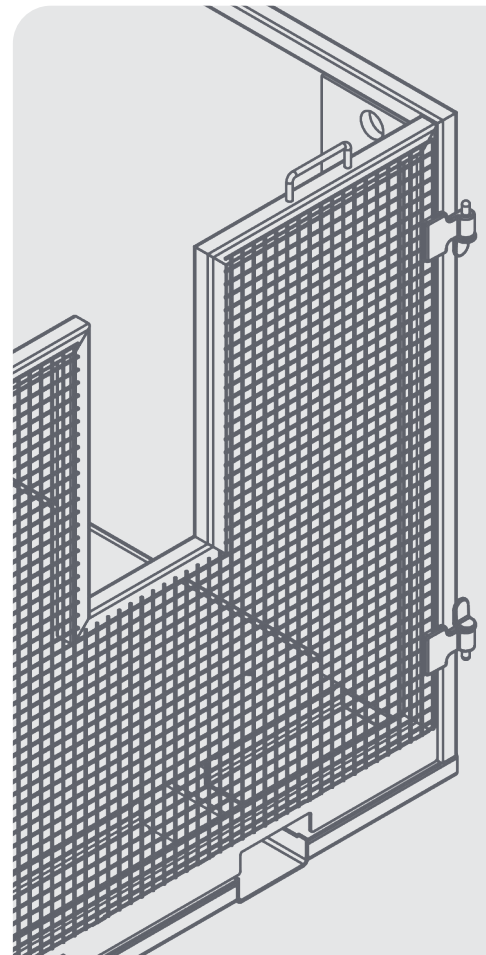
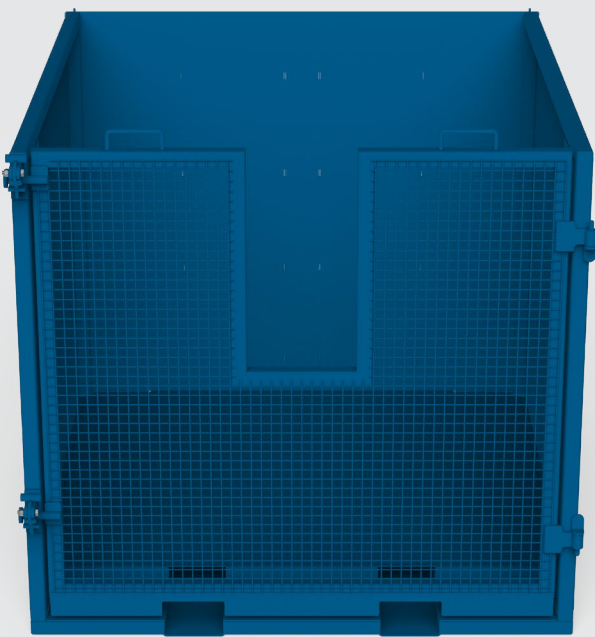


USER GUIDE

# CRANE FORKS CAGE



# DISCLAIMER

Do not attempt to handle or operate this equipment before you have received sufficient training. Before use, operatives must have carried out all checks featured on the Visual Inspection Sheet on page 13. It is imperative that you have read the General Safety Instructions on page 14 and sufficiently familiarised yourself with the Operational Procedures in this document.

Note that this item is compliant only to the standards specified in this User Guide and it is therefore the duty of the responsible person(s) to review and ensure compliance.

# CONTENTS

## PRODUCT INFORMATION

INTRODUCTION	04
SPECIFICATION	06
PARTS DIAGRAM	07

## OPERATIONAL PROCEDURES

IMPORTANT USAGE NOTES	08
ASSEMBLY INSTRUCTIONS	08
USAGE INSTRUCTIONS	08
LOADING INSTRUCTIONS	10

## MAINTENANCE & INSPECTION

MAINTENANCE REGIME	12
VISUAL INSPECTION SHEET	13

## GENERAL SAFETY INSTRUCTIONS

SAFETY INSTRUCTIONS	14
GENERAL NOTES	15

## LEGAL

TERMS AND CONDITIONS	16
EC DECLARATION OF CONFORMITY	21
STANDARDS AND REGULATIONS APPLICABLE	23

# INTRODUCTION

## OVERVIEW

The Crane Forks Cage is a steel box for safely carrying pallets of bricks or blocks and is only designed for use with Conquip Crane Forks. That includes the fixed and telescopic height models.

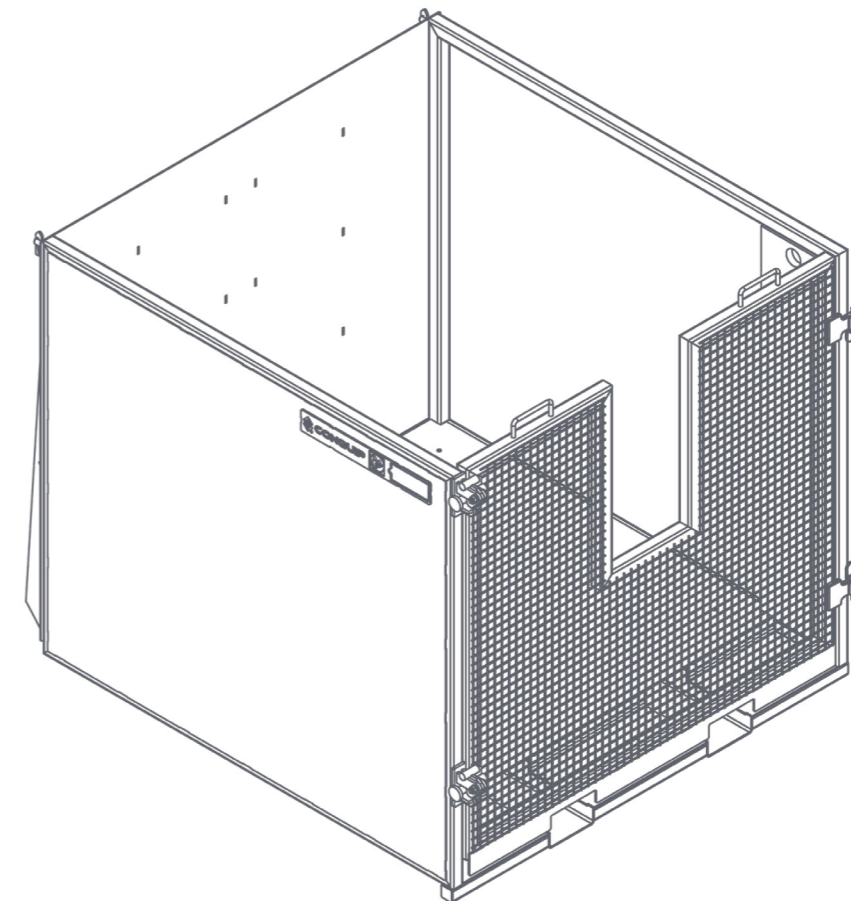
The concept was designed in conjunction with leading UK contractors and lifting personnel, following a lot of near-misses and accidents with crane forks being used with a net. The main concerns were due to brick pallets or wrapping failing and safety restraint net user error.

As a manufacturer, we recommend this as a fail-safe way of transporting bricks and blocks around a building site, when used with the Crane Forks. It is not a standalone piece of lifting equipment.

## KEY BENEFITS

- Best practice method for moving and lifting blocks and bricks.
- Large internal area to suit all known pallet sizes (1200mm length x 1300mm width).
- Lightweight to ensure that all known brick and block packs can be lifted and still be within the Working Load Limit stated for the Conquip Crane Forks.
- Cost effective as it is compatible with existing Conquip Crane Forks.
- Robust latch mechanism to prevent door opening after it has been shut.

# SPECIFICATION

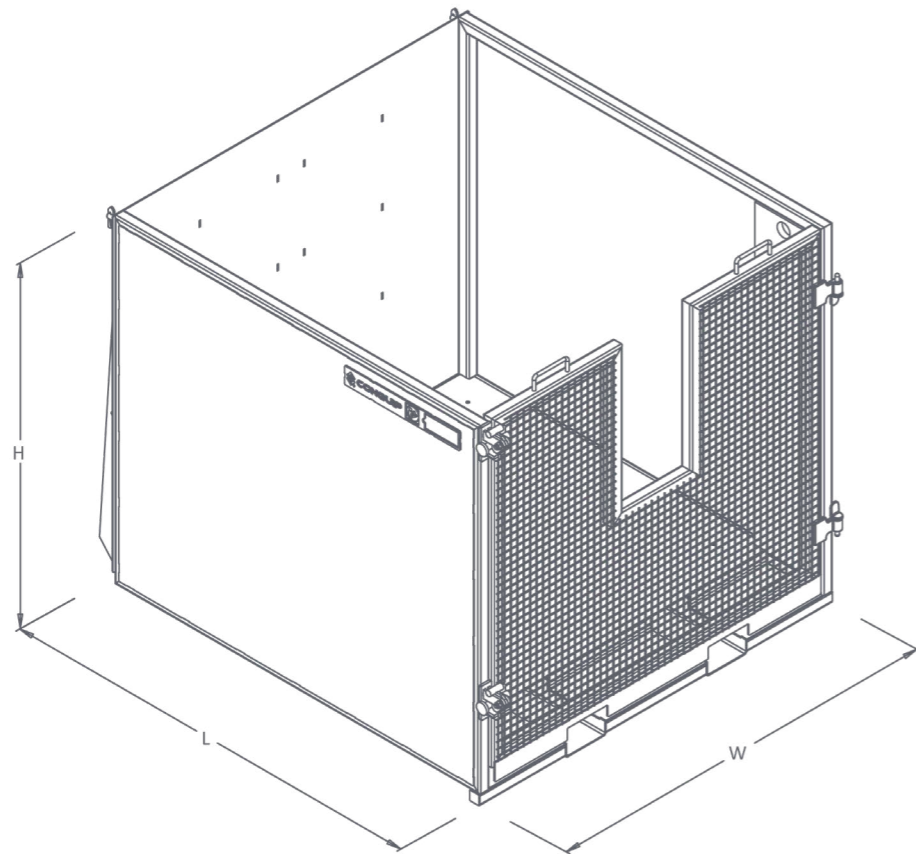


CODE	TYPE	WEIGHT (kg)	WLL* (kg)
CA147AC-02000	Crane Forks Cage	440	2000

\*Working Load Limit

# SPECIFICATION

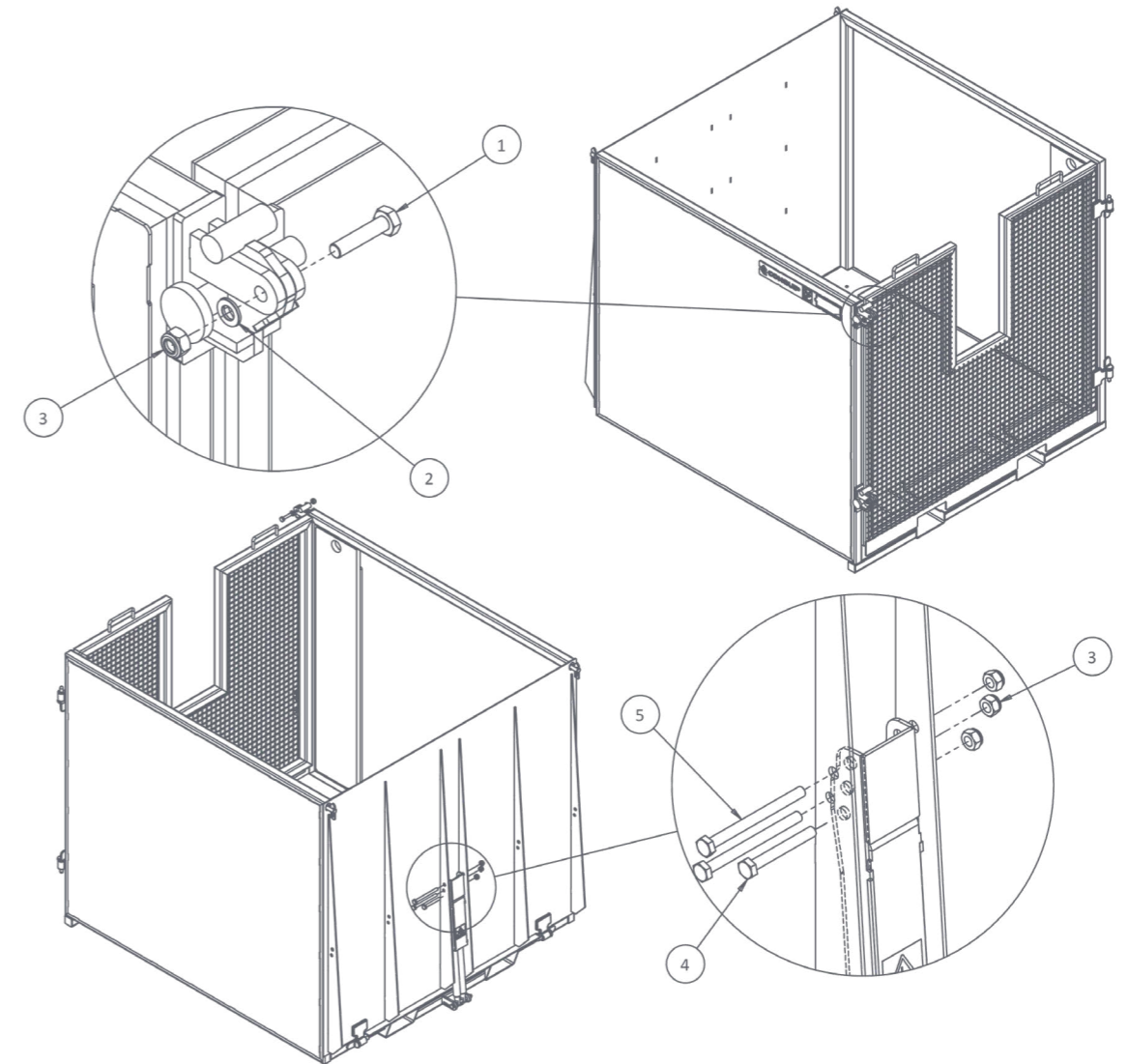
ITEM	PRODUCT CODE
Crane Forks Cage	CA147AC-02000



LENGTH (mm)	INTERNAL LENGTH (mm)	HEIGHT (mm)	WIDTH (mm)	INTERNAL WIDTH (mm)
1540	1200	1290	1390	1300

# PARTS DIAGRAM

## CRANE FORKS CAGE



ITEM NUMBER	PART	DESCRIPTION	QUANTITY
1	NS800715	M10 x 45 Hex Head Bolt	2
2	NS800262	M10 Washer Form A	4
3	NS800013	M10 Nyloc Nut	2
4	NS800917	M10 x 80 Hex Head Bolt	1
5	NS800480	M10 x 120 Hex Head Bolt	2

NOTE: These parts are for this model, they may differ for previous versions. Please contact Conquip with any queries.

# OPERATIONAL PROCEDURES

## IMPORTANT USAGE NOTES

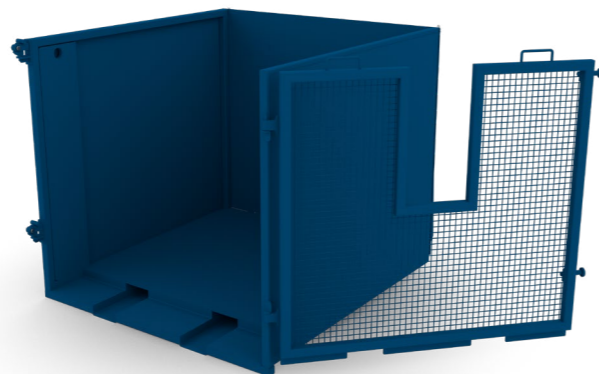
- The Crane Forks Cage must be used with Conquip Crane Forks.
- Check that the Crane Forks are suitably rated to lift the Crane Forks Cage and the load. Ensure adequate room around the unit for the operator to work safely.
- Ensure the cage is positioned on a level piece of ground, where possible.
- If the total height of the load (ie pallet and blocks) is more than 1205mm, then the telescopic Crane Forks must be used. However, when using with the telescopic Crane Forks, extra care must be taken never to overload the Crane Forks or the Crane Forks Cage, as there is greater potential to do so with the increased available height space.
- Do not drag the load; this equipment is for lifting the load clear of the ground.
- Do not allow hands or feet to come between, or below, the forks and the load.
- If using the telescopic height Crane Forks, the height of the load should not exceed the height of the sides of the Crane Forks Cage. Also, it is imperative that the forks are height-adjusted to suit the load, rather than constantly lifting at the highest possible setting.

## ASSEMBLY INSTRUCTIONS

01. Refer to the Crane Forks User Guide to ensure the Crane Forks are set up and ready to go.

## USAGE INSTRUCTIONS

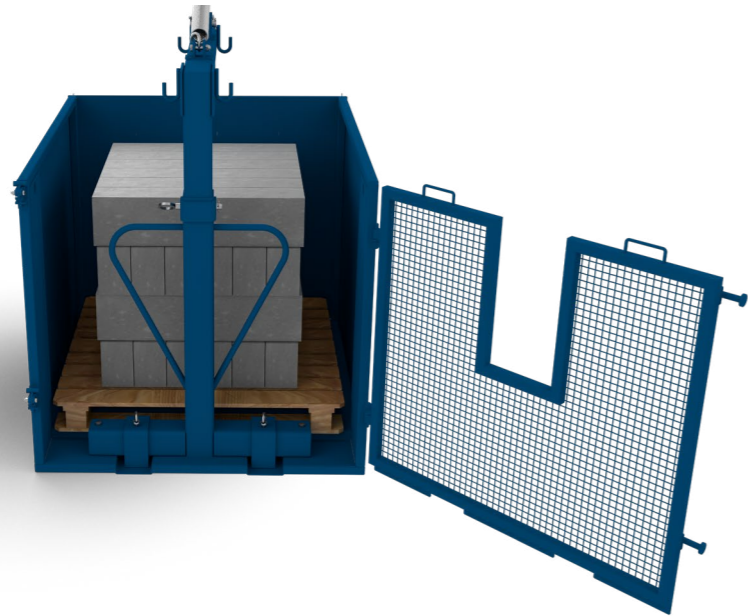
01. Open the cage door by releasing both door latches simultaneously. Make sure that it will not swing shut; if possible push the door back round on its hinges against the side of the cage.
02. Set the forks of the Crane Forks to the correct width to suit the size of the pallet.
03. Secure any palletised load to the pallet, not simply sitting on it. The load must not be lifted without being secure.
04. Carefully manoeuvre the Crane Forks under the pallet with the forks inserted as far as they will go. The load's length must not be greater than the forks.



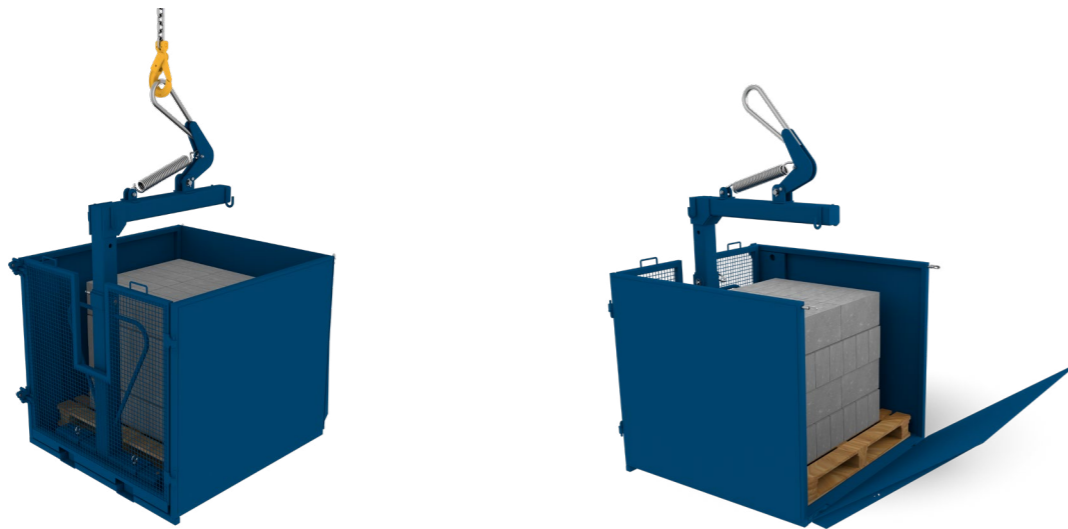
05. Raise the load just above the ground and check that the load is central to the forks and correctly balanced.
06. Lift the pallet of blocks or bricks using the Crane Forks and place the pallet in the Crane Forks Cage. Do not lift the forks high above the ground as they have no protection at this stage. An example lift would be from the back of a delivery vehicle into the cage, if the vehicle was close to the cage.
07. Ensure the pallet is situated as near to the front of the cage as possible, as described in Fig 1 (page 12).
08. Move the Crane Forks back out of the pallet.
09. Set the forks of the Crane Forks to the correct width to suit the fork pockets of the Crane Forks Cage. The forks should be evenly spaced from the central column of the Crane Forks.
10. Lower the Crane Forks closer to the ground and insert them into the fork pockets of the cage, as described in Fig 2 (page 13).



11. Close the door of the Crane Forks Cage, behind the Crane Forks, ensuring that both latch mechanisms are engaged completely.



12. Attach the tagline to an attachment point securely. These are situated on the top of the mesh door. If you prefer a lower attachment point, firmly attach the tagline to the mesh at the base of the cage door.
13. The Crane Forks Cage is now ready to lift. Proceed to move the load to its required position. Move slowly and carefully; do not jolt the load.
14. Once the Crane Forks Cage is fully lowered onto a stable, flat surface, detach the chain sling from the Crane Forks.



15. Lower the ramp to the floor by releasing both anti-loose fasteners.

16. Use a pallet truck to remove the pallet from the cage.



17. Alternatively, the pallet of bricks could be unloaded by hand or in the same way as they were loaded (by opening the gate and using the Crane Forks to lift the pallet out).
18. Lift and secure the ramp in place with the anti-loose fasteners.
19. Reattach the chain sling to the Crane Forks hook.
20. Lift the Crane Forks Cage to where the materials are located to collect the next pallet or load.

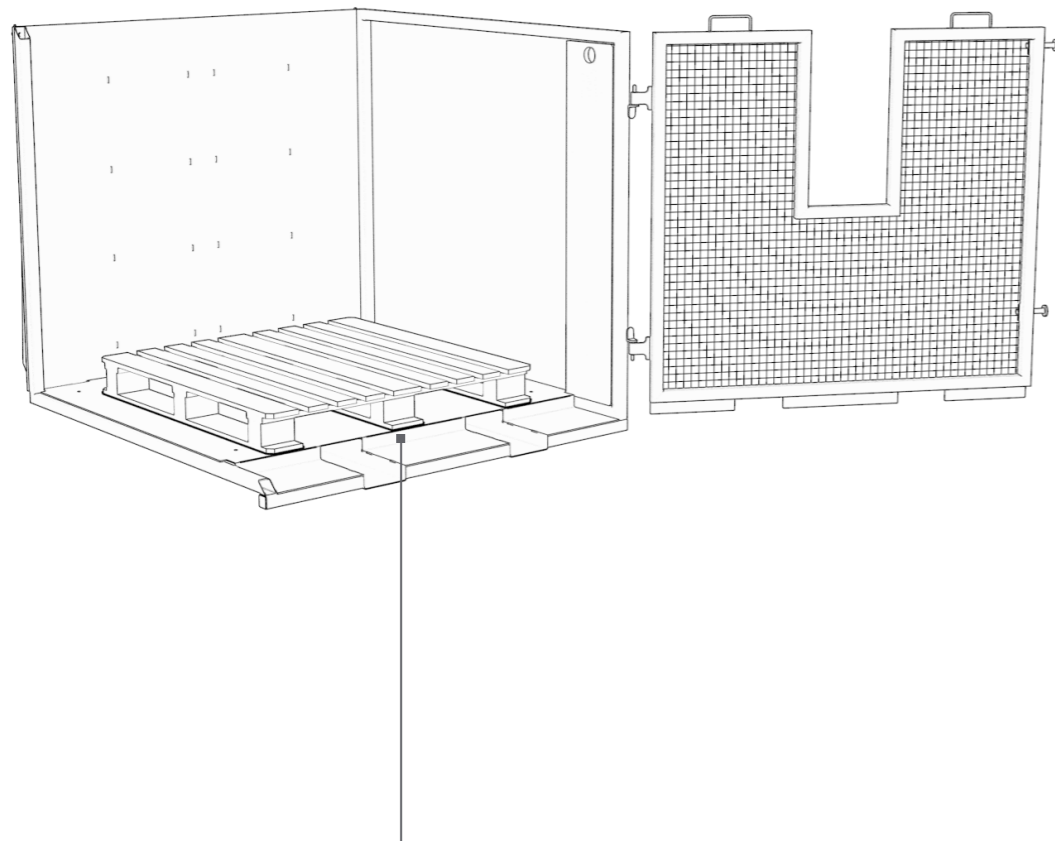


## LOADING INSTRUCTIONS

It is mandatory to follow these loading instructions.

### HOW TO POSITION THE PALLET IN THE CAGE

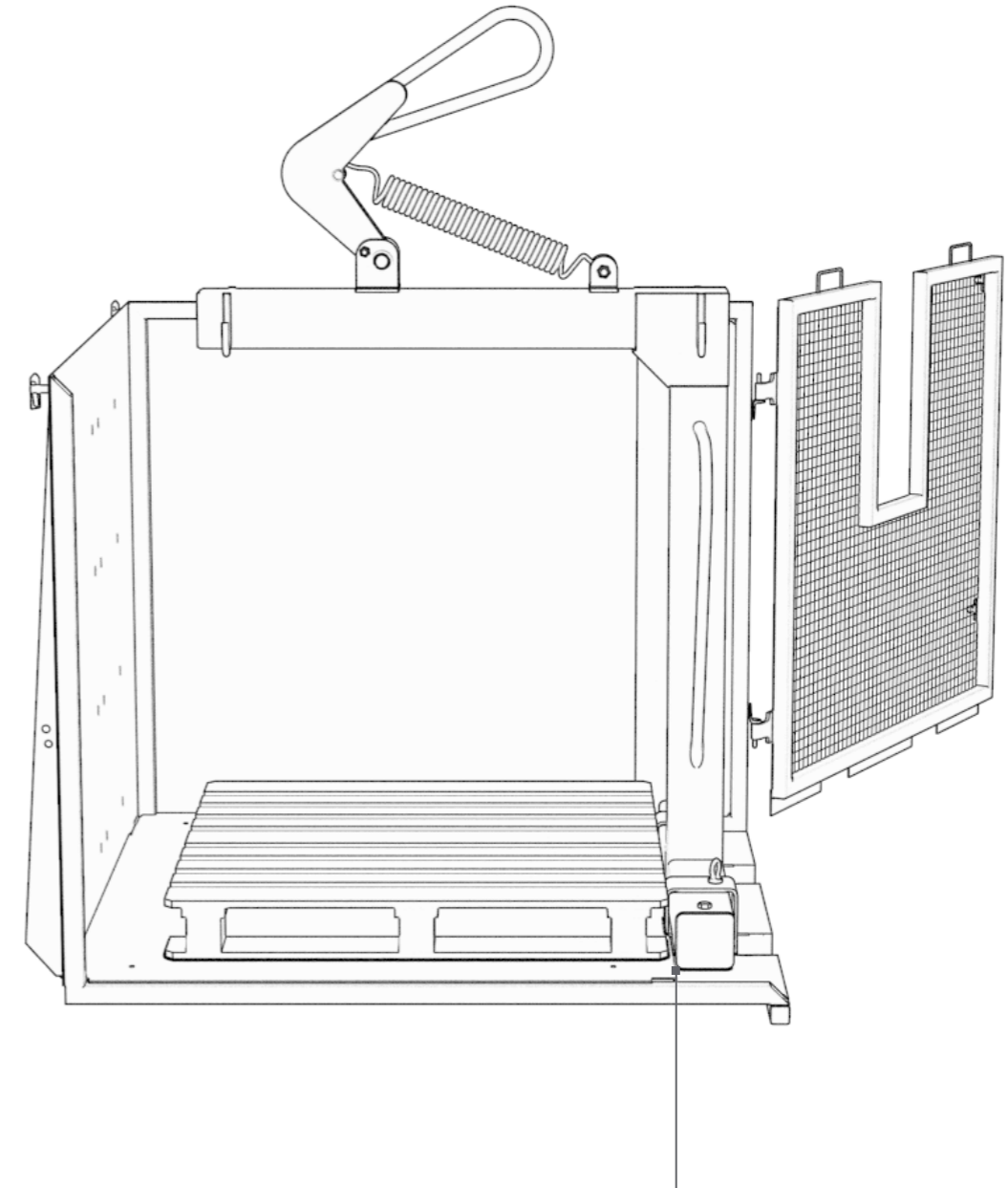
FIG 1



Align the load along this edge of the deck plate of the cage.  
Do not leave a large gap here.

### HOW TO POSITION THE FORKS IN THE CAGE

FIG 2



Make sure that the Crane Forks are pushed hard against the load and against the end of the fork pockets.

# MAINTENANCE & INSPECTION

## MAINTENANCE REGIME

- It is mandatory that the machinery equipment is thoroughly examined regularly, by a qualified engineer, to ensure compliance with relevant regulations. Conquip recommend carrying out a thorough examination every six months.
- This machinery may incorporate various loose and detachable items including, but not limited to pins, bolt assemblies and adaption plates. Refer to the separate requirements for the safe use of those items.
- When not being used, store the unit in a clean, upright condition and in a safe place where it will be protected from thieves and unauthorised users.
- This machinery must be inspected by the responsible person before each use and then regularly, as determined by your risk assessment or working practice. If you have any concerns about the machinery's condition or suitability, do not use it.

## VISUAL INSPECTION CHECKLIST

INSPECTION ITEMS	RESULTS		COMMENTS
	SATISFACTORY	UNSATISFACTORY	
Serial Number			CQ.....
Product Code			
Working Load Limit (Kg)			
Conforms to user guide specification			
Gate / ramp operation			
Gate / ramp secure			
Mesh / panel damage			
Ramp damage			
General visual inspection of the body			
<b>SIGNATURE</b>			
Name	Position	Qualification	Signature & Date



# GENERAL SAFETY INSTRUCTIONS

The machinery should be properly operated and maintained to keep it in a safe, efficient operating condition. Be sure that all fixings and components are free of mud or other matter that might cause issues hazardous to the operator, serviceman, or other personnel or equipment. Report all malfunctions to those responsible for maintenance, and do not operate the equipment until corrected. Normal service or maintenance performed as required can prevent unexpected and unnecessary downtime.

This operations manual describes general inspections, servicing and operation with the normal safety precautions required for normal servicing and operating conditions. It is not a guide, however, for abnormal conditions or situations, and therefore, servicemen and operators must be safety conscious and alert to recognise potential servicing or operating safety hazards at all times, and take necessary precautions to assure safe servicing and operation of the machine.



**M002**  
Refer to instructions manual



**M004**  
Wear eye protection



**M008**  
Wear safety footwear



**M009**  
Wear protective gloves



**M010**  
Wear protective clothing



**M014**  
Wear head protection



**M015**  
Wear high-visibility clothing

## GENERAL NOTES

- Read this operations manual and learn the operating characteristics and limitations of the machinery. Know what operating clearances the machine requires.
- Read and understand all the safety signs prior to operation.
- If the safety signs are obstructed by dirt or debris, clean them using mild soap and water prior to operation.
- If the safety signs are damaged or illegible, replace them immediately, prior to operation.
- Be aware of operating hazards that weather changes can create on the job. Know proper procedures to follow when a severe rain or electrical storm strikes.
- Never attempt to operate or work on machinery when not feeling physically fit.
- Never wear loose clothing, rings, watches, heavy gloves etc., that might catch and result in injury.
- Know what safety equipment is required and use it. Such equipment may be: hard hat, safety glasses, reflector type vests, protective gloves and safety footwear.

# TERMS & CONDITIONS

## CONQUIP ENGINEERING GROUP STANDARD PRODUCT WARRANTY

### 01. COMMENCEMENT

1.1 This Warranty shall commence on the Commencement Date and shall continue until the earlier of:

- (a) the Expiry Date; or
- (b) the date on which it may be voided in accordance with clause 4.1(b)

when it shall terminate automatically without notice.

### 02. DUTY OF GOOD FAITH

2.1 The Purchaser shall in the exercise of its rights under this Warranty and in the compliance with its obligations under this Warranty be subject to and shall in all respects owe and comply with a duty of good faith to the Warrantor.

### 03. NATURE AND EXTENT OF COVER

3.1 Subject to clause 3.2 the Warrantor agrees and undertakes to the Purchaser that it shall be liable to the Purchaser under and in accordance with the terms of this Warranty in the event that:

- (a) prior to the Expiry Date the Purchaser shall notify a Warranty Claim to the Warrantor; and
- (b) the Equipment or any relevant part of the Equipment shall have become unusable as the result of defective material or defective workmanship prior to the Expiry Date.

3.2 The Warrantor's obligation under clause 3.1 shall be expressly subject to the provisions of clauses 4, 5 and 6 and conditional upon the Purchaser's compliance in full with the provisions of clause 7.

### 04. RESTRICTIONS

4.1 The following restrictions apply to this Warranty:

(a) This Warranty is personal to the Purchaser and neither the legal benefit nor legal burden of this warranty may be assigned or novated or otherwise transferred by the Purchaser to any other party. Any purported assignment, novation or transfer shall not be binding upon the Warrantor.

(b) This Warranty shall be void in the event that the Purchaser:

(i) cannot provide authentic and original documentary evidence that the Purchaser has during the period between the Commencement Date and the Expiry Date complied with the Maintenance and Servicing Requirements; and/or

(ii) has, during the period between the Commencement Date and the Expiry Date, exceeded the Purchaser's Usage Cycle Parameters; and/or

(iii) has, during the period between the Commencement Date and the Expiry Date, exceeded the Purchaser's Use Parameters; and/or

(iv) has carried out, or procured the carrying out by any third party of, any repair to the Equipment or any part of the Equipment which is not an Authorised Repair; and/or

(v) has operated the Equipment after having replaced any part of the Equipment with a part which has not been supplied and fitted by the Warrantor; and/or

(vi) has modified the Equipment in any way prior to use.

### 05. EXCLUSIONS

5.1 The following are excluded from the scope of this Warranty:

(a) Loss of and/ or damage to the Equipment or any part of it resulting from any collision between the Equipment and any other fixed or stationary or mobile object whatsoever, irrespective of whether that collision was or was not caused by the Purchaser; and/or

(b) Loss of and/or damage to any personal property and/or possessions or other equipment not forming part of the Equipment but which is present in or about the Equipment; and/or

(c) loss and/or damage which is covered by any other insurance policy taken out and maintained by the Purchaser or in respect of which the Purchaser has a contractual obligation to do so; and/or

(d) loss and/or damage to the equipment which is consistent with the use by the Purchaser of the Equipment:

(i) in compliance with the Maintenance and Servicing Requirements; and

(ii) in compliance with the Usage Cycle Parameters; and

(iii) in compliance with the Use Parameters; and

(iv) having only carried out Authorised Repairs to the Equipment; and

(v) having all and any replacement parts fitted by the Warrantor; and

(vi) in unmodified form.

## 06. LIMITATION OF LIABILITY

6.1 The Warrantor's liability to the Purchaser shall be limited as follows:

- (a) The Warrantor shall not in any circumstances be liable to the Purchaser for indirect and/or consequential and/or economic loss suffered and/or incurred as the case may be by the Purchaser; and
- (b) The Warrantor shall only be liable to the Purchaser for the reasonable and proper costs reasonably and properly incurred by the Purchaser directly in connection with the repair and/or replacement (at the Warrantor's absolute discretion) of the Equipment or any part of the Equipment; and
- (c) The Warrantor's liability to the Purchaser shall notwithstanding any other provision of this Warranty, not in any circumstances exceed the Purchase Price of the Equipment.

## 07. WARRANTY CLAIMS

7.1 The Purchaser shall in respect of any claim against the Warrantor under this Warranty and within 24 hours of the occurrence of the subject matter of the Warranty Claim:

- (a) Complete in full and submit to the Warrantor a Warranty Claim in the form annexed to Schedule 4;
- (b) Provide date stamped or date identifiable photographs evidencing the claim; and
- (c) Make the Equipment or the relevant part of the Equipment available to the Warrantor for inspection within 48 hours of notification of the relevant Warranty Claim.

## 08. ENTIRE AGREEMENT

8.1 This Warranty constitutes the entire agreement between the parties and supersedes and extinguishes all previous promises, assurances, warranties, representations and understandings between them, whether written or oral, relating to its subject matter.

8.2 Each party agrees that it shall have no remedies in respect of any statement, representation, assurance or warranty (whether made innocently or negligently) that is not set out in this Warranty. Each party agrees that it shall have no claim for innocent or negligent misrepresentation or negligent misstatement based on any statement in this Warranty.

No variation of this Warranty shall be effective unless it is in writing and signed by the parties (or their authorised representatives).

## 09. WAIVER

No failure or delay by a party to exercise any right or remedy provided under this Warranty or by law shall constitute a waiver of that or any other right or remedy, nor shall it prevent or restrict the further exercise of that or any other right or remedy. No single or partial exercise of such right or remedy shall prevent or restrict the further exercise of that or any other right or remedy.

## 10. SEVERANCE

10.1 If any provision or part-provision of this Warranty is or becomes invalid, illegal or unenforceable, it shall be deemed deleted, but that shall not affect the validity and enforceability of the rest of this Warranty.

10.2 If any provision or part-provision of this Warranty is deemed deleted under clause 10.1 the parties shall negotiate in good faith to agree a replacement provision that, to the greatest extent possible, achieves the intended commercial result of the original provision.

## 11. THIRD PARTY RIGHTS

11.1 This Warranty does not give rise to any rights under the Contracts (Rights of Third Parties) Act 1999 to enforce any term of this Warranty.

## 12. GOVERNING LAW

12.1 This Warranty and any dispute or claim (including non-contractual disputes or claims) arising out of or in connection with it or its subject matter or formation shall be governed by and construed in accordance with the law of England and Wales.

## 13. JURISDICTION

13.1 Each party irrevocably agrees that the courts of England and Wales shall have exclusive jurisdiction to settle any dispute or claim (including non-contractual disputes or claims) arising out of or in connection with this Warranty or its subject matter or formation.

# EC DECLARATION OF CONFORMITY

## IN ACCORDANCE WITH EN ISO 17050-1:2004

Declaration: As defined by the Machinery Directive 2006/42/EC and subsequent amendments

We, CONQUIP ENGINEERING GROUP, herewith declare that the following indicated equipment meets the fundamental health and safety requirements concerning the EU guideline(s), due to their design and manufacture.

This declaration will be rendered null and void if the machine is changed without our approval.

**SIGNED:**

**DATED: 2024**

---

Garry Critchley, Managing Director

PRODUCT CODES	GENERAL DESCRIPTION / DESIGNATION	WORKING LOAD LIMIT
CA147AC-02000	Crane Forks Cage	2000kg

ITEM	CODE	DESCRIPTION
<b>EC DIRECTIVE/REGULATION</b>	2006/42/EC	Directive 2006/42/EC- new machinery directive
<b>HARMONISED STANDARDS</b>	BS EN ISO 12100:2010	Safety of machinery General principles for design Risk assessment and risk reduction
<b>OTHER REGULATIONS</b>	LOLER 1998	Lifting Operations and Lifting Equipment Regulations 1998 (LOLER)
	PUWER 1998	Provision and Use of Work Equipment Regulations 1998 (PUWER)

TALKING TO US IS EASY  
**WE'RE HERE TO HELP**

Call us on 0333 300 3470  
Email us at [sales@cqegroup.com](mailto:sales@cqegroup.com)  
[www.cqegroup.com](http://www.cqegroup.com)

