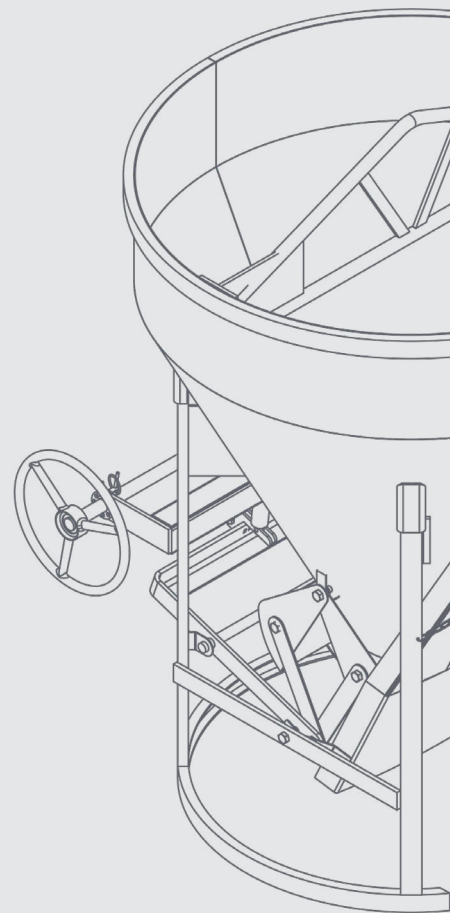


USER GUIDE

CONCRETE TWINFLOW SKIP



DISCLAIMER

Do not attempt to handle or operate this equipment before you have received sufficient training. Before use, operatives must have carried out all checks featured on the Visual Inspection Sheet on page 11. It is imperative that you have read the General Safety Instructions on page 12 and sufficiently familiarised yourself with the Operational Procedures in this document.

Note that this item is compliant only to the standards specified in this User Guide and it is therefore the duty of the responsible person(s) to review and ensure compliance.

CONTENTS

PRODUCT INFORMATION

INTRODUCTION	04
SPECIFICATION	05
PARTS DIAGRAM	07

OPERATIONAL PROCEDURES

IMPORTANT USAGE NOTES	08
-----------------------	----

MAINTENANCE & INSPECTION

MAINTENANCE REGIME	10
VISUAL INSPECTION SHEET	11

GENERAL SAFETY INSTRUCTIONS

SAFETY INSTRUCTIONS	12
GENERAL NOTES	13

LEGAL

TERMS AND CONDITIONS	14
EC DECLARATION OF CONFORMITY	18
STANDARDS AND REGULATIONS APPLICABLE	19

INTRODUCTION

OVERVIEW

The Conquip Concrete Twinflow Skip is a general purpose skip for fast and accurate placing of concrete. It can be used as a bottom discharge skip for mass concrete pours, or as a side discharge skip for more accurate placing of concrete in shutters.

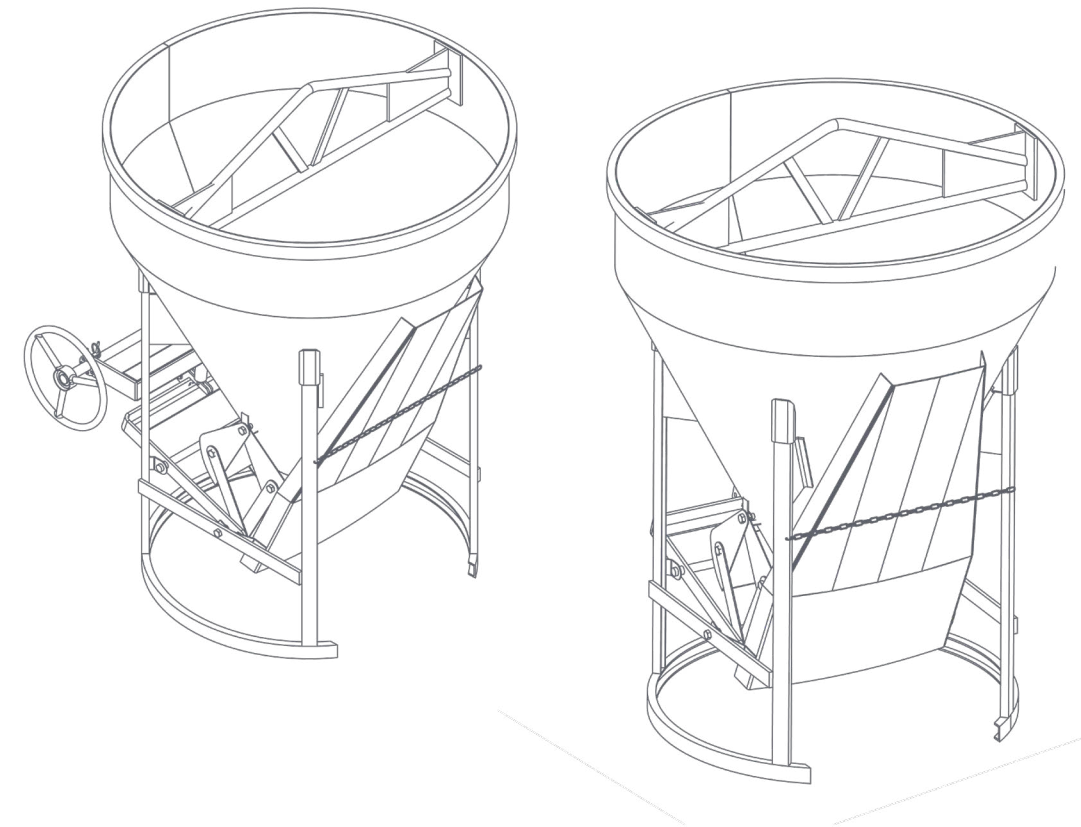
These skips are available in either geared or levered variations, with sizes from 500 to 1000 litres, offering the flexibility to suit a wide range of applications and site requirements.

KEY BENEFITS

- Versatile design and easily adjustable for maximum efficiency of use.
- Accurate placement of concrete due to funnelled chute design.
- Frame design allows the skip to stand upright safely when being filled.

SPECIFICATION

THE RANGE



CODE	TYPE	WEIGHT (kg)	WLL* (kg)	CAPACITY (litres)
CS203-00500	Concrete Twinflow Skip Levered 500	140	1500	500
CS203-00750	Concrete Twinflow Skip Levered 750	215	2250	750
CS203-01000	Concrete Twinflow Skip Levered 1000	240	3000	1000
CS204-00500	Concrete Twinflow Skip Geared 500	205	1500	500
CS204-00750	Concrete Twinflow Skip Geared 500	215	2250	750
CS204-01000	Concrete Twinflow Skip Geared 500	220	3000	1000

*Working Load Limit

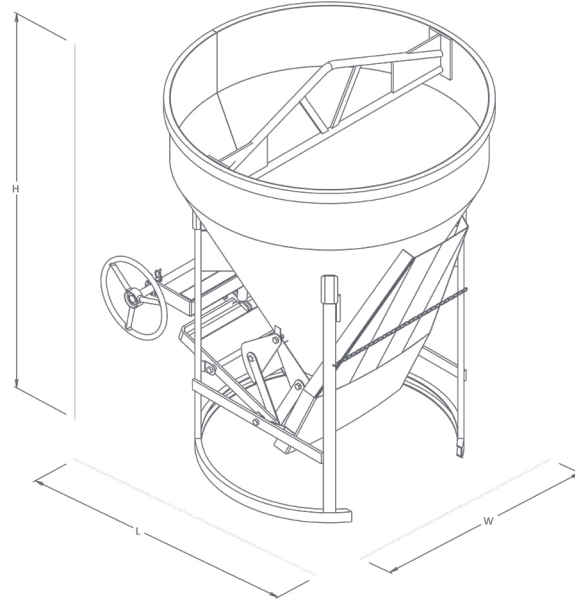
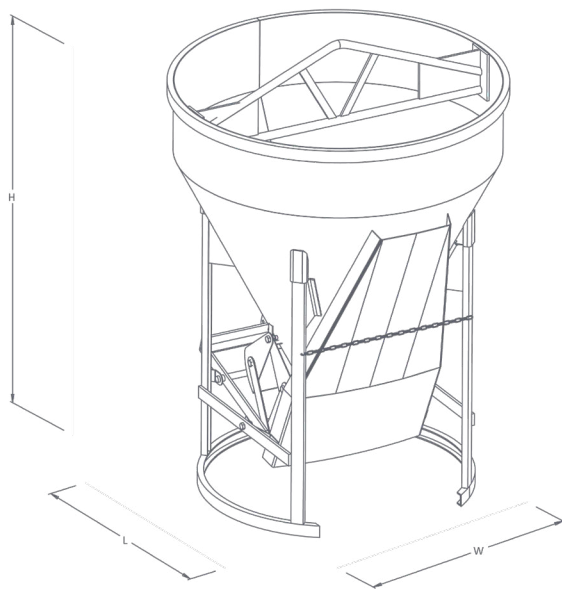
SPECIFICATION

CONCRETE TWINFLOW SKIP

ITEM	PRODUCT CODE
Concrete Twinflow Skip Levered 500	CS203-00500
Concrete Twinflow Skip Levered 750	CS203-00750
Concrete Twinflow Skip Levered 1000	CS203-01000
Concrete Twinflow Skip Geared 500	CS204-00500
Concrete Twinflow Skip Geared 500	CS204-00750
Concrete Twinflow Skip Geared 500	CS204-01000

LEVERED

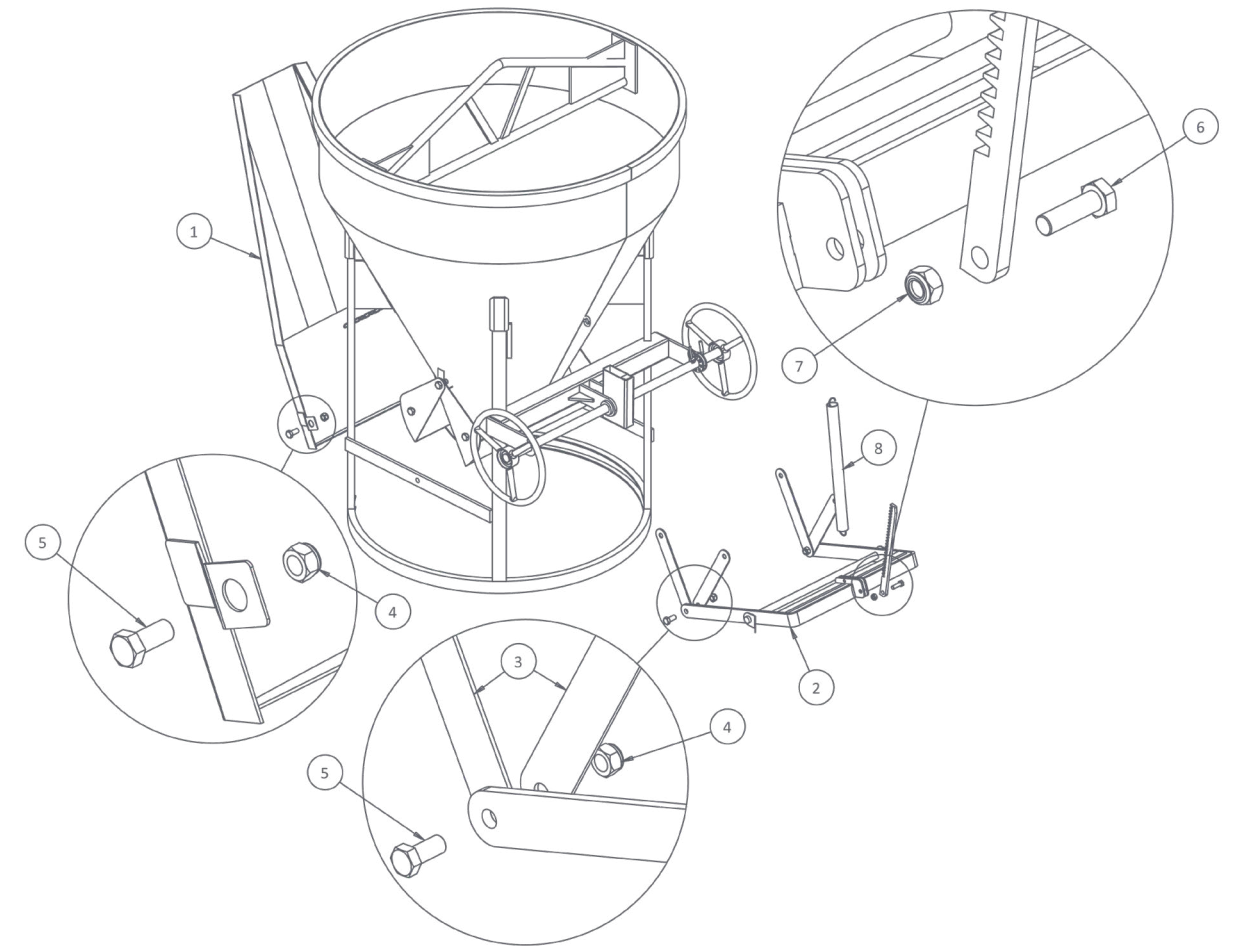
GEARED



TYPE	LENGTH (mm)	WIDTH (mm)	HEIGHT (mm)
Levered / Geared	1460	1110	1650
Levered / Geared	1810	1500	1460
Levered / Geared	1700	1510	2000

PARTS DIAGRAM

CONCRETE TWINFLOW SKIP



ITEM NUMBER	DESCRIPTION	QUANTITY
1	Twinflow Chute	1
2	Clam Shell Pivot Assembly	1
3	Pivot Arm	4
4	M16 Nyloc Nut	4
5	M16 x 35 Hex Head Screw	4
6	M12 x 40 Hex Head Screw	1
7	M12 x Nyloc Nut	1
8	Gate Spring	1

NOTE: These parts are for this model, they may differ for previous versions. Please contact Conquip with any queries.

OPERATIONAL PROCEDURES

IMPORTANT USAGE NOTES

- Tag lines should be used but only to allow for light manoeuvring.
- It is recommended that you apply skip wax to the skip to assist cleaning. This is available from Conquip.

USAGE INSTRUCTIONS

01. Attach the lifting apparatus' hook to the skip's bale arm lifting point. Always ensure that the hook's gate is correctly closed and the bale arm is seated correctly in the hook.
02. Ensure the skip chute is stowed in the secured position and the gate is closed and secured.
03. Raise the Concrete Twinflow Skip and carefully manoeuvre to the concrete filling location.
04. Lower the skip to the ground in the upright position. Ensure the surface is firm and level and capable of supporting the skip and its load.
05. Fully close the skip's flow gate. The geared version is closed by turning the release wheel clockwise. The levered version is spring loaded and should automatically remain closed unless being held open manually.
06. Once closed, attach the safety chain to the wheel to prevent the gate opening during a lift.
07. Fill the skip from the top with concrete until the skip is full and the load is level. The skip can now be raised and moved to where it is required.
08. To aid manoeuvring, attach tag lines to the skip.
09. Carefully raise the skip just off the ground and check for balance and security.
10. Carefully move the load to its required position. Move slowly and carefully; do not jolt the load.
11. When in position, lower the load until suspended above the discharge point.
12. If discharging directly below the skip, ensure the chute is swung up and clear of the flow gate, and secured with the safety chain.
13. Alternatively, if discharging to the side, swing the chute down to use it for directing the flow of the concrete.
14. With the skip still suspended by the crane, carefully open the gate by turning the gear or depressing the lever, whichever is relevant for the skip type. Open the gate sufficiently to allow controlled release of concrete. Do not tie the gate open.
15. When discharge is complete, close the flow gate fully and secure with the safety chain.
16. With the skip empty and free of any load, lower it to the ground in the upright position, resting on the frame.

17. After use, ensure the skip is thoroughly washed out (see cleaning instructions below).
18. Once thoroughly cleaned and no longer required, release the lifting apparatus' hook and move it clear.

CLEANING INSTRUCTIONS

01. The skip must be cleaned of all remaining concrete at the end of each work session, or more frequently if required. There can be no excuse for the unit to fail because of hard concrete residue.
02. Thorough cleaning can be achieved if the gate control spring is disconnected. This will allow you to open the gate fully for hosing down. Always take extreme caution when releasing the gate control. Do not tie the gate control lever in the open position.
03. Once thoroughly cleaned, the spring must be re-fitted to keep the gate closed. If you do not, concrete residue may set in the gate blade channels that will foul its operation.

MAINTENANCE & INSPECTION

MAINTENANCE REGIME

- It is mandatory that the machinery equipment is thoroughly examined regularly, by a qualified engineer, to ensure compliance with relevant regulations. Conquip recommend carrying out a thorough examination every six months.
- This machinery may incorporate various loose and detachable items including, but not limited to pins, bolt assemblies and adaption plates. Refer to the separate requirements for the safe use of those items.
- When not being used, store the unit in a clean, upright condition and in a safe place where it will be protected from thieves and unauthorised users.
- This machinery must be inspected by the responsible person before each use and then regularly, as determined by your risk assessment or working practice. If you have any concerns about the machinery's condition or suitability, do not use it.

VISUAL INSPECTION CHECKLIST

INSPECTION ITEMS	RESULTS		COMMENTS
	SATISFACTORY	UNSATISFACTORY	
Serial Number			CQ.....
Product Code			
Working Load Limit (Kg)			
Conforms to user guide specification			
Lifting eyes bent / damaged			
Gate operating correctly			
Gate operating mechanism operating correctly			
Concrete chute operation			
Concrete chute safety chain			
General visual inspection of the body			
SIGNATURE			
Name	Position	Qualification	Signature & Date

GENERAL SAFETY INSTRUCTIONS

The machinery should be properly operated and maintained to keep it in a safe, efficient operating condition. Be sure that all fixings and components are free of mud or other matter that might cause issues hazardous to the operator, serviceman, or other personnel or equipment. Report all malfunctions to those responsible for maintenance, and do not operate the equipment until corrected. Normal service or maintenance performed as required can prevent unexpected and unnecessary downtime.

This operations manual describes general inspections, servicing and operation with the normal safety precautions required for normal servicing and operating conditions. It is not a guide, however, for abnormal conditions or situations, and therefore, servicemen and operators must be safety conscious and alert to recognise potential servicing or operating safety hazards at all times, and take necessary precautions to assure safe servicing and operation of the machine.



M002
Refer to instructions manual



M004
Wear eye protection



M008
Wear safety footwear



M009
Wear protective gloves



M010
Wear protective clothing



M014
Wear head protection



M015
Wear high-visibility clothing

GENERAL NOTES

- Read this operations manual and learn the operating characteristics and limitations of the machinery. Know what operating clearances the machine requires.
- Read and understand all the safety signs prior to operation.
- If the safety signs are obstructed by dirt or debris, clean them using mild soap and water prior to operation.
- If the safety signs are damaged or illegible, replace them immediately, prior to operation.
- Be aware of operating hazards that weather changes can create on the job. Know proper procedures to follow when a severe rain or electrical storm strikes.
- Never attempt to operate or work on machinery when not feeling physically fit.
- Never wear loose clothing, rings, watches, heavy gloves etc., that might catch and result in injury.
- Know what safety equipment is required and use it. Such equipment may be: hard hat, safety glasses, reflector type vests, protective gloves and safety footwear.

TERMS & CONDITIONS

CONQUIP ENGINEERING GROUP STANDARD PRODUCT WARRANTY

01. COMMENCEMENT

1.1 This Warranty shall commence on the Commencement Date and shall continue until the earlier of:

- (a) the Expiry Date; or
- (b) the date on which it may be voided in accordance with clause 4.1(b)

when it shall terminate automatically without notice.

02. DUTY OF GOOD FAITH

2.1 The Purchaser shall in the exercise of its rights under this Warranty and in the compliance with its obligations under this Warranty be subject to and shall in all respects owe and comply with a duty of good faith to the Warrantor.

03. NATURE AND EXTENT OF COVER

3.1 Subject to clause 3.2 the Warrantor agrees and undertakes to the Purchaser that it shall be liable to the Purchaser under and in accordance with the terms of this Warranty in the event that:

- (a) prior to the Expiry Date the Purchaser shall notify a Warranty Claim to the Warrantor; and
- (b) the Equipment or any relevant part of the Equipment shall have become unusable as the result of defective material or defective workmanship prior to the Expiry Date.

3.2 The Warrantor's obligation under clause 3.1 shall be expressly subject to the provisions of clauses 4, 5 and 6 and conditional upon the Purchaser's compliance in full with the provisions of clause 7.

04. RESTRICTIONS

4.1 The following restrictions apply to this Warranty:

(a) This Warranty is personal to the Purchaser and neither the legal benefit nor legal burden of this warranty may be assigned or novated or otherwise transferred by the Purchaser to any other party. Any purported assignment, novation or transfer shall not be binding upon the Warrantor.

(b) This Warranty shall be void in the event that the Purchaser:

(i) cannot provide authentic and original documentary evidence that the Purchaser has during the period between the Commencement Date and the Expiry Date complied with the Maintenance and Servicing Requirements; and/or

(ii) has, during the period between the Commencement Date and the Expiry Date, exceeded the Purchaser's Usage Cycle Parameters; and/or

(iii) has, during the period between the Commencement Date and the Expiry Date, exceeded the Purchaser's Use Parameters; and/or

(iv) has carried out, or procured the carrying out by any third party of, any repair to the Equipment or any part of the Equipment which is not an Authorised Repair; and/or

(v) has operated the Equipment after having replaced any part of the Equipment with a part which has not been supplied and fitted by the Warrantor; and/or

(vi) has modified the Equipment in any way prior to use.

05. EXCLUSIONS

5.1 The following are excluded from the scope of this Warranty:

(a) Loss of and/ or damage to the Equipment or any part of it resulting from any collision between the Equipment and any other fixed or stationary or mobile object whatsoever, irrespective of whether that collision was or was not caused by the Purchaser; and/or

(b) Loss of and/or damage to any personal property and/or possessions or other equipment not forming part of the Equipment but which is present in or about the Equipment; and/or

(c) loss and/or damage which is covered by any other insurance policy taken out and maintained by the Purchaser or in respect of which the Purchaser has a contractual obligation to do so; and/or

(d) loss and/or damage to the equipment which is consistent with the use by the Purchaser of the Equipment:

(i) in compliance with the Maintenance and Servicing Requirements; and

(ii) in compliance with the Usage Cycle Parameters; and

(iii) in compliance with the Use Parameters; and

(iv) having only carried out Authorised Repairs to the Equipment; and

(v) having all and any replacement parts fitted by the Warrantor; and

(vi) in unmodified form.

06. LIMITATION OF LIABILITY

6.1 The Warrantor's liability to the Purchaser shall be limited as follows:

- (a) The Warrantor shall not in any circumstances be liable to the Purchaser for indirect and/or consequential and/or economic loss suffered and/or incurred as the case may be by the Purchaser; and
- (b) The Warrantor shall only be liable to the Purchaser for the reasonable and proper costs reasonably and properly incurred by the Purchaser directly in connection with the repair and/or replacement (at the Warrantor's absolute discretion) of the Equipment or any part of the Equipment; and
- (c) The Warrantor's liability to the Purchaser shall notwithstanding any other provision of this Warranty, not in any circumstances exceed the Purchase Price of the Equipment.

07. WARRANTY CLAIMS

7.1 The Purchaser shall in respect of any claim against the Warrantor under this Warranty and within 24 hours of the occurrence of the subject matter of the Warranty Claim:

- (a) Complete in full and submit to the Warrantor a Warranty Claim in the form annexed to Schedule 4;
- (b) Provide date stamped or date identifiable photographs evidencing the claim; and
- (c) Make the Equipment or the relevant part of the Equipment available to the Warrantor for inspection within 48 hours of notification of the relevant Warranty Claim.

08. ENTIRE AGREEMENT

8.1 This Warranty constitutes the entire agreement between the parties and supersedes and extinguishes all previous promises, assurances, warranties, representations and understandings between them, whether written or oral, relating to its subject matter.

8.2 Each party agrees that it shall have no remedies in respect of any statement, representation, assurance or warranty (whether made innocently or negligently) that is not set out in this Warranty. Each party agrees that it shall have no claim for innocent or negligent misrepresentation or negligent misstatement based on any statement in this Warranty.

No variation of this Warranty shall be effective unless it is in writing and signed by the parties (or their authorised representatives).

09. WAIVER

No failure or delay by a party to exercise any right or remedy provided under this Warranty or by law shall constitute a waiver of that or any other right or remedy, nor shall it prevent or restrict the further exercise of that or any other right or remedy. No single or partial exercise of such right or remedy shall prevent or restrict the further exercise of that or any other right or remedy.

10. SEVERANCE

10.1 If any provision or part-provision of this Warranty is or becomes invalid, illegal or unenforceable, it shall be deemed deleted, but that shall not affect the validity and enforceability of the rest of this Warranty.

10.2 If any provision or part-provision of this Warranty is deemed deleted under clause 10.1 the parties shall negotiate in good faith to agree a replacement provision that, to the greatest extent possible, achieves the intended commercial result of the original provision.

11. THIRD PARTY RIGHTS

11.1 This Warranty does not give rise to any rights under the Contracts (Rights of Third Parties) Act 1999 to enforce any term of this Warranty.

12. GOVERNING LAW

12.1 This Warranty and any dispute or claim (including non-contractual disputes or claims) arising out of or in connection with it or its subject matter or formation shall be governed by and construed in accordance with the law of England and Wales.

13. JURISDICTION

13.1 Each party irrevocably agrees that the courts of England and Wales shall have exclusive jurisdiction to settle any dispute or claim (including non-contractual disputes or claims) arising out of or in connection with this Warranty or its subject matter or formation.

EC DECLARATION OF CONFORMITY

IN ACCORDANCE WITH EN ISO 17050-1:2004

Declaration: As defined by the Machinery Directive 2006/42/EC and subsequent amendments

We, CONQUIP ENGINEERING GROUP, herewith declare that the following indicated equipment meets the fundamental health and safety requirements concerning the EU guideline(s), due to their design and manufacture.

This declaration will be rendered null and void if the machine is changed without our approval.

SIGNED:

DATED: 2024

Garry Critchley, Managing Director

PRODUCT CODES	GENERAL DESCRIPTION / DESIGNATION	WORKING LOAD LIMIT
CS203-00500	Concrete Twinflow Skip Levered 500	1500kg
CS203-00750	Concrete Twinflow Skip Levered 750	2250kg
CS203-01000	Concrete Twinflow Skip Levered 1000	3000kg
CS204-00500	Concrete Twinflow Skip Geared 500	1500kg
CS204-00750	Concrete Twinflow Skip Geared 500	2250kg
CS204-01000	Concrete Twinflow Skip Geared 500	3000kg

ITEM	CODE	DESCRIPTION
EC DIRECTIVE/REGULATION	2006/42/EC	Directive 2006/42/EC- new machinery directive
HARMONISED STANDARDS	BS EN ISO 12100:2010	Safety of machinery General principles for design Risk assessment and risk reduction
	BS EN 1993-1-1: 2005	Eurocode 3. Design of steel structures General rules and rules for buildings
OTHER REGULATIONS	LOLER 1998	Lifting Operations and Lifting Equipment Regulations 1998 (LOLER)
	PUWER 1998	Provision and Use of Work Equipment Regulations 1998 (PUWER)

TALKING TO US IS EASY
WE'RE HERE TO HELP

Call us on 0333 300 3470
Email us at sales@cqegroup.com
www.cqegroup.com

