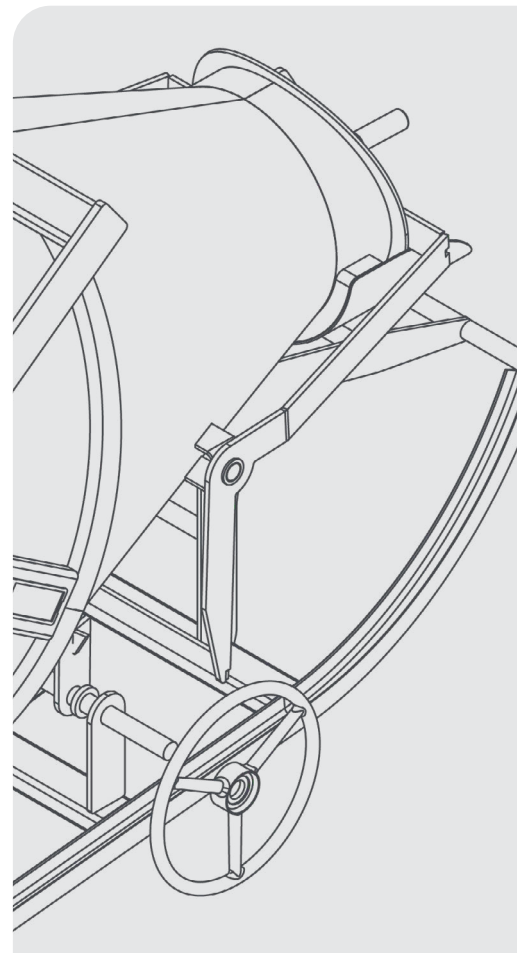


USER GUIDE

CONCRETE CONEFLOW SKIP



DISCLAIMER

Do not attempt to handle or operate this equipment before you have received sufficient training. Before use, operatives must have carried out all checks featured on the Visual Inspection Sheet on page 10. It is imperative that you have read the General Safety Instructions on page 12 and sufficiently familiarised yourself with the Operational Procedures.

Note that this item is compliant only to the standards specified in this User Guide and it is therefore the duty of the responsible person(s) to review and ensure compliance.

CONTENTS

PRODUCT INFORMATION

| | |
|---------------|----|
| INTRODUCTION | 04 |
| SPECIFICATION | 05 |
| PARTS DIAGRAM | 07 |

OPERATIONAL PROCEDURES

| | |
|-----------------------|----|
| IMPORTANT USAGE NOTES | 08 |
| CLEANING INSTRUCTIONS | 09 |

MAINTENANCE & INSPECTION

| | |
|-------------------------|----|
| MAINTENANCE REGIME | 10 |
| SAFETY DECALS | 10 |
| VISUAL INSPECTION SHEET | 11 |

GENERAL SAFETY INSTRUCTIONS

| | |
|---------------------|----|
| SAFETY INSTRUCTIONS | 12 |
| GENERAL NOTES | 13 |

LEGAL

| | |
|--------------------------------------|----|
| TERMS AND CONDITIONS | 14 |
| EC DECLARATION OF CONFORMITY | 18 |
| STANDARDS AND REGULATIONS APPLICABLE | 19 |

INTRODUCTION

OVERVIEW

The Conquip Concrete Coneflow Skip is a general all-purpose skip for placing of concrete.

Designed to be laid horizontally when being filled, the large opening ensures the skip can be filled directly from the concrete truck. Once filled and ready to pour, the roll frame makes the transition from horizontal fill position to vertical fill position a smooth operation.

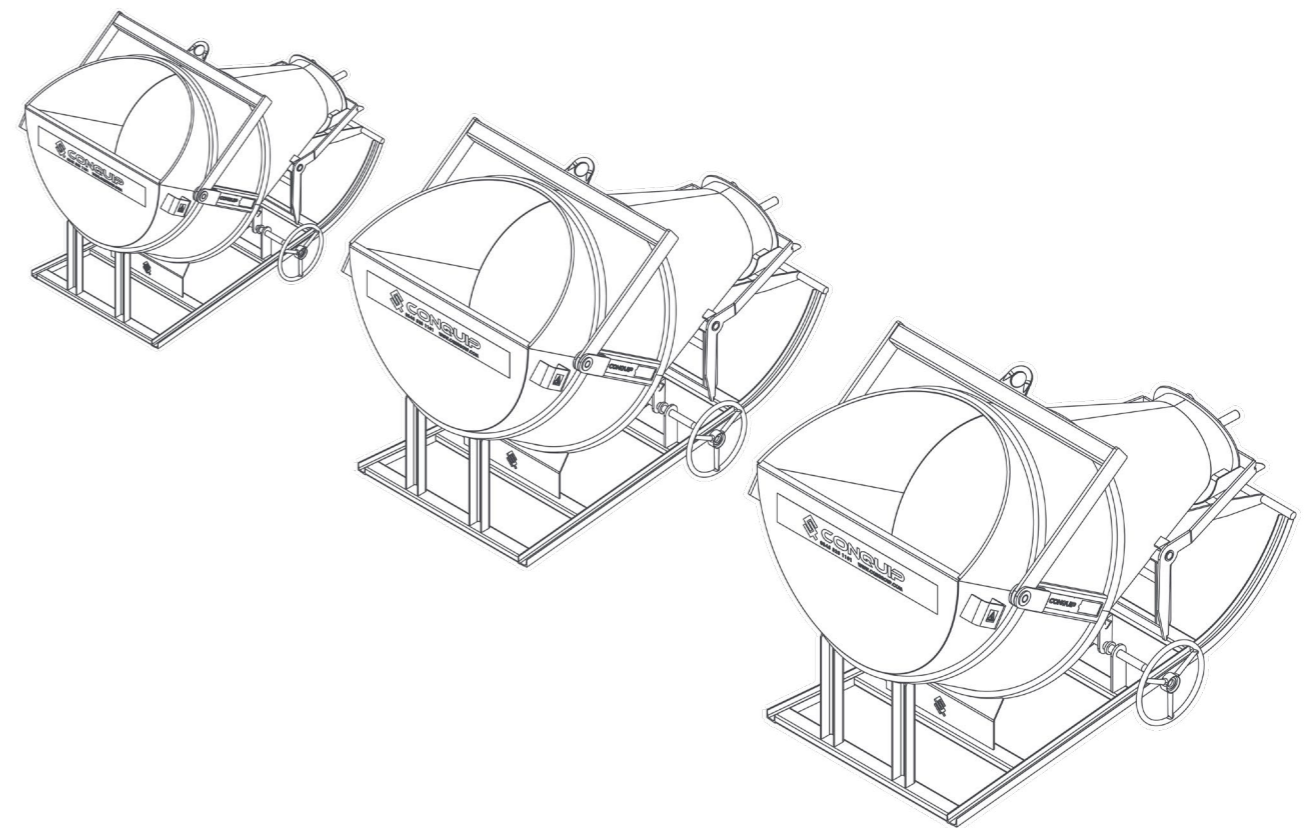
The cone-shaped nose ensures fast and accurate concrete pouring can be achieved and the geared wheel provides easy flow control, making this skip suitable for a range of applications.

KEY BENEFITS

- Cone-shaped nose ensures fast and accurate concrete pouring.
- Geared wheel for easy concrete flow control.
- Skip lays horizontal when being filled, then returns to vertical position for pouring when lifted.
- Roll frame eases fill process and ensures a smooth transition from horizontal fill position to vertical lift position.
- Available in 500-litre, 750-litre and 1000-litre capacities.

SPECIFICATION

THE RANGE

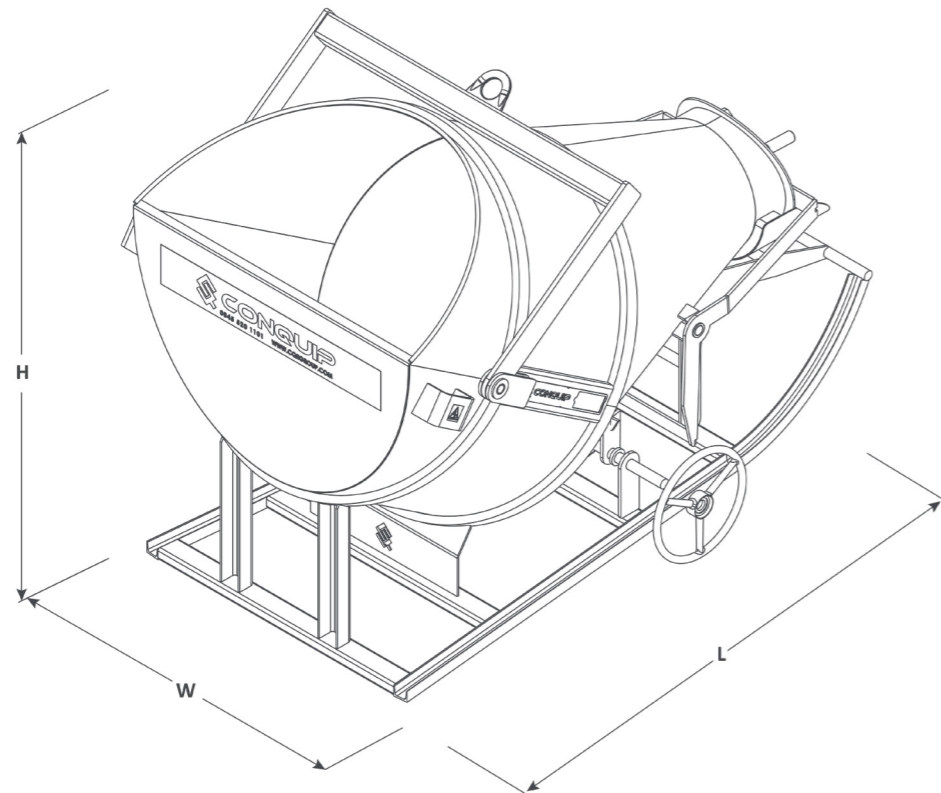


| CODE | TYPE | WEIGHT (kg) | WLL (kg) | CAPACITY (litres) |
|-------------|--------|-------------|----------|-------------------|
| CS206-00500 | Geared | 170 | 1500 | 500 |
| CS206-00750 | Geared | 300 | 2250 | 750 |
| CS206-01000 | Geared | 400 | 3000 | 1000 |

*Working Load Limit

SPECIFICATION

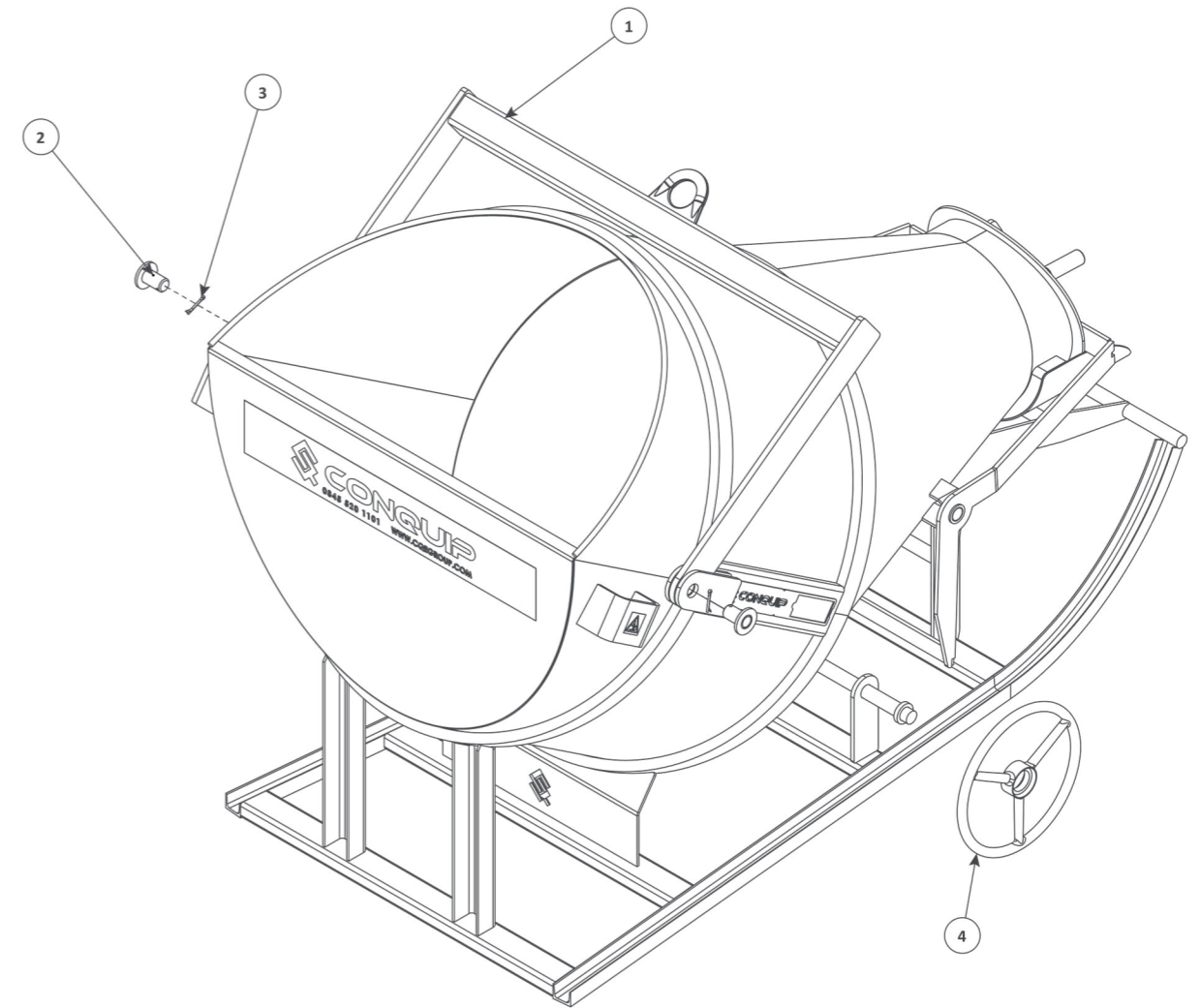
| ITEM | PRODUCT CODE |
|-----------------------------|--------------|
| Concrete Coneflow Skip 500 | CS206-00500 |
| Concrete Coneflow Skip 750 | CS206-00750 |
| Concrete Coneflow Skip 1000 | CS206-01000 |



| LENGTH (mm) | LENGTH WITH BALE (mm) | WIDTH (mm) | HEIGHT (mm) |
|-------------|-----------------------|------------|-------------|
| 1000 | 2300 | 1200 | 1450 |
| 1100 | 2550 | 1200 | 1600 |
| 1240 | 2790 | 1510 | 2290 |

PARTS DIAGRAM

CONCRETE CONEFLOW SKIP



| ITEM NUMBER | PART | DESCRIPTION | QUANTITY |
|-------------|----------|--------------------------|----------|
| 1 | ZZ370006 | Bale Arm for CA206-00500 | 1 |
| | ZZ370011 | Bale Arm for CA206-00750 | |
| | ZZ370021 | Bale Arm for CA206-01000 | |
| 2 | ZZ960027 | 5mm Split Pin | 2 |

NOTE: These parts are for this model, they may differ for previous versions. Please contact Conquip with any queries.

OPERATIONAL PROCEDURES

IMPORTANT USAGE NOTES

- The bale arm must be secured against dropping / swinging down whenever the unit is not in use. This includes during transportation to and from site and when loading and unloading from any vehicle.
- The securing chain should be attached when the unit is in its horizontal position and the bale arm is raised by the attached lifting equipment.
- Tag lines should be used but only to allow for light manoeuvring.
- The bale arm should not be lifted by hand, do not attempt to lift manually.
- It is recommended that you apply skip wax to the skip to assist cleaning. This is available from Conquip.

USAGE INSTRUCTIONS

01. Attach the lifting apparatus' hook to the skip's bale arm lifting point. Always ensure that the hook's gate is correctly closed and the bale arm is seated correctly in the hook.
02. Ensure the skip's flow gate is fully closed and secured.
03. Raise the Concrete Coneflow Skip and carefully manoeuvre to the concrete filling location.
04. Lower the skip to the ground with the mouth of the skip nearest the concrete lorry. When the roll frame comes into contact with the ground, it will assist the skip into a horizontal position.
05. When the skip is in its lowered position, resting on the roll frame, lower the bale arm forward, out of the way of the large opening.
06. Fill the skip at the hopper end with concrete until the skip is full and the load is level. The skip can now be raised and moved to where it is required.
07. To aid manoeuvring, attach control tag to the skip.
08. Carefully raise the skip just off the ground and check for balance and security.
09. Carefully move the load to its required position. Move slowly and carefully; do not jolt the load.
10. When in position, lower the load until suspended above the discharge point.
11. With the skip still suspended by the crane, carefully open the gate by turning the gear or depressing the lever, whichever is relevant for the skip type. Only open the gate sufficiently to allow the load to empty.
12. When discharge is complete, close the flow gate fully and secure it.
13. With the skip empty and free of any load, lower it to the ground into the horizontal position with the bale arm in its lowered, safe position.

14. After use, ensure the skip is thoroughly washed out (see cleaning instructions below).
15. Once thoroughly cleaned and no longer required, ensure the bale arm is in its safe, lowered position, release the lifting apparatus' hook and move it clear.

CLEANING INSTRUCTIONS

01. The skip must be cleaned of all remaining concrete at the end of each work session, or more frequently if required. There can be no excuse for the unit to fail because of hard concrete residue.
02. Thorough cleaning can be achieved if the gate control spring is disconnected; this will allow you to open the gate fully for hosing down. Always take extreme caution when releasing the gate control. Do not tie the gate control lever in the open position.
03. Once thoroughly cleaned, the spring must be re-fitted to keep the gate closed. If you do not, concrete residue may set in the gate blade channels that will foul its operation.

MAINTENANCE & INSPECTION

MAINTENANCE REGIME

- It is mandatory that the machinery equipment is thoroughly examined regularly, by a qualified engineer, to ensure compliance with relevant regulations. Conquip recommend carrying out a thorough examination every six months.
- This machinery may incorporate various loose and detachable items including, but not limited to pins, bolt assemblies and adaption plates. Refer to the separate requirements for the safe use of those items.
- When not being used, store the unit in a clean, upright condition and in a safe place where it will be protected from thieves and unauthorised users.
- This machinery must be inspected by the responsible person before each use and then regularly, as determined by your risk assessment or working practice. If you have any concerns about the machinery's condition or suitability, do not use it.

VISUAL INSPECTION CHECKLIST

| INSPECTION ITEMS | RESULTS | | COMMENTS |
|---------------------------------------|--------------|----------------|------------------|
| | SATISFACTORY | UNSATISFACTORY | |
| Serial Number | | | CQ..... |
| Product Code | | | |
| Working Load Limit (kg) | | | |
| Conforms to user guide specification. | | | |
| Check bale arm for bends or twists | | | |
| Check lift pivots for wear/damage | | | |
| Check gate operating correctly | | | |
| Check gear wheel operating correctly | | | |
| General visual inspection of the body | | | |
| SIGNATURE | | | |
| Name | Position | Qualification | Signature & Date |
| | | | |

GENERAL SAFETY INSTRUCTIONS

The machinery should be properly operated and maintained to keep it in a safe, efficient operating condition. Be sure that all fixings and components are free of mud or other matter that might cause issues hazardous to the operator, serviceman, or other personnel or equipment. Report all malfunctions to those responsible for maintenance, and do not operate the equipment until corrected. Normal service or maintenance performed as required can prevent unexpected and unnecessary downtime.

This operations manual describes general inspections, servicing and operation with the normal safety precautions required for normal servicing and operating conditions. It is not a guide, however, for abnormal conditions or situations, and therefore, servicemen and operators must be safety conscious and alert to recognise potential servicing or operating safety hazards at all times, and take necessary precautions to assure safe servicing and operation of the machine.



M002
Refer to instructions manual



M004
Wear eye protection



M008
Wear safety footwear



M009
Wear protective gloves



M010
Wear protective clothing



M014
Wear head protection



M015
Wear high-visibility clothing

GENERAL NOTES

- Read this operations manual and learn the operating characteristics and limitations of the machinery. Know what operating clearances the machine requires.
- Read and understand all the safety signs prior to operation.
- If the safety signs are obstructed by dirt or debris, clean them using mild soap and water prior to operation.
- If the safety signs are damaged or illegible, replace them immediately, prior to operation.
- Be aware of operating hazards that weather changes can create on the job. Know proper procedures to follow when a severe rain or electrical storm strikes.
- Never attempt to operate or work on machinery when not feeling physically fit.
- Never wear loose clothing, rings, watches, heavy gloves etc., that might catch and result in injury.
- Know what safety equipment is required and use it. Such equipment may be: hard hat, safety glasses, reflector type vests, protective gloves and safety footwear.

TERMS & CONDITIONS

CONQUIP ENGINEERING GROUP STANDARD PRODUCT WARRANTY

01. COMMENCEMENT

1.1 This Warranty shall commence on the Commencement Date and shall continue until the earlier of:

- (a) the Expiry Date; or
- (b) the date on which it may be voided in accordance with clause 4.1(b) when it shall terminate automatically without notice.

02. DUTY OF GOOD FAITH

2.1 The Purchaser shall in the exercise of its rights under this Warranty and in the compliance with its obligations under this Warranty be subject to and shall in all respects owe and comply with a duty of good faith to the Warrantor.

03. NATURE AND EXTENT OF COVER

3.1 Subject to clause 3.2 the Warrantor agrees and undertakes to the Purchaser that it shall be liable to the Purchaser under and in accordance with the terms of this Warranty in the event that:

- (a) prior to the Expiry Date the Purchaser shall notify a Warranty Claim to the Warrantor; and
- (b) the Equipment or any relevant part of the Equipment shall have become unusable as the result of defective material or defective workmanship prior to the Expiry Date.

3.2 The Warrantor's obligation under clause 3.1 shall be expressly subject to the provisions of clauses 4, 5 and 6 and conditional upon the Purchaser's compliance in full with the provisions of clause 7.

04. RESTRICTIONS

4.1 The following restrictions apply to this Warranty:

- (a) This Warranty is personal to the Purchaser and neither the legal benefit nor legal burden of this warranty may be assigned or novated or otherwise transferred by the Purchaser to any other party. Any purported assignment, novation or transfer shall not be binding upon the Warrantor.
- (b) This Warranty shall be void in the event that the Purchaser:

- (i) cannot provide authentic and original documentary evidence that the Purchaser has during the period between the Commencement Date and the Expiry Date complied with the Maintenance and Servicing Requirements; and/or
- (ii) has, during the period between the Commencement Date and the Expiry Date, exceeded the Purchaser's Usage Cycle Parameters; and/or
- (iii) has, during the period between the Commencement Date and the Expiry Date, exceeded the Purchaser's Use Parameters; and/or
- (iv) has carried out, or procured the carrying out by any third party of, any repair to the Equipment or any part of the Equipment which is not an Authorised Repair; and/or
- (v) has operated the Equipment after having replaced any part of the Equipment with a part which has not been supplied and fitted by the Warrantor; and/or
- (vi) has modified the Equipment in any way prior to use.

05. EXCLUSIONS

5.1 The following are excluded from the scope of this Warranty:

- (a) Loss of and/ or damage to the Equipment or any part of it resulting from any collision between the Equipment and any other fixed or stationary or mobile object whatsoever, irrespective of whether that collision was or was not caused by the Purchaser; and/or
- (b) Loss of and/or damage to any personal property and/or possessions or other equipment not forming part of the Equipment but which is present in or about the Equipment; and/or
- (c) loss and/or damage which is covered by any other insurance policy taken out and maintained by the Purchaser or in respect of which the Purchaser has a contractual obligation to do so; and/or
- (d) loss and/or damage to the equipment which is consistent with the use by the Purchaser of the Equipment:
 - (i) in compliance with the Maintenance and Servicing Requirements; and
 - (ii) in compliance with the Usage Cycle Parameters; and
 - (iii) in compliance with the Use Parameters; and
 - (iv) having only carried out Authorised Repairs to the Equipment; and
 - (v) having all and any replacement parts fitted by the Warrantor; and
 - (vi) in unmodified form.

06. LIMITATION OF LIABILITY

6.1 The Warrantor's liability to the Purchaser shall be limited as follows:

- (a) The Warrantor shall not in any circumstances be liable to the Purchaser for indirect and/or consequential and/or economic loss suffered and/or incurred as the case may be by the Purchaser; and
- (b) The Warrantor shall only be liable to the Purchaser for the reasonable and proper costs reasonably and properly incurred by the Purchaser directly in connection with the repair and/or replacement (at the Warrantor's absolute discretion) of the Equipment or any part of the Equipment; and
- (c) The Warrantor's liability to the Purchaser shall notwithstanding any other provision of this Warranty, not in any circumstances exceed the Purchase Price of the Equipment.

07. WARRANTY CLAIMS

7.1 The Purchaser shall in respect of any claim against the Warrantor under this Warranty and within 24 hours of the occurrence of the subject matter of the Warranty Claim:

- (a) Complete in full and submit to the Warrantor a Warranty Claim in the form annexed to Schedule 4;
- (b) Provide date stamped or date identifiable photographs evidencing the claim; and
- (c) Make the Equipment or the relevant part of the Equipment available to the Warrantor for inspection within 48 hours of notification of the relevant Warranty Claim.

08. ENTIRE AGREEMENT

8.1 This Warranty constitutes the entire agreement between the parties and supersedes and extinguishes all previous promises, assurances, warranties, representations and understandings between them, whether written or oral, relating to its subject matter.

8.2 Each party agrees that it shall have no remedies in respect of any statement, representation, assurance or warranty (whether made innocently or negligently) that is not set out in this Warranty. Each party agrees that it shall have no claim for innocent or negligent misrepresentation or negligent misstatement based on any statement in this Warranty.

No variation of this Warranty shall be effective unless it is in writing and signed by the parties (or their authorised representatives).

09. WAIVER

No failure or delay by a party to exercise any right or remedy provided under this Warranty or by law shall constitute a waiver of that or any other right or remedy, nor shall it prevent or restrict the further exercise of that or any other right or remedy. No single or partial exercise of such right or remedy shall prevent or restrict the further exercise of that or any other right or remedy.

10. SEVERANCE

10.1 If any provision or part-provision of this Warranty is or becomes invalid, illegal or unenforceable, it shall be deemed deleted, but that shall not affect the validity and enforceability of the rest of this Warranty.

10.2 If any provision or part-provision of this Warranty is deemed deleted under clause 10.1 the parties shall negotiate in good faith to agree a replacement provision that, to the greatest extent possible, achieves the intended commercial result of the original provision.

11. THIRD PARTY RIGHTS

11.1 This Warranty does not give rise to any rights under the Contracts (Rights of Third Parties) Act 1999 to enforce any term of this Warranty.

12. GOVERNING LAW

12.1 This Warranty and any dispute or claim (including non-contractual disputes or claims) arising out of or in connection with it or its subject matter or formation shall be governed by and construed in accordance with the law of England and Wales.

13. JURISDICTION

13.1 Each party irrevocably agrees that the courts of England and Wales shall have exclusive jurisdiction to settle any dispute or claim (including non-contractual disputes or claims) arising out of or in connection with this Warranty or its subject matter or formation.

EC DECLARATION OF CONFORMITY

IN ACCORDANCE WITH EN ISO 17050-1:2004

Declaration: As defined by the Machinery Directive 2006/42/EC and subsequent amendments

We, CONQUIP ENGINEERING GROUP, herewith declare that the following indicated equipment meets the fundamental health and safety requirements concerning the EU guideline(s), due to their design and manufacture.

This declaration will be rendered null and void if the machine is changed without our approval.

SIGNED:

DATED: 2024

Garry Critchley, Managing Director

| PRODUCT CODES | GENERAL DESCRIPTION / DESIGNATION | WORKING LOAD LIMIT |
|---------------|-----------------------------------|--------------------|
| CS206-00500 | Concrete Coneflow Skip 500 | 1500kg |
| CS206-00750 | Concrete Coneflow Skip 750 | 2250kg |
| CS206-01000 | Concrete Coneflow Skip 1000 | 3000kg |

| ITEM | CODE | DESCRIPTION |
|--------------------------------|----------------------|--|
| EC DIRECTIVE/REGULATION | 2006/42/EC | Directive 2006/42/EC- new machinery directive |
| HARMONISED STANDARDS | BS EN ISO 12100:2010 | Safety of machinery General principles for design Risk assessment and risk reduction |
| OTHER REGULATIONS | LOLER 1998 | Lifting Operations and Lifting Equipment Regulations 1998 (LOLER) |
| | PUWER 1998 | Provision and Use of Work Equipment Regulations 1998 (PUWER) |

TALKING TO US IS EASY
WE'RE HERE TO HELP

Call us on 0333 300 3470
Email us at sales@cqegroup.com
www.cqegroup.com

