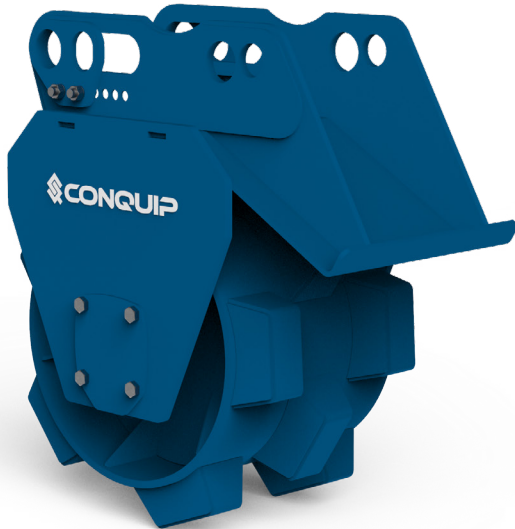




User Guide

# Excavator Compaction Wheel

---



## Product Information

### **Overview**

---

An excavator attachment for compacting ground material.

The Excavator Compaction Wheel reduces voids in ground material and increases its density, providing the surface with load-bearing strength. It has been designed primarily for use in trenches and on embankments.

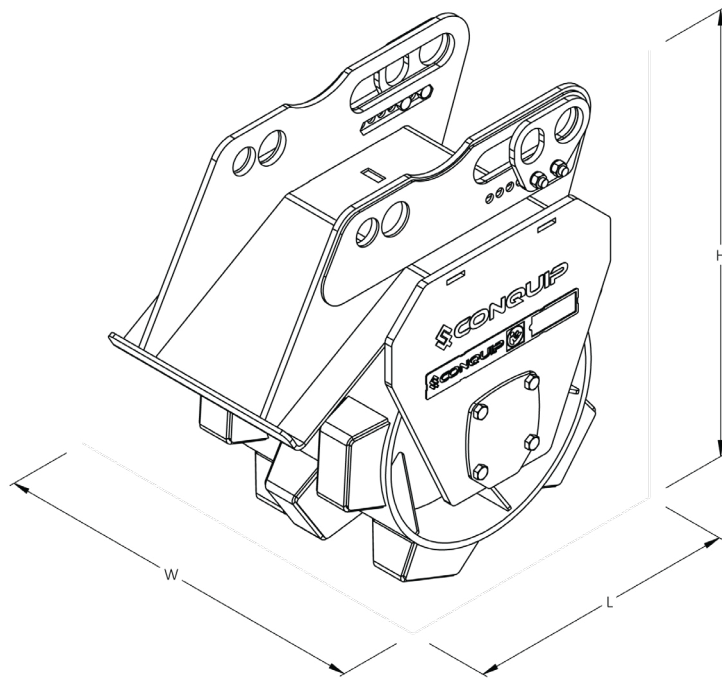
The key benefit of using a compaction wheel is that the excavator's own weight is used to deliver force. This provides better compaction performance compared to a standard compaction plate or a trench roller. An integrated stand keeps the Excavator Compaction Wheel upright when not in use and aids the operator when attaching it to the excavator.

### **Key Benefits**

- Strong, compact design.
- No motor or hydraulic connections required.
- Quick and simple to attach.
- Stand allows wheel to be stored in the upright position when not in use.
- Supplied with 65mm or 80mm pins to suit 13-22 tonne excavators.

## Product Information Specification

| Item                       | Product Code  |
|----------------------------|---------------|
| Excavator Compaction Wheel | EA023AB-02000 |

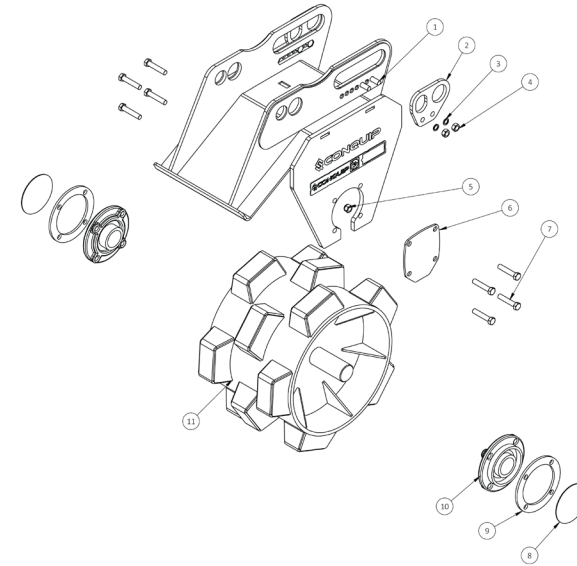


<sup>1</sup>Working Load Limit

| Product Code  | Compatibility     | Height | Length | Width | Compaction Width | Weight |
|---------------|-------------------|--------|--------|-------|------------------|--------|
| EA023AB-02000 | 13-22t Excavators | 1070mm | 1010mm | 630mm | 500mm            | 510kg  |

## Product Information Parts Diagram

### Excavator Compaction Wheel



NOTE: These parts are for this model, they may differ for previous versions. Please contact Conquip with any queries.

| Item Number | Part Number          | Description                       | Quantity |
|-------------|----------------------|-----------------------------------|----------|
| 1           | NS800878             | M20x50 Hex Head Set Screw         | 4        |
| 2           | ZZ130137             | Adjustment Plate for Type 2 Hitch | 2        |
| 3           | NS800886             | M20 Spring Washer                 | 12       |
| 4           | NS800280             | M20 Full Nut                      | 4        |
| 5           | NS800841             | M20 Nyloc Nut                     | 8        |
| 6           | EA023AB-02000-03     | Stopper Plate                     | 2        |
| 7           | NS800589             | M20x100 Hex Head Set Screw        | 8        |
| 8           | EA023AB-02000-05     | HDPE Wear Plate                   | 2        |
| 9           | EA023AB-02000-06     | Packer                            | 2        |
| 10          | Flanged Bearing 80mm | Flanged Bearing 80mm              | 2        |
| 11          | EA023AB-02000-02     | Wheel                             | 1        |

## Original Working Instructions

# Usage Instructions

---

### Important Usage Notes

- This excavator attachment is designed to withstand a force of 220 kN.
- Confirm the work area is clear of all obstructions with adequate room around the unit for the operator to work safely.
- Check that the quick hitch is securely attached to the excavator arm following the manufacturers' instructions and giving special attention to any safety features.
- Determine whether this product is compatible with your excavator lifting table before using. (Refer to the manufacturer's user guide)
- Ensure that all personnel are clear of the excavator when manoeuvring.
- Product can only be handled using an excavator.
- Personnel must stand clear of the machine and compaction wheel whilst in use as there is a risk of crushing.
- If there is a slinger/signaller, they should remain visible to the driver.
- Excavator Operators should allow for any rough or sloping ground when assessing the method of operation.
- Ensure the unit is resting on the stand when not in use.
- Designed to fit to 13-22t excavators.
- To achieve optimum performance levels from the Excavator Compaction Wheel, Conquip recommend greasing the bearings before each use.

### Using with an Excavator

1. Select relevant size pins to match your machine's quick hitch.
2. Fit front pin to correct sized hole on the Excavator Forks.
3. Adjust the position of rear pin to suit the quick hitch- follow the quick hitch operating guidelines and set the pins to the maximum centres for the unit.
4. Ensure the quick hitch pins have the retaining bolts and washers and they are correctly fitted.
5. Check for debris in the quick hitch locking mechanism and check the fit of the unit on the quick hitch, do not use if not secure.

## Original Working Instructions

# Usage Instructions

---

### Using with an Excavator continued...

6. Attach the Excavator Compaction Wheel.
7. Move the excavator arm back and forth in straight lines, maintaining even pressure where possible, to achieve the most even and consistent compaction.
8. Once the Excavator Compaction Wheel is no longer needed, release from the quick hitch.
9. Use integrated stand to store upright when not in use.

# Original Working Instructions

## Safety Instructions

### Basic Safety

A site-specific Risk Assessment, and lift plan where applicable, must be completed by the responsible person before using this equipment to control risks, produce a safe system of work and ensure safety for you, your colleagues and others. Your risk assessment will determine the correct Personal Protective Equipment (PPE) for the task you are doing. You must use it. Conquip recommends that you should wear:

- Suitable clothing
- Gloves
- Hard hat
- Protective footwear (steel toecaps)
- Safety glasses



### Important Safety Notes

- Read these instructions before using this equipment. If there is anything you do not understand or if you have any concerns do not use this equipment. Contact your supervisor or Conquip Engineering Group for advice.
- You must check that you have considered all the safety requirements for the task you are doing and that this equipment is suitable.
- You must protect bystanders and the general public by preventing access to the working area.
- Do not use this equipment if you are tired, unwell or under the influence of alcohol or drugs. If you are taking any medicine or undergoing treatment you should inform your supervisor.

### Usage & Transportation

- Never unevenly load this equipment.
- The weight of the equipment, together with its attachments, must be added to the weight of the load when calculating the total load that will be imposed on the lifting apparatus / operating machine.
- This equipment must be used in conjunction with the load ratings of the lifting apparatus / operating machine. (Refer to the manufacturers' load ratings and original working instructions).
- Make sure you know how to use this equipment and understand all aspects of its operation in case of emergency.
- This equipment weighs more than 25kg. Do not lift or manhandle without machine assistance.
- Do not operate this equipment near overhead power lines.
- Take care in confined spaces, near ceilings or similar hazards. This equipment was designed for vertical lifting. Do not drag, or swing.
- Before operating this equipment, check that you have enough space for you to work safely and make sure that the working area is clear of hazards, obstructions and personnel.
- Before lowering equipment make sure that the landing zone is clear and capable of accepting the size and weight of the load.
- Crush Risk. Keep hands and feet clear of the equipment at all times to avoid injury.
- Do not exceed the maximum Working Load Limit (WLL) shown on the serial plate. Ensure that the WLL on the individual lift points is not exceeded.
- Before lifting, check that the load is secured, balanced and stable. Allow space for the equipment to move if the load shifts.
- Manoeuvre loaded or raised equipment carefully. Travel and turn slowly to avoid unit becoming unstable.

### Personnel

- All personnel must wear relevant personal protective equipment.
- Do not wear loose clothing or jewellery and tie back long hair to avoid becoming tangled or trapped in this equipment. You must make everyone in the work area aware of what you are doing.
- All personnel involved in the lifting operation must be competent to do so and must have been briefed in conjunction with this User Guide available from Conquip Engineering Group, the manufacturer.

### Equipment Maintenance & Cleaning

- It is mandatory that the equipment is thoroughly examined regularly, by a qualified engineer, to ensure compliance with relevant regulation/s. (Conquip recommend to carry out thorough examination every six months).
- This product may incorporate various loose and detachable items of lifting gear. Refer to the separate requirements for the safe use of those items.
- When not being used, store the unit in a clean, upright condition and in a safe place where it will be protected from thieves and unauthorised users.
- This equipment must be inspected by the responsible person before each use and then regularly, as determined by your risk assessment or working practice. If you have any concerns about condition or suitability do not use.

# Disclaimer

## Warranty

The products supplied by Conquip Engineering Group are all guaranteed by a 12 month warranty.

Apart from where exceptions apply, Conquip Engineering Group promises to repair or replace any fault which the Company considers to be due to defective material or workmanship within 12 months of the date of sale, at no additional cost.

- Faults arising from unauthorised alterations (see modifications section below for full details).
- Damage caused by abuse, neglect, misuse or falling.
- Damage caused because of failure to follow transportation, storage, loading, cleaning or operating instructions.
- Replacement or repair of components due to fair wear and tear.
- Any consequential damage or wear arising from the use or fitting of additional or non-standard parts.

## Modifications

If any third-party modifications or alterations, involving drilling, welding, cutting or distortion of materials in any form, are to be carried out on the product, Conquip Engineering Group must provide full written approval prior to the work being carried out.

Alterations, modifications, additions or repairs must be carried out by Conquip Engineering Group's recognised distributors, if they are not carrying out the work themselves.

Conquip Engineering Group operate a continuous improvement policy and therefore reserve the right to alter technical specifications and user guide details at any point without notice.

Conquip Engineering Group will not cover or reimburse any transportation and/or shipment costs to and from their premises or their recognised agents, or any material and/or labour costs for repair, replacement or assessment against a warranty claim.

Conquip Engineering Group and/or their directors, employees, insurers or recognised agents will not be held liable for consequential damages, losses or expenses relating to the inability to use the product correctly for its purpose.

# EC Declaration of Conformity

## In accordance with EN ISO 17050-1:2004

Declaration: As defined by the Machinery Directive 2006/42/EC and subsequent amendments

We, CONQUIP ENGINEERING GROUP, herewith declare that the following indicated equipment meets the fundamental health and safety requirements concerning the EU guide line(s), due to their design and manufacture.

This declaration will be rendered null and void if the machine is changed without our approval.

Signed:



Dated: 2022

Garry Critchley, Managing Director

|   |  |
|---|--|
| <b>Product Code(s):</b>                 | EA023AB-02000  |
| <b>EC Directive/Regulation:</b>         | 2006/42/EC,<br>Lifting Operations and Lifting Equipment Regulations 1998<br>Provision and Use of Work Equipment Regulations 1998 |
| <b>Harmonised Standards:</b>            | BS EN ISO 12100:2010   |
| <b>General Description/Designation:</b> | Excavator Compaction Wheel – EA023AB-02000   |
| <b>WLL:</b>                             | N/A  |

## Important Notes

- This User Guide is for this Conquip product only.
- Any movements of the product must be thoroughly planned before the work commences to identify potential hazards and assess risk.
- All personnel involved in lifting and transportation of this product must have read this User Guide and must be properly briefed.
- You must be competent, alert and medically fit when using this equipment. If you have a medical condition, a mental or physical disability, you must seek advice from a medical professional before using this equipment.

Talking to us is easy

**We're here to help**

Call us on +44 (0) 333 3000 3470

Email us at [sales@cqegroup.com](mailto:sales@cqegroup.com)

[www.cqegroup.com](http://www.cqegroup.com)

**Conquip Engineering Group**

Waterbrook Estate, Alton, Hampshire, GU34 2UD