



User Guide

COSHH Store



Product Information

Overview

Walk-in storage container designed for secure storage of chemical and other hazardous or flammable substances.

The Conquip COSHH Store has a weather-proof finish and secure, locking doors preventing unauthorised access and making it ideal for use on a construction site or in a plant yard.

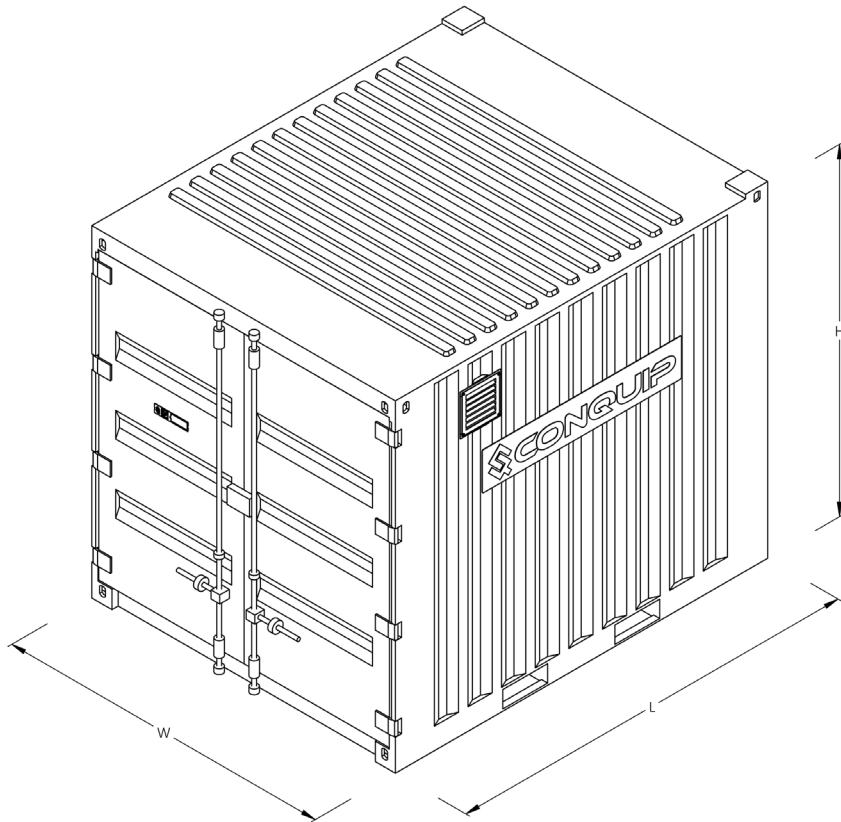
Shelving along one side and across the back of the unit provides suitable storage for smaller items and double doors allow for easy access. Featuring a large 1000 litre spillage sump to prevent hazardous substances causing harm to the environment, the COSHH Store is a best-practice solution for storage of 205-litre drums and other smaller containers.

Key Benefits

- 1000-litre bunded spillage sump with a mesh floor to protect personnel from spillage and ensure minimum contamination of other goods.
- Double doors provide easy access and allow palletised COSHH drums to be placed inside without double handling.
- Lockable doors prevent unauthorised access providing ultimate security.
- Shelving along one side and the back of the unit provides large storage space for 25-litre and smaller capacity drums.
- Large bund allows for storage of IBCs if required.
- Complete with certified lifting eyes and fork pockets for ease of transportation.
- Best practice COSHH storage option.

Product Information Specification

Item	Product Code
COSHH Store	ST125AF-16000

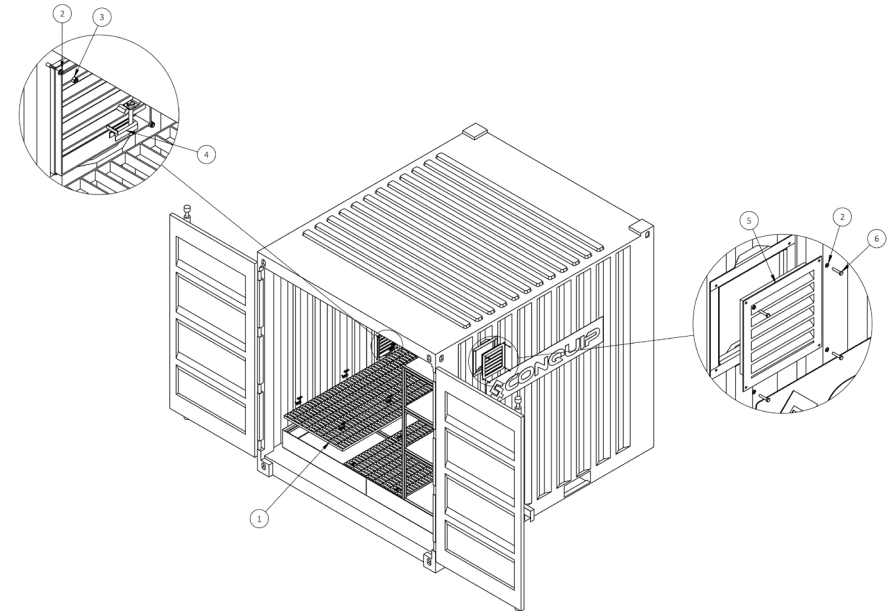


¹Working Load Limit

Product Code	Height	Width	Length	Weight	Capacity	WLL ¹ (Per shelf)	WLL ¹ (Bund)
ST125AF-16000	2630mm	2400mm	3000mm	1870kg	1100-litre	700kg	1000kg

Product Information Parts Diagram

COSHH Store



NOTE: These parts are for this model, they may differ for previous versions. Please contact Conquip with any queries.

Item Number	Part Number	Description	Quantity
1	ST125AF-16000-01	Kennedy Grating	2
2	NS800737	M6 Flat Washer	16
3	NS800826	M6 Nyloc Nut	12
4	ZZ980670	Grating Attachment Clamp Fitting	12
5	ZZ990831	Weather Louvre 300mm x 300mm	2
6	NS800996	M6x30 Hex Head Set Screw 8.8	8

Original Working Instructions

Usage Instructions

Important Usage Notes

- The COSHH Store is only designed to be lifted when empty, do not lift if it is being used to store materials.
- 1000-litre, fully bunded spillage sump, ensure that no container contains more than 1000 litres of liquid.
- Only transport when empty (bund and shelves).
- Check bund regularly for spills. Drain if bund has fluid in.
- When loading shelves with large loads space out suitably to spread the load.

Lifting with a Forklift

1. To lift the COSHH Store with a forklift, set the machine's forks to the correct width of the fork pockets. Make sure that they are equidistant from the centre.
2. Drive the forklift to the COSHH Store aligning the forks with the fork pockets.
3. Move the forklift forward until the forks are fully inserted into the fork pockets. The COSHH Store is now ready to lift.
4. Carefully raise the store just off the ground and check for balance and security.
5. Carefully transport the store to its required destination, taking care not to jolt.
6. When in position, the store can be lowered onto firm, level ground.
7. Reverse the forklift back and clear of the store.

Lifting with a Crane

1. Attach a suitable four leg chain sling to the four lifting points.
2. Carefully raise the store just off the ground and check for balance and security.
3. Carefully transport the store to its required destination, taking care not to jolt.
4. When in position, the store can be lowered on to firm, level ground.

Original Working Instructions

Usage Instructions

5. Detach the store from the lifting chains.

Usage Instructions

1. Load as required, using the shelving inside the store.
2. Ensure the doors are shut and securely locked when the store is not in use or being supervised. It is the responsibility of the supervisor that no harmful chemicals are removed by unauthorised users.
3. If a spillage occurs, it can safely and easily be cleaned up by removing the mesh grating on the floor and washing down. Ensure the mesh is refitted once cleaned.
4. To empty the bund, unlock the grating clamps and use a minimum of two operatives to remove the grating. Place grating to one side and remove spilt waste by pumping it out into a suitable hazardous waste bin.
5. Once all of the waste has been removed from the bund, pick up the a grating and place back in position on top of the bund. Secure with the grating clamps.

Original Working Instructions

Safety Instructions

Basic Safety

A site-specific Risk Assessment, and lift plan where applicable, must be completed by the responsible person before using this equipment to control risks, produce a safe system of work and ensure safety for you, your colleagues and others. Your risk assessment will determine the correct Personal Protective Equipment (PPE) for the task you are doing. You must use it. Conquip recommends that you should wear:

- Suitable clothing
- Gloves
- Hard hat
- Protective footwear (steel toecaps)
- Safety glasses



Important Safety Notes

- Read these instructions before using this equipment. If there is anything you do not understand or if you have any concerns do not use this equipment. Contact your supervisor or Conquip Engineering Group for advice.
- You must check that you have considered all the safety requirements for the task you are doing and that this equipment is suitable.
- You must protect bystanders and the general public by preventing access to the working area.
- Do not use this equipment if you are tired, unwell or under the influence of alcohol or drugs. If you are taking any medicine or undergoing treatment you should inform your supervisor.

Usage & Transportation

- Never unevenly load this equipment.
- The weight of the equipment, together with its attachments, must be added to the weight of the load when calculating the total load that will be imposed on the lifting apparatus / operating machine.
- This equipment must be used in conjunction with the load ratings of the lifting apparatus / operating machine. (Refer to the manufacturers' load ratings and original working instructions).
- Make sure you know how to use this equipment and understand all aspects of its operation in case of emergency.
- This equipment weighs more than 25kg. Do not lift or manhandle without machine assistance.
- Do not operate this equipment near overhead power lines.
- Take care in confined spaces, near ceilings or similar hazards. This equipment was designed for vertical lifting. Do not drag, or swing.
- Before operating this equipment, check that you have enough space for you to work safely and make sure that the working area is clear of hazards, obstructions and personnel.
- Before lowering equipment make sure that the landing zone is clear and capable of accepting the size and weight of the load.
- Crush Risk. Keep hands and feet clear of the equipment at all times to avoid injury.
- Do not exceed the maximum Working Load Limit (WLL) shown on the serial plate. Ensure that the WLL on the individual lift points is not exceeded.
- Before lifting, check that the load is secured, balanced and stable. Allow space for the equipment to move if the load shifts.
- Manoeuvre loaded or raised equipment carefully. Travel and turn slowly to avoid unit becoming unstable.

Personnel

- All personnel must wear relevant personal protective equipment.
- Do not wear loose clothing or jewellery and tie back long hair to avoid becoming tangled or trapped in this equipment. You must make everyone in the work area aware of what you are doing.
- All personnel involved in the lifting operation must be competent to do so and must have been briefed in conjunction with this User Guide available from Conquip Engineering Group, the manufacturer.

Equipment Maintenance & Cleaning

- It is mandatory that the equipment is thoroughly examined regularly, by a qualified engineer, to ensure compliance with relevant regulation/s. (Conquip recommend to carry out thorough examination every six months).
- This product may incorporate various loose and detachable items of lifting gear. Refer to the separate requirements for the safe use of those items.
- When not being used, store the unit in a clean, upright condition and in a safe place where it will be protected from thieves and unauthorised users.
- This equipment must be inspected by the responsible person before each use and then regularly, as determined by your risk assessment or working practice. If you have any concerns about condition or suitability do not use.

Disclaimer

Warranty

The products supplied by Conquip Engineering Group are all guaranteed by a 12 month warranty.

Apart from where exceptions apply, Conquip Engineering Group promises to repair or replace any fault which the Company considers to be due to defective material or workmanship within 12 months of the date of sale, at no additional cost.

- Faults arising from unauthorised alterations (see modifications section below for full details).
- Damage caused by abuse, neglect, misuse or falling.
- Damage caused because of failure to follow transportation, storage, loading, cleaning or operating instructions.
- Replacement or repair of components due to fair wear and tear.
- Any consequential damage or wear arising from the use or fitting of additional or non-standard parts.

Modifications

If any third-party modifications or alterations, involving drilling, welding, cutting or distortion of materials in any form, are to be carried out on the product, Conquip Engineering Group must provide full written approval prior to the work being carried out.

Alterations, modifications, additions or repairs must be carried out by Conquip Engineering Group's recognised distributors, if they are not carrying out the work themselves.

Conquip Engineering Group operate a continuous improvement policy and therefore reserve the right to alter technical specifications and user guide details at any point without notice.

Conquip Engineering Group will not cover or reimburse any transportation and/or shipment costs to and from their premises or their recognised agents, or any material and/or labour costs for repair, replacement or assessment against a warranty claim.

Conquip Engineering Group and/or their directors, employees, insurers or recognised agents will not be held liable for consequential damages, losses or expenses relating to the inability to use the product correctly for its purpose.

EC Declaration of Conformity

In accordance with EN ISO 17050-1:2004

Declaration: As defined by the Machinery Directive 2006/42/EC and subsequent amendments

We, CONQUIP ENGINEERING GROUP, herewith declare that the following indicated equipment meets the fundamental health and safety requirements concerning the EU guide line(s), due to their design and manufacture.

This declaration will be rendered null and void if the machine is changed without our approval.

Signed:



Dated: 2021

Garry Critchley, Managing Director

Product Code(s):	ST125AF-16000
EC Directive/Regulation:	2006/42/EC, Lifting Operations and Lifting Equipment Regulations 1998 Provision and Use of Work Equipment Regulations 1998
Harmonised Standards:	BS EN ISO 12100:2010
General Description/Designation:	COSHH Store – ST125AF-16000
WLL:	ST125AF-16000 = N/A

Important Notes

- This User Guide is for this Conquip product only.
- Any movements of the product must be thoroughly planned before the work commences to identify potential hazards and assess risk.
- All personnel involved in lifting and transportation of this product must have read this User Guide and must be properly briefed.
- You must be competent, alert and medically fit when using this equipment. If you have a medical condition, a mental or physical disability, you must seek advice from a medical professional before using this equipment.

Talking to us is easy

We're here to help

Call us on +44 (0) 333 3000 3470

Email us at sales@cqegroup.com

www.cqegroup.com

Conquip Engineering Group

Waterbrook Estate, Alton, Hampshire, GU34 2UD