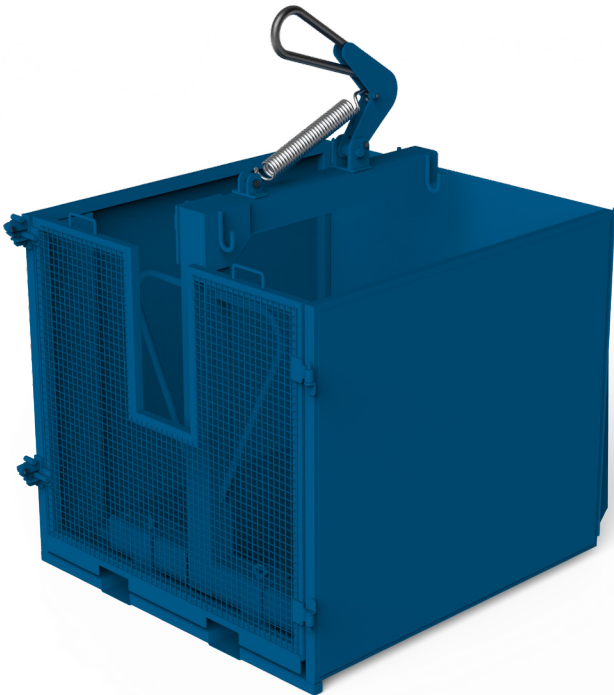


User Guide

Crane Forks Cage



Product Information Specification

Item	Product Code
Crane Forks Cage	CA147AC-02000

Product Information Overview

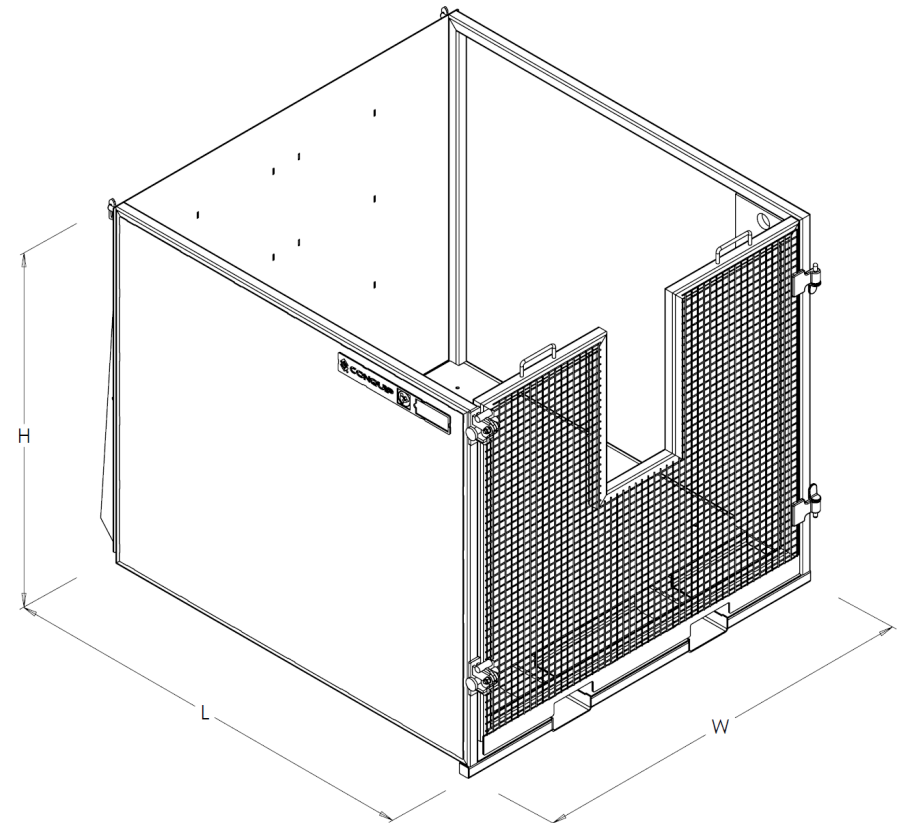
The Crane Forks Cage is a steel box for safely carrying pallets of bricks or blocks and is only designed for use with Conquip Crane Forks. That includes the fixed and telescopic height models.

The concept was designed in conjunction with leading UK contractors and lifting personnel, following a lot of near-misses and accidents with Crane Forks being used with a net. The main concerns were due to brick pallets or wrapping failing and safety restraint net user error.

As a manufacturer, we recommend this as a fail-safe way of transporting bricks and blocks around a building site, when used with the Crane Forks. It is not a standalone piece of lifting equipment.

Key Benefits

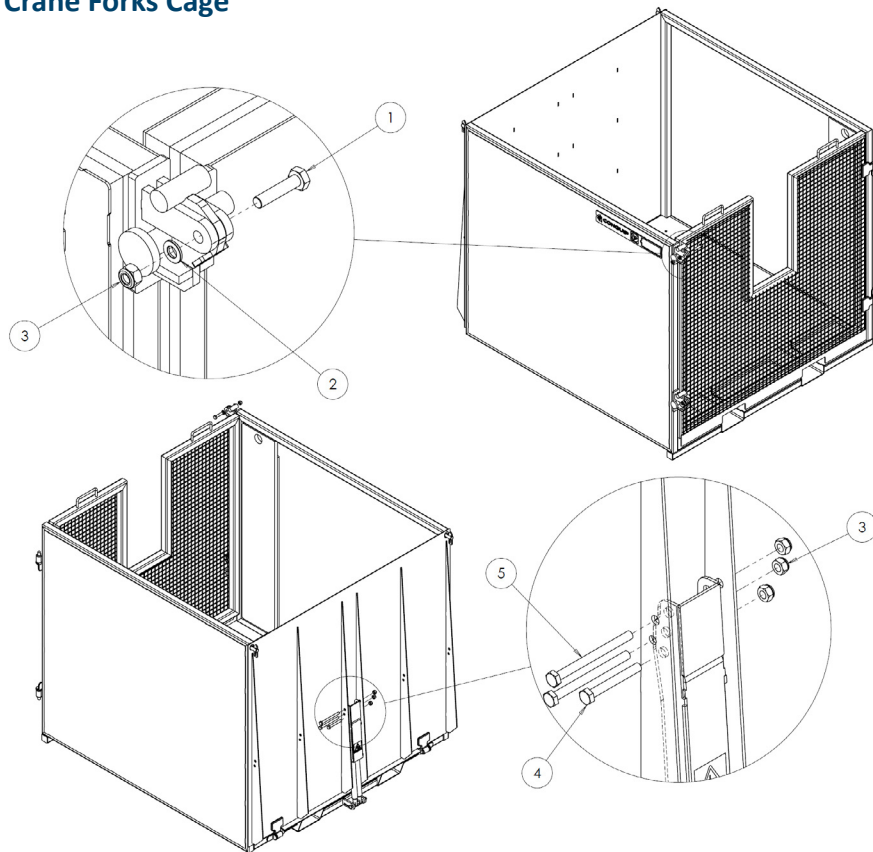
- Best practice method for moving and lifting blocks and bricks.
- Large internal area to suit all known pallet sizes (1200mm length x 1300mm width).
- Lightweight to ensure that all known brick and block packs can be lifted and still be within the Working Load Limit stated for the Conquip Crane Forks.
- Cost effective as it is compatible with existing Conquip Crane Forks.
- Robust latch mechanism to prevent door opening after it has been shut.



¹Working Load Limit

Height	Width	Internal Width	Length	Internal Length	Weight	WLL ¹
1290mm	1390mm	1300mm	1540mm	1200mm	440kg	2000kg

Crane Forks Cage



NOTE: These parts are for this model, they may differ for previous versions. Please contact Conquip with any queries.

Item Number	Part Number	Description	Quantity
1	NS800715	M10 x 45 Hex Head Bolt	2
2	NS800262	M10 Washer Form A	4
3	NS800013	M10 Nyloc Nut	2
4	NS800917	M10 x 80 Hex Head Bolt	1
5	NS800480	M10 x 120 Hex Head Bolt	2

Important Usage Notes

- The Crane Forks Cage must be used with Conquip Crane Forks.
- Check that the Crane Forks are suitably rated to lift the Crane Forks Cage and the load. Ensure adequate room around the unit for the operator to work safely.
- Ensure the cage is positioned on a level piece of ground, where possible.
- If the total height of the load (ie pallet and blocks) is more than 1205mm high, then the telescopic height Crane Forks must be used. However, when using with the telescopic height Crane Forks extra care must be taken to never overload the Crane Forks or the Crane Forks Cage as there is great potential with an increased available height space.
- Do not drag the load; this equipment is for lifting the load clear of the ground.
- Do not allow hands or feet to come between, or below, the forks and the load.
- When not being used, store the unit in a clean condition and in a safe place where it will be protected from thieves and unauthorised users.
- If using the telescopic height Crane Forks, the height of the load should not exceed the height of the sides of the Crane Forks Cage. Also, it is imperative that the forks are height-adjusted to suit the load, rather than constantly lifting at the highest possible setting.

Assembly Instructions

1. Refer to the Crane Forks User Guide to ensure the Crane Forks are set-up and ready to go.

Original Working Instructions

Usage Instructions

Usage Instructions

1. Open the cage door by releasing both door latches simultaneously. Make sure that it will not swing shut, if possible push the door back round on its hinges against the side of the cage.
2. Set the forks of the Crane Forks to the correct width to suit the size of the pallet.
3. Secure any palletised load to the pallet, not simply sitting on it. The load must not be lifted without being secure.
4. Carefully manoeuvre the Crane Forks under the pallet with the forks inserted as far as they will go. The load's length must not be greater than the forks.
5. Raise the load just above the ground and check that the load is central to the forks and correctly balanced.
6. Lift the pallet of blocks or bricks using the Crane Forks and place the pallet in the Crane Forks Cage. Do not lift the forks high above the ground as they have no protection at this stage. An example lift would be from the back of a delivery vehicle into the cage, if the vehicle was close to the cage.
7. Ensure the pallet is situated as near the front of the cage as possible, as described in Fig 1 (Page 8).
8. Move the Crane Forks back out of the pallet.
9. Set the forks of the Crane Forks to the correct width to suit the fork pockets of the Crane Forks Cage. The forks should be evenly spaced from the central column of the Crane Forks.
10. Lower the Crane Forks closer to the ground and insert into the fork pockets of the cage, as described in Fig 2 (Page 9).
11. Close the door of the Crane Forks Cage, behind the Crane Forks, ensuring that both latch mechanisms are engaged completely.
12. Attach the tagline to an attachment point securely, these are situated on the top of the mesh door. If you prefer a lower attachment point, firmly attach the tagline to the mesh at the base of the cage door.
13. The Crane Forks Cage is now ready to lift. Proceed to move the load to its required position. Move slowly and carefully; do not jolt the load.
14. Once the Crane Forks Cage is fully lowered onto a stable, flat surface, detach the chain sling from the Crane Forks.

Original Working Instructions

Usage Instructions

Usage Instructions Continued

15. Lower the ramp to the floor by releasing both anti-loose fasteners.
16. Use a pallet truck to remove the pallet from the cage.
17. Alternatively, the pallet of bricks could be unloaded by hand or in the same way as they were loaded (by opening the gate and using the Crane Forks to lift the pallet out).
18. Lift and secure the ramp in place with the anti-loose fasteners.
19. Reattach the chain sling to the Crane Forks hook.
20. Lift the Crane Forks Cage to where the materials are located to collect the next pallet or load.

Original Working Instructions
Important Loading Instructions

It is mandatory to follow these loading instructions.

Fig 1

How to position the pallet in the cage

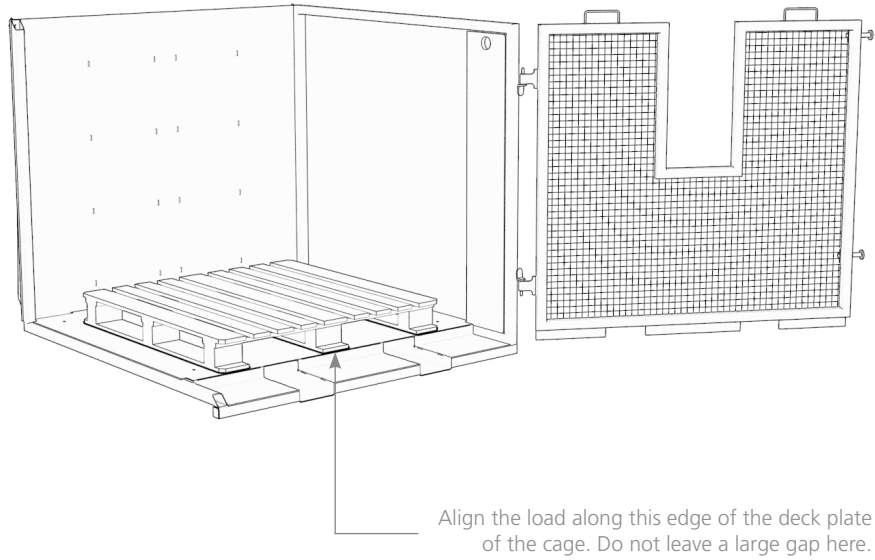
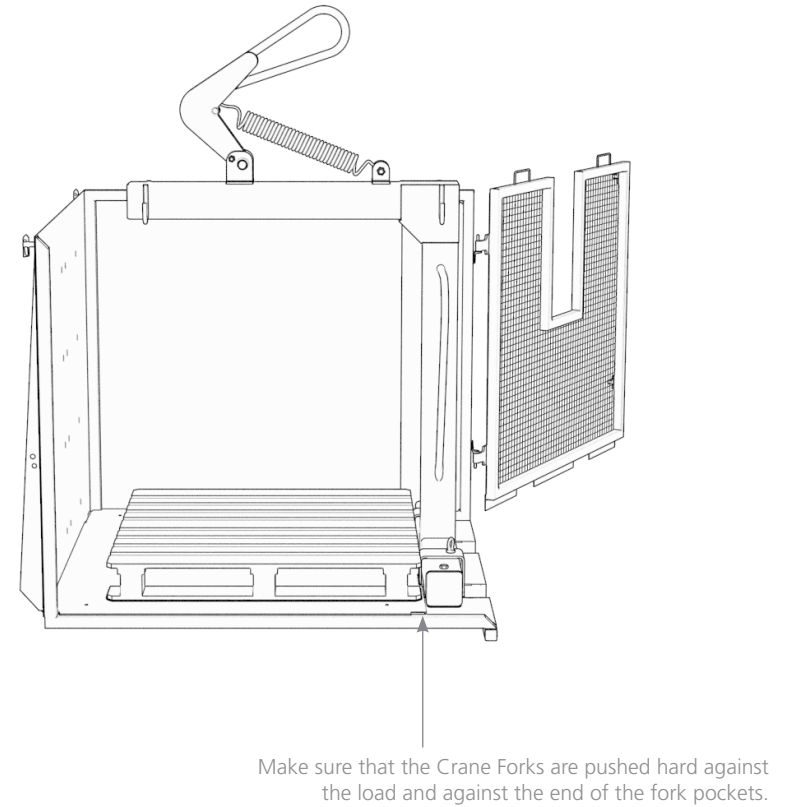


Fig 2

How to position the forks in the cage



Original Working Instructions

Safety Instructions

Basic Safety

A site-specific Risk Assessment, and lift plan where applicable, must be completed by the responsible person before using this equipment to control risks, produce a safe system of work and ensure safety for you, your colleagues and others. Your risk assessment will determine the correct Personal Protective Equipment (PPE) for the task you are doing. You must use it. Conquip recommends that you should wear:

- Suitable clothing
- Gloves
- Hard hat
- Protective footwear (steel toecaps)
- Safety glasses



Important Safety Notes

- Read these instructions before using this equipment. If there is anything you do not understand or if you have any concerns do not use this equipment. Contact your supervisor or Conquip Engineering Group for advice.
- You must check that you have considered all the safety requirements for the task you are doing and that this equipment is suitable.
- You must protect bystanders and the general public by preventing access to the working area.
- Do not use this equipment if you are tired, unwell or under the influence of alcohol or drugs. If you are taking any medicine or undergoing treatment you should inform your supervisor.

Usage & Transportation

- Never unevenly load this equipment.
- The weight of the equipment, together with its attachments, must be added to the weight of the load when calculating the total load that will be imposed on the lifting apparatus / operating machine.
- This equipment must be used in conjunction with the load ratings of the lifting apparatus / operating machine. (Refer to the manufacturers' load ratings and original working instructions).
- Make sure you know how to use this equipment and understand all aspects of its operation in case of emergency.
- This equipment weighs more than 25kg. Do not lift or manhandle without machine assistance.
- Do not operate this equipment near overhead power lines.
- Take care in confined spaces, near ceilings or similar hazards. This equipment was designed for vertical lifting. Do not drag, or swing.
- Before operating this equipment, check that you have enough space for you to work safely and make sure that the working area is clear of hazards, obstructions and personnel.
- Before lowering equipment make sure that the landing zone is clear and capable of accepting the size and weight of the load.
- Crush Risk. Keep hands and feet clear of the equipment at all times to avoid injury.
- Do not exceed the maximum Working Load Limit (WLL) shown on the serial plate. Ensure that the WLL on the individual lift points is not exceeded.
- Before lifting, check that the load is secured, balanced and stable. Allow space for the equipment to move if the load shifts.
- Manoeuvre loaded or raised equipment carefully. Travel and turn slowly to avoid unit becoming unstable.

Personnel

- All personnel must wear relevant personal protective equipment.
- Do not wear loose clothing or jewellery and tie back long hair to avoid becoming tangled or trapped in this equipment. You must make everyone in the work area aware of what you are doing.
- All personnel involved in the lifting operation must be competent to do so and must have been briefed in conjunction with this User Guide available from Conquip Engineering Group, the manufacturer.

Equipment Maintenance & Cleaning

- It is mandatory that the equipment is thoroughly examined regularly, by a qualified engineer, to ensure compliance with relevant regulation/s. (Conquip recommend to carry out thorough examination every six months).
- This product may incorporate various loose and detachable items of lifting gear. Refer to the separate requirements for the safe use of those items.
- When not being used, store the unit in a clean, upright condition and in a safe place where it will be protected from thieves and unauthorised users.
- This equipment must be inspected by the responsible person before each use and then regularly, as determined by your risk assessment or working practice. If you have any concerns about condition or suitability do not use.

Disclaimer

Warranty

The products supplied by Conquip Engineering Group are all guaranteed by a 12 month warranty.

Apart from where exceptions apply, Conquip Engineering Group promises to repair or replace any fault which the Company considers to be due to defective material or workmanship within 12 months of the date of sale, at no additional cost.

- Faults arising from unauthorised alterations (see modifications section below for full details).
- Damage caused by abuse, neglect, misuse or falling.
- Damage caused because of failure to follow transportation, storage, loading, cleaning or operating instructions.
- Replacement or repair of components due to fair wear and tear.
- Any consequential damage or wear arising from the use or fitting of additional or non-standard parts.

Modifications

If any third-party modifications or alterations, involving drilling, welding, cutting or distortion of materials in any form, are to be carried out on the product, Conquip Engineering Group must provide full written approval prior to the work being carried out.

Alterations, modifications, additions or repairs must be carried out by Conquip Engineering Group's recognised distributors, if they are not carrying out the work themselves.

Conquip Engineering Group operate a continuous improvement policy and therefore reserve the right to alter technical specifications and user guide details at any point without notice.

Conquip Engineering Group will not cover or reimburse any transportation and/or shipment costs to and from their premises or their recognised agents, or any material and/or labour costs for repair, replacement or assessment against a warranty claim.

Conquip Engineering Group and/or their directors, employees, insurers or recognised agents will not be held liable for consequential damages, losses or expenses relating to the inability to use the product correctly for its purpose.

EC Declaration of Conformity

In accordance with EN ISO 17050-1:2004

Declaration: As defined by the Machinery Directive 2006/42/EC and subsequent amendments

We, CONQUIP ENGINEERING GROUP, herewith declare that the following indicated equipment meets the fundamental health and safety requirements concerning the EU guide line(s), due to their design and manufacture.

This declaration will be rendered null and void if the machine is changed without our approval.

Signed:



Dated: 2021

Garry Critchley, Managing Director

Product Code(s):

CA147AC-02000

EC Directive/ Regulation:

2006/42/EC,
Lifting Operations and Lifting Equipment Regulations 1998
Provision and Use of Work Equipment Regulations 1998

Harmonised Standards:

BS EN ISO 12100:2010

General Description/ Designation:

Crane Forks Cage – CA147AC-02000

WLL:

CA147AC-02000 = 2000kg

Important Notes

- This User Guide is for this Conquip product only.
- Any movements of the product must be thoroughly planned before the work commences to identify potential hazards and assess risk.
- All personnel involved in lifting and transportation of this product must have read this User Guide and must be properly briefed.
- You must be competent, alert and medically fit when using this equipment. If you have a medical condition, a mental or physical disability, you must seek advice from a medical professional before using this equipment.

Talking to us is easy

We're here to help

Call us on 0845 520 1101

Email us at sales@cqegroup.com

www.cqegroup.com

Conquip Engineering Group

Waterbrook Estate, Alton, Hampshire, GU34 2UD