



The Concept **EXCAVATOR COMPACTION WHEEL**

The compaction wheel has been designed to be used on an excavator for compaction in trenches and on embankments. The key benefit of using a compaction wheel is that the excavators own weight is used to deliver force. This provides up to 5 times better compaction performance when compared to a standard compaction plate or trench roller.

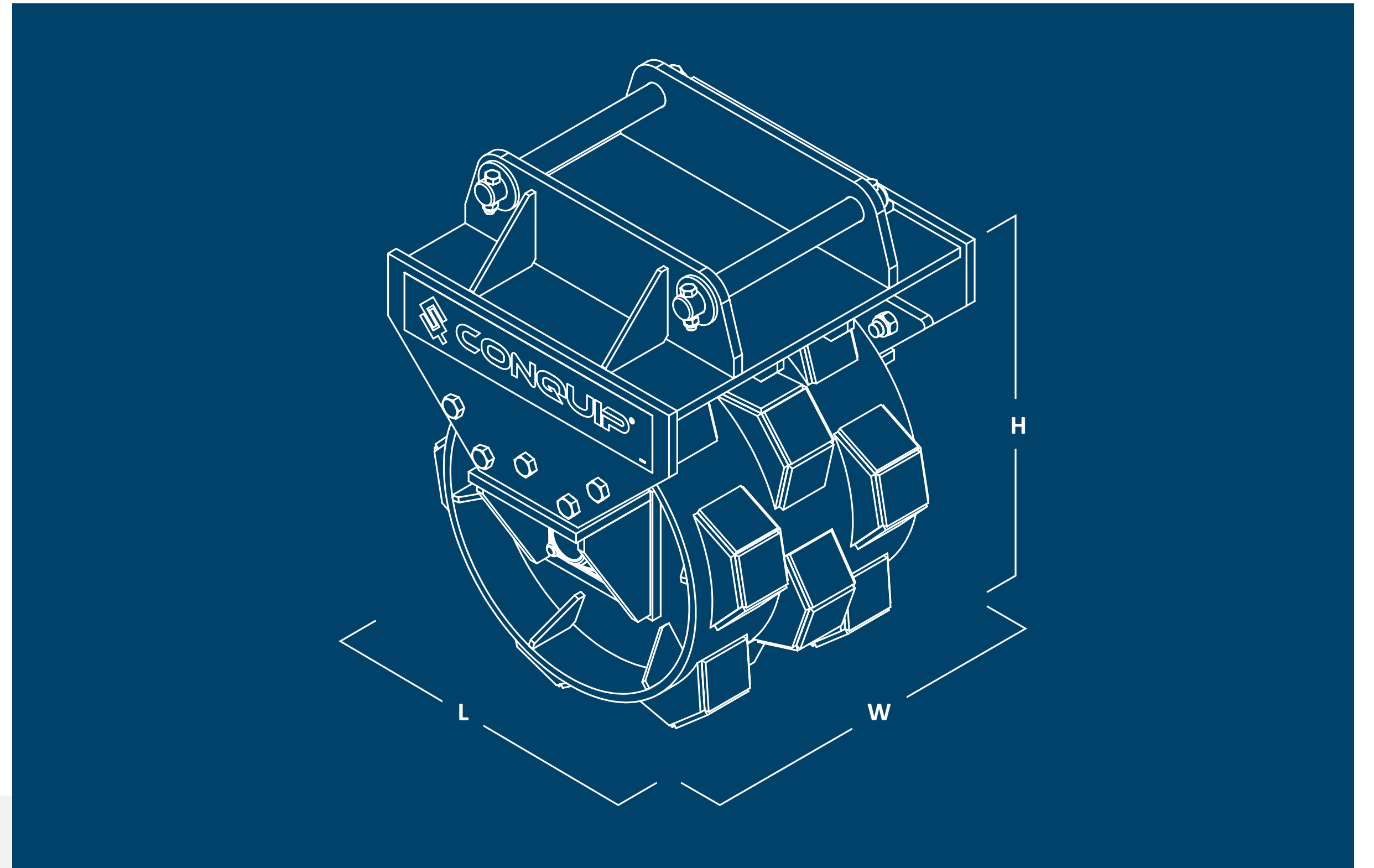


KEY FEATURES

- Strong, compact design.
- No motor or hydraulic connections required.
- Quick and simple to attach.
- Supplied with 65mm or 80mm pins to suit 13-22 tonne excavators.



DIMENSIONS



Length

755mm

Width

770mm

Height

1030mm