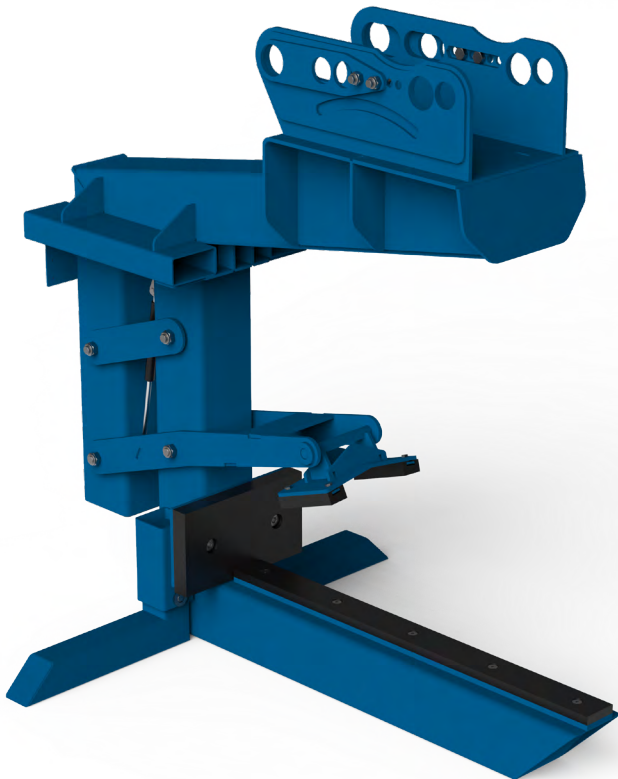


User Guide

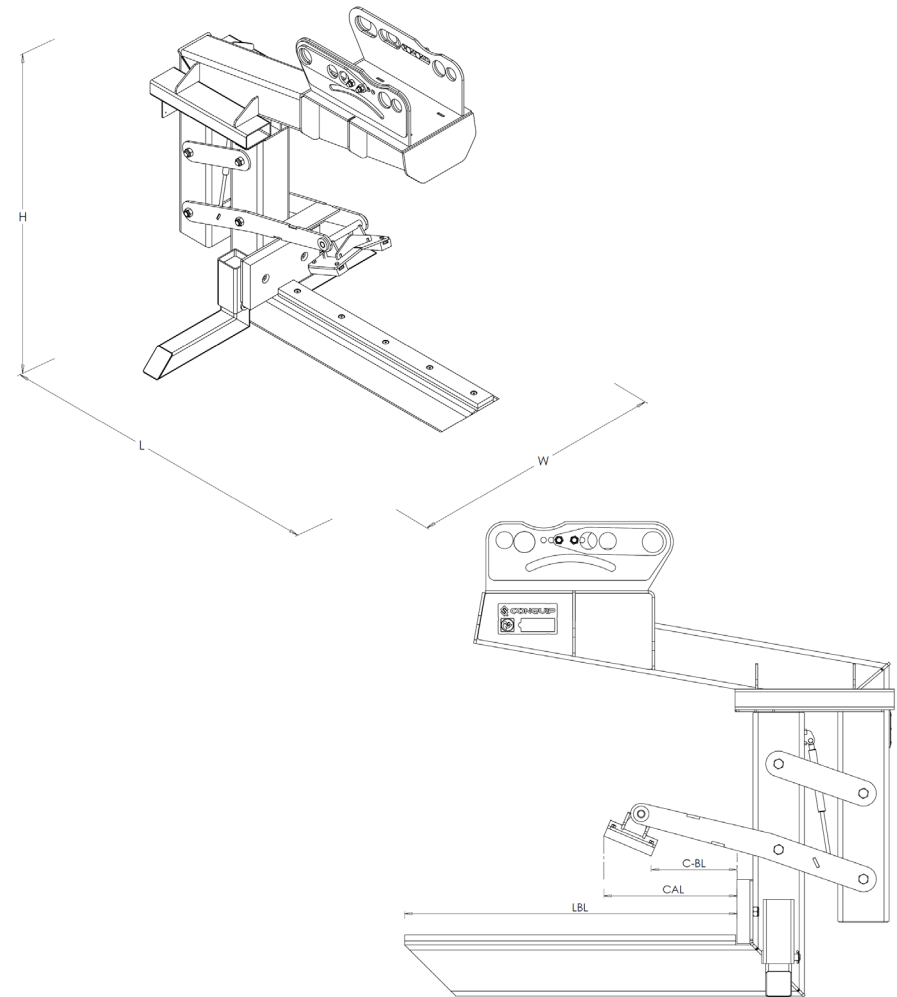
# Excavator Mechanical Pipe Lifter

---



## Product Information Specification

Item	Product Code
Excavator Mechanical Pipe Lifter	EA015-04000



<sup>1</sup>Working Load Limit

Height	Width	Length	Lower Boom Length	Clamping Arm Length	Clamp to Buffer Length	Weight	WLL <sup>1</sup>
1920mm	1420mm	1910mm	1300mm	520mm	335mm	560kg	4000kg

## Product Information Overview

The Conquip Excavator Mechanical Pipe Lifter is an excavator attachment used for fast and safe handling of pipe sections. This device can be used for unloading delivery vehicles, transporting around site and placement. The mechanically operated clamp with a grip ensures that the pipe is held securely while in transport. The pipe lifter avoids the need for ground workers to be in the trench during pipe installation and replaces traditional slinging methods for unloading trucks.

### Key Benefits

- Integrated fork pockets for easy transportation short distances around site.
- Adjustable pin centres to suit any quick hitch.
- Options of 65 or 80mm pins to suit 13-22T excavators.
- Integrated rubber production buffers to prevent damage to pipe sections.
- Long clamping arm to prevent damage to pipe sections.
- Large lifting capacity of 4000kg working load limit.
- Removable in-built stand so it can sit upright in position for the quick hitch to connect.

## Original Working Instructions

# Usage Instructions

---

### Important Usage Notes

- Ensure the work area is firm and level and clear of all obstructions with adequate room around the unit for the operator to work safely.
- Be careful not to apply too much force when pushing pipe sections together to avoid breakage of pipes.
- Check that the quick hitch is securely attached to the excavator arm following the manufacturers' instructions and giving special attention to any safety features.
- Only lift one pipe section at a time.
- There are a number of Crush Points on the pipe lifter. Before using, please be aware of where these are and keep hands and feet clear of these areas at all times when in use.

### Set Up

1. Select the correct size pins for your machine's quick hitch.
2. Fit the front pin to the correct sized hole on the attachment, while the attachment is standing upright on its in-built stand.
3. Adjust position of the rear pin to suit the quick hitch - follow the quick hitch operating guidelines and set the pins to the maximum centres for the unit.
4. Ensure the quick hitch pins have the retaining bolts correctly fitted.
5. Check for debris in the quick hitch locking mechanism and check the fit of the unit on the quick hitch. Do not use if not secure.
6. When moving pipes, operators should be aware that the pipes may roll and should have a method prepared for securing the pipes.

## Original Working Instructions

# Usage Instructions

---

### To Lift a Pipe

1. When it is safe to proceed, raise the pipe lifter until the tip is just below the crown of the pipe section, then insert the lower boom into the bore of the pipe until it is fully inserted and the rubber buffer at the back of the lifter is touching the pipe.
2. Raise the pipe lifter carefully and level, so that the boom comes in contact with the inside of the pipe.
3. Continue to slowly raise the pipe lifter, the action of the weight of the pipe on the boom will trigger the clamping arm to lower onto the pipe.
4. When the load is fully raised from the ground, or delivery vehicle, and clamped and stable, it is safe to proceed and transport the pipe section to its destination.
5. When travelling with a load, keep it in the lowest practicable position, to maintain driver visibility. Operators should allow for any rough or sloping ground when assessing the method of operating.
6. Carefully lower the pipe onto the ground or storage location, taking care of edges or other items on hard ground.
7. If laying pipes into a trench, the pipe lifter can be tilted to allow the pipe to be lowered and placed accurately.
8. Once lowered to the ground, as the weight of the pipe transfers from the boom to the ground, the clamp will release, allowing the boom of the pipe lifter to be extracted from the pipe.
9. If laying pipework, the rubber buffers can be used to push the pipe sections together.

# Original Working Instructions

## Safety Instructions

### Basic Safety

A site-specific Risk Assessment, and lift plan where applicable, must be completed by the responsible person before using this equipment to control risks, produce a safe system of work and ensure safety for you, your colleagues and others. Your risk assessment will determine the correct Personal Protective Equipment (PPE) for the task you are doing. You must use it. Conquip recommends that you should wear:

- Suitable clothing
- Gloves
- Hard hat
- Protective footwear (steel toecaps)
- Safety glasses



### Important Safety Notes

- Read these instructions before using this equipment. If there is anything you do not understand or if you have any concerns do not use this equipment. Contact your supervisor or Conquip Engineering Group for advice.
- You must check that you have considered all the safety requirements for the task you are doing and that this equipment is suitable.
- You must protect bystanders and the general public by preventing access to the working area.
- Do not use this equipment if you are tired, unwell or under the influence of alcohol or drugs. If you are taking any medicine or undergoing treatment you should inform your supervisor.

### Usage & Transportation

- Never unevenly load this equipment.
- The weight of the equipment, together with its attachments, must be added to the weight of the load when calculating the total load that will be imposed on the lifting apparatus / operating machine.
- This equipment must be used in conjunction with the load ratings of the lifting apparatus / operating machine. (Refer to the manufacturers' load ratings and original working instructions).
- Make sure you know how to use this equipment and understand all aspects of its operation in case of emergency.
- This equipment weighs more than 25kg. Do not lift or manhandle without machine assistance.
- Do not operate this equipment near overhead power lines.
- Take care in confined spaces, near ceilings or similar hazards. This equipment was designed for vertical lifting. Do not drag, or swing.
- Before operating this equipment, check that you have enough space for you to work safely and make sure that the working area is clear of hazards, obstructions and personnel.
- Before lowering equipment make sure that the landing zone is clear and capable of accepting the size and weight of the load.
- Crush Risk. Keep hands and feet clear of the equipment at all times to avoid injury.
- Do not exceed the maximum Working Load Limit (WLL) shown on the serial plate. Ensure that the WLL on the individual lift points is not exceeded.
- Before lifting, check that the load is secured, balanced and stable. Allow space for the equipment to move if the load shifts.
- Manoeuvre loaded or raised equipment carefully. Travel and turn slowly to avoid unit becoming unstable.

### Personnel

- All personnel must wear relevant personal protective equipment.
- Do not wear loose clothing or jewellery and tie back long hair to avoid becoming tangled or trapped in this equipment. You must make everyone in the work area aware of what you are doing.
- All personnel involved in the lifting operation must be competent to do so and must have been briefed in conjunction with this User Guide available from Conquip Engineering Group, the manufacturer.

### Equipment Maintenance & Cleaning

- It is mandatory that the equipment is thoroughly examined regularly, by a qualified engineer, to ensure compliance with relevant regulation/s. (Conquip recommend to carry out thorough examination every six months).
- This product may incorporate various loose and detachable items of lifting gear. Refer to the separate requirements for the safe use of those items.
- When not being used, store the unit in a clean, upright condition and in a safe place where it will be protected from thieves and unauthorised users.
- This equipment must be inspected by the responsible person before each use and then regularly, as determined by your risk assessment or working practice. If you have any concerns about condition or suitability do not use.

# Disclaimer

## Warranty

The products supplied by Conquip Engineering Group are all guaranteed by a 12 month warranty.

Apart from where exceptions apply, Conquip Engineering Group promises to repair or replace any fault which the Company considers to be due to defective material or workmanship within 12 months of the date of sale, at no additional cost.

- Faults arising from unauthorised alterations (see modifications section below for full details).
- Damage caused by abuse, neglect, misuse or falling.
- Damage caused because of failure to follow transportation, storage, loading, cleaning or operating instructions.
- Replacement or repair of components due to fair wear and tear.
- Any consequential damage or wear arising from the use or fitting of additional or non-standard parts.

## Modifications

If any third-party modifications or alterations, involving drilling, welding, cutting or distortion of materials in any form, are to be carried out on the product, Conquip Engineering Group must provide full written approval prior to the work being carried out.

Alterations, modifications, additions or repairs must be carried out by Conquip Engineering Group's recognised distributors, if they are not carrying out the work themselves.

Conquip Engineering Group operate a continuous improvement policy and therefore reserve the right to alter technical specifications and user guide details at any point without notice.

Conquip Engineering Group will not cover or reimburse any transportation and/or shipment costs to and from their premises or their recognised agents, or any material and/or labour costs for repair, replacement or assessment against a warranty claim.

Conquip Engineering Group and/or their directors, employees, insurers or recognised agents will not be held liable for consequential damages, losses or expenses relating to the inability to use the product correctly for its purpose.

# EC Declaration of Conformity

## In accordance with EN ISO 17050-1:2004

Declaration: As defined by the Machinery Directive 2006/42/EC and subsequent amendments

We, CONQUIP ENGINEERING GROUP, herewith declare that the following indicated equipment meets the fundamental health and safety requirements concerning the EU guide line(s), due to their design and manufacture.

This declaration will be rendered null and void if the machine is changed without our approval.

Signed:



Dated: 2018

Garry Critchley, Managing Director

**Product Code(s):**

EA015-04000

**EC Directive/ Regulation:**

2006/42/EC,  
Lifting Operations and Lifting Equipment Regulations 1998  
Provision and Use of Work Equipment Regulations 1998

**Harmonised Standards:**

BS EN ISO 12100:2010

**General Description/ Designation:**

Excavator Mechanical Pipe Lifter – EA015-04000

**WLL:**

EA015-04000 = 4000kg

## Important Notes

- This User Guide is for this Conquip product only.
- Any movements of the product must be thoroughly planned before the work commences to identify potential hazards and assess risk.
- All personnel involved in lifting and transportation of this product must have read this User Guide and must be properly briefed.
- You must be competent, alert and medically fit when using this equipment. If you have a medical condition, a mental or physical disability, you must seek advice from a medical professional before using this equipment.

Talking to us is easy

**We're here to help**

Call us on 0845 520 1101

Email us at [sales@cqegroup.com](mailto:sales@cqegroup.com)

[www.cqegroup.com](http://www.cqegroup.com)

**Conquip Engineering Group**

Waterbrook Estate, Alton, Hampshire, GU34 2UD

Copyright © 2018 Conquip Engineering Group. All Rights Reserved.  
Excavator Mechanical Pipe Lifter User Guide - Issue 1