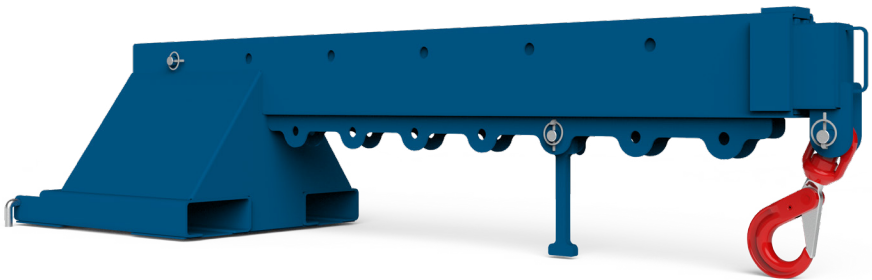


User Guide

Forklift Crane Arm



Product Information

Overview

The Conquip Forklift Crane Arm is a fork mounted extending jib specifically designed to convert a forklift truck into a long reach mobile crane. It allows considerable flexibility to reach and transport particularly long and awkward loads.

The Forklift Crane Arm is available as a fixed or adjustable angle arm, the adjustable being specifically useful for managing larger loads.

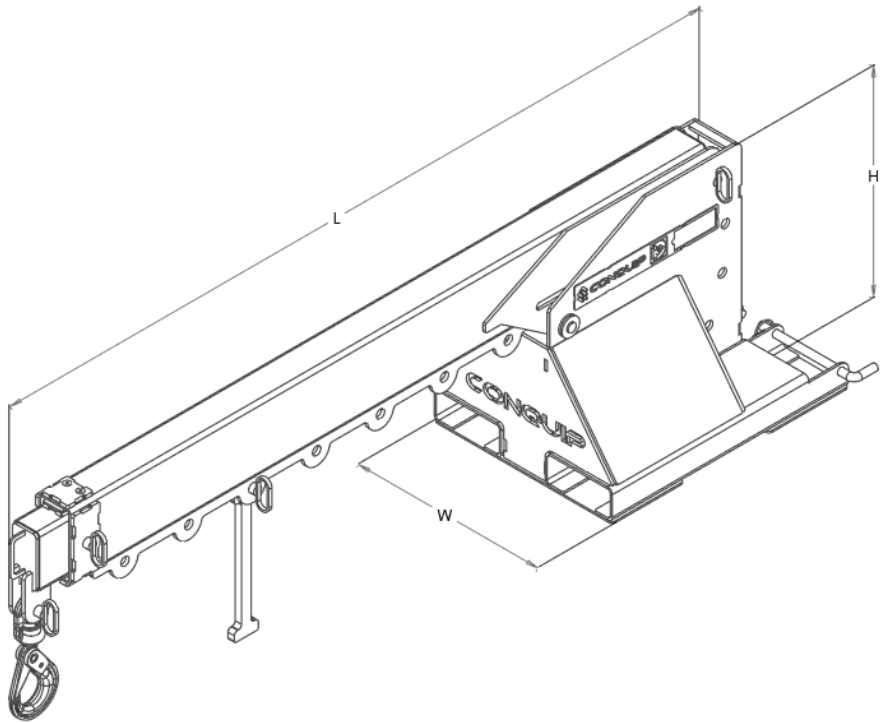
Key Benefits

- Reduces the need of a crane on site to transport loads that are too long and awkward for a forklift.
- Adjustable angle crane arms can be angled to manage awkward loads.

Product Information

Specification

Item	Product Code
Forklift Crane Arm Fixed	FA811AC-03000
Forklift Crane Arm Adjustable	FA807AA-05000



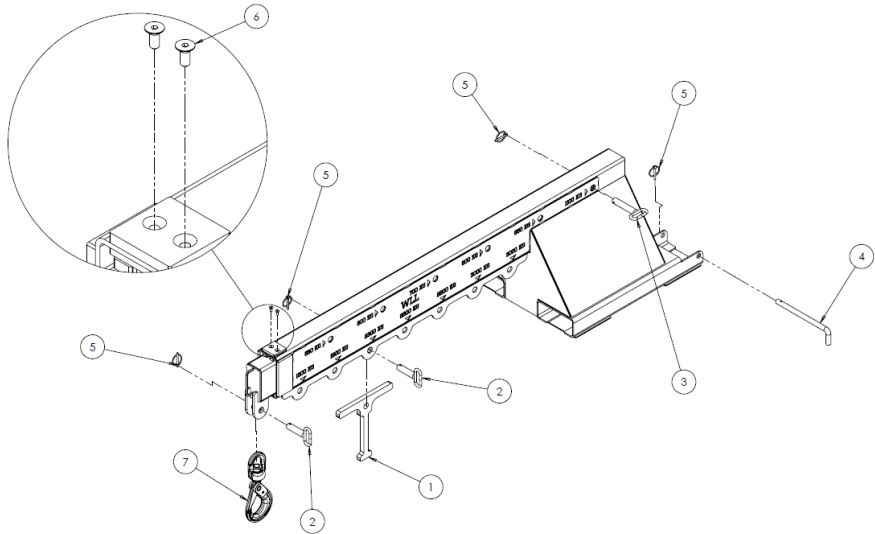
¹Working Load Limit

Product Code	Height	Width	Closed Length	Extended Length	Weight	WLL ¹	Fork Pocket
FA811AC-03000	500mm	685mm	2350mm	3850mm	180kg	3000kg	198 x 78mm
FA807AA-05000	666mm	661mm	2347mm	3847mm	260kg	5000kg	198 x 78mm

Product Information

Parts Diagram

Forklift Crane Arm Fixed



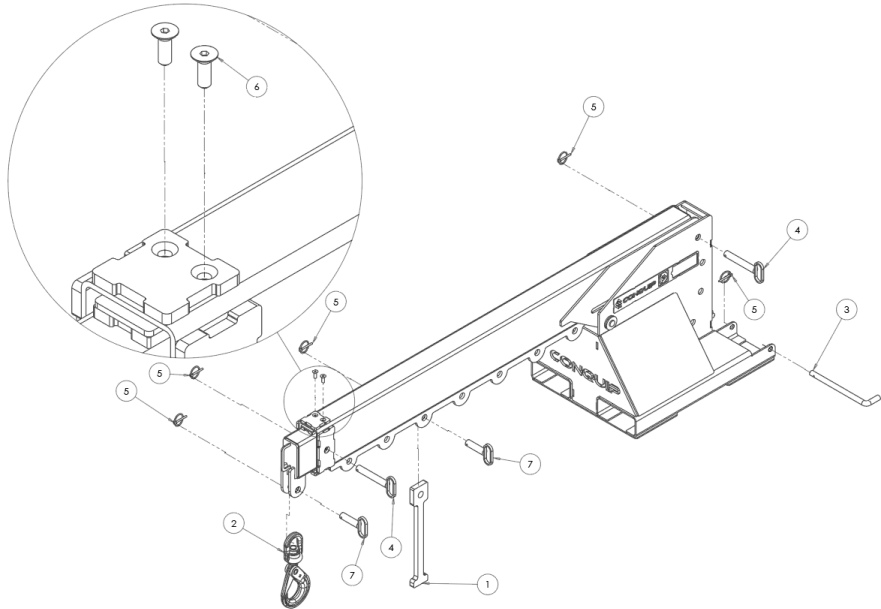
NOTE: These parts are for this model, they may differ for previous versions. Please contact Conquip with any queries.

Item Number	Part Number	Description	Quantity
1	ZZ410025	Support Leg 260mm	1
2	ZZ410023	Hook Load Pin 25 x 90mm	2
3	ZZ410028	Quick Release Pin 25 x 120mm	1
4	ZZ410015	Heel Pin 20mm	2
5	ZZ990009	Linch Pin 6mm	5
6	NS800859	M8 x 20 Countersunk Screw	2
7	H0700-00013	Swivel Self Locking Hook 5000kg	1

Product Information

Parts Diagram

Forklift Crane Arm Adjustable



NOTE: These parts are for this model, they may differ for previous versions. Please contact Conquip with any queries.

Item Number	Part Number	Description	Quantity
1	ZZ410001	Support Leg 440mm	1
2	H0700-00013	Swivel Self Locking Hook 500kg	1
3	ZZ410015	Heel Pin 20mm	2
4	ZZ410018	Angle Location Pin 25 x 155mm	2
5	ZZ990009	Linch Pin 6mm	6
6	NS800838	M10 x 30 Countersunk Screw	2
7	Z410023	Hook Load Pin 25 x 90mm	2

Original Working Instructions

Usage Instructions

Important Usage Notes

- If you have any concerns or questions do not use the equipment; contact your supervisor or Conquip Engineering Group.
- The reach and angle of the jib can be adjusted to suit the operator's requirement. Always refer to the loading chart of the operating machine. Where the weight of the load cannot be accurately established the notional weight must be multiplied by an appropriate factor (typically 1.5) to allow for possible inaccuracies.
- This equipment is designed to lift the load clear of the ground, do not drag the load.
- The Forklift Crane Arm is supplied with two heel pins, one for each fork pocket. These must both be fitted correctly before use. If one or more are damaged, incomplete or missing do not use the equipment, do not use alternatives and contact Conquip for a replacement.
- Suitably certified lifting equipment is to be used.
- Under no circumstances should the crane arm be transported when the forks are pointed towards the ground. Always lift with the forks tilted slightly upwards.

Original Working Instructions

Usage Instructions

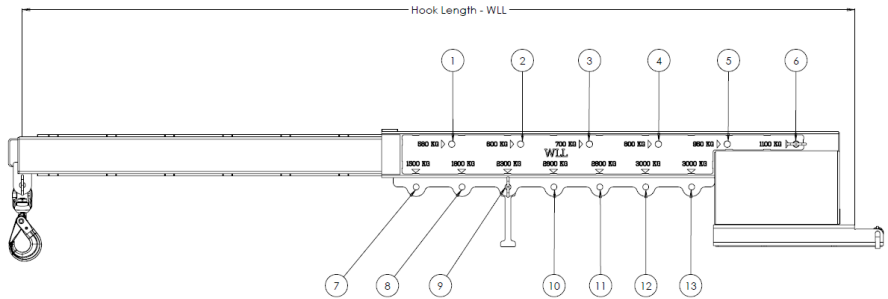
Using with a Forklift

1. Before using, familiarise yourself with the equipment and check that the crane arm is in good condition with all parts present and correct.
2. To attach the Forklift Crane Arm to a forklift, first release the heel pin by removing the linch pin and pulling from the attachment. Set the machine's forks to the correct width for the Forklift Crane Arm fork pockets. Make sure that they are equidistant from the centre.
3. Drive the forklift to the Forklift Crane Arm aligning the forks with the Forklift Crane Arm fork pockets.
4. Double check that all is correctly aligned, then move the forklift forward until the forks are fully inserted into the fork pockets.
5. Apply the park brake and switch off the forklift engine.
6. Insert the heel pin ensuring it passes behind the heel of the fork, use the linch pin to lock the heel pin in place. The Forklift Crane Arm is now ready for use.
7. The hook can be moved to any of the locating positions and, if necessary, the support leg can be moved or removed to facilitate the hook position. Only remove support leg when it is fitted to the forklift.
8. Raise and position the hook over the load ensuring that it is centrally aligned before lowering.
9. Lower the hook and attach to the load ensuring that the hook latch closes fully.
10. Carefully raise the load just off the ground and check for balance and security. Do not allow hands or feet to come between or below the load.
11. If the load is balanced and secure, carefully transport the load to its required destination ensuring not to jolt the load. Lift with the forks tilted slightly back. When travelling with a suspended load, keep the load as low as practicable, keep speed and cornering to a minimum to avoid the load swinging.
12. When in position, the load can be lowered to the ground and the lifting hook can be released and lifted clear of the load.
13. With the crane arm free of any load, lower it to the ground.
14. Disconnect the heel pins and linch pins.
15. Reverse the forklift back and clear, then replace the heel pins and linch pins.

Product Information

Loading Charts

Forklift Crane Arm Fixed



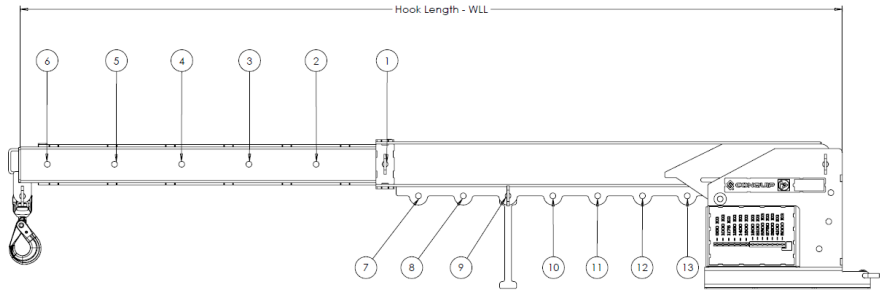
¹Working Load Limit

Drawing Reference	Length	WLL ¹
1	3650mm	580kg
2	3350mm	600kg
3	3050mm	700kg
4	2750mm	800kg
5	2450mm	950kg
6	2150mm	1100kg
7	1900mm	1500kg
8	1700mm	1900kg
9	1500mm	2300kg
10	1300mm	2600kg
11	1100mm	2800kg
12	900mm	3000kg
13	700mm	3000kg

Product Information

Loading Charts

Forklift Crane Arm Adjustable



¹Working Load Limit

Drawing Reference	Length	WLL ¹
1	3675mm	950kg
2	3375mm	1000kg
3	3075mm	1175kg
4	2775mm	1250kg
5	2475mm	1400kg
6	2175mm	1600kg
7	1875mm	1800kg
8	1675mm	2100kg
9	1475mm	2300kg
10	1275mm	2750kg
11	1075mm	3200kg
12	875mm	4100kg
13	675mm	5000kg

Original Working Instructions

Safety Instructions

Basic Safety

A site-specific Risk Assessment, and lift plan where applicable, must be completed by the responsible person before using this equipment to control risks, produce a safe system of work and ensure safety for you, your colleagues and others. Your risk assessment will determine the correct Personal Protective Equipment (PPE) for the task you are doing. You must use it. Conquip recommends that you should wear:

- Suitable clothing
- Gloves
- Hard hat
- Protective footwear (steel toecaps)
- Safety glasses



Important Safety Notes

- Read these instructions before using this equipment. If there is anything you do not understand or if you have any concerns do not use this equipment. Contact your supervisor or Conquip Engineering Group for advice.
- You must check that you have considered all the safety requirements for the task you are doing and that this equipment is suitable.
- You must protect bystanders and the general public by preventing access to the working area.
- Do not use this equipment if you are tired, unwell or under the influence of alcohol or drugs. If you are taking any medicine or undergoing treatment you should inform your supervisor.

Usage & Transportation

- Never unevenly load this equipment.
- The weight of the equipment, together with its attachments, must be added to the weight of the load when calculating the total load that will be imposed on the lifting apparatus / operating machine.
- This equipment must be used in conjunction with the load ratings of the lifting apparatus / operating machine. (Refer to the manufacturers' load ratings and original working instructions).
- Make sure you know how to use this equipment and understand all aspects of its operation in case of emergency.
- This equipment weighs more than 25kg. Do not lift or manhandle without machine assistance.
- Do not operate this equipment near overhead power lines.
- Take care in confined spaces, near ceilings or similar hazards. This equipment was designed for vertical lifting. Do not drag, or swing.
- Before operating this equipment, check that you have enough space for you to work safely and make sure that the working area is clear of hazards, obstructions and personnel.
- Before lowering equipment make sure that the landing zone is clear and capable of accepting the size and weight of the load.
- Crush Risk. Keep hands and feet clear of the equipment at all times to avoid injury.
- Do not exceed the maximum Working Load Limit (WLL) shown on the serial plate. Ensure that the WLL on the individual lift points is not exceeded.
- Before lifting, check that the load is secured, balanced and stable. Allow space for the equipment to move if the load shifts.
- Manoeuvre loaded or raised equipment carefully. Travel and turn slowly to avoid unit becoming unstable.

Personnel

- All personnel must wear relevant personal protective equipment.
- Do not wear loose clothing or jewellery and tie back long hair to avoid becoming tangled or trapped in this equipment. You must make everyone in the work area aware of what you are doing.
- All personnel involved in the lifting operation must be competent to do so and must have been briefed in conjunction with this User Guide available from Conquip Engineering Group, the manufacturer.

Equipment Maintenance & Cleaning

- It is mandatory that the equipment is thoroughly examined regularly, by a qualified engineer, to ensure compliance with relevant regulation/s. (Conquip recommend to carry out thorough examination every six months).
- This product may incorporate various loose and detachable items of lifting gear. Refer to the separate requirements for the safe use of those items.
- When not being used, store the unit in a clean, upright condition and in a safe place where it will be protected from thieves and unauthorised users.
- This equipment must be inspected by the responsible person before each use and then regularly, as determined by your risk assessment or working practice. If you have any concerns about condition or suitability do not use.

Disclaimer

Warranty

The products supplied by Conquip Engineering Group are all guaranteed by a 12 month warranty.

Apart from where exceptions apply, Conquip Engineering Group promises to repair or replace any fault which the Company considers to be due to defective material or workmanship within 12 months of the date of sale, at no additional cost.

- Faults arising from unauthorised alterations (see modifications section below for full details).
- Damage caused by abuse, neglect, misuse or falling.
- Damage caused because of failure to follow transportation, storage, loading, cleaning or operating instructions.
- Replacement or repair of components due to fair wear and tear.
- Any consequential damage or wear arising from the use or fitting of additional or non-standard parts.

Modifications

If any third-party modifications or alterations, involving drilling, welding, cutting or distortion of materials in any form, are to be carried out on the product, Conquip Engineering Group must provide full written approval prior to the work being carried out.

Alterations, modifications, additions or repairs must be carried out by Conquip Engineering Group's recognised distributors, if they are not carrying out the work themselves.

Conquip Engineering Group operate a continuous improvement policy and therefore reserve the right to alter technical specifications and user guide details at any point without notice.

Conquip Engineering Group will not cover or reimburse any transportation and/or shipment costs to and from their premises or their recognised agents, or any material and/or labour costs for repair, replacement or assessment against a warranty claim.

Conquip Engineering Group and/or their directors, employees, insurers or recognised agents will not be held liable for consequential damages, losses or expenses relating to the inability to use the product correctly for its purpose.

EC Declaration of Conformity

In accordance with EN ISO 17050-1:2004

Declaration: As defined by the Machinery Directive 2006/42/EC and subsequent amendments

We, CONQUIP ENGINEERING GROUP, herewith declare that the following indicated equipment meets the fundamental health and safety requirements concerning the EU guide line(s), due to their design and manufacture.

This declaration will be rendered null and void if the machine is changed without our approval.

Signed: 

Dated: 2018

Garry Critchley, Managing Director

Product Code(s):	FA811AC-03000 / FA807AA-05000
EC Directive/ Regulation:	2006/42/EC, Lifting Operations and Lifting Equipment Regulations 1998 Provision and Use of Work Equipment Regulations 1998
Harmonised Standards:	BS EN ISO 12100:2010 BS EN 13155
General Description/ Designation:	Forklift Crane Arm – FA811AC-03000 / FA807AA-05000
WLL:	FA811AC-03000 = 3000kg FA807AA-05000 = 5000kg

Important Notes

- This User Guide is for this Conquip product only.
- Any movements of the product must be thoroughly planned before the work commences to identify potential hazards and assess risk.
- All personnel involved in lifting and transportation of this product must have read this User Guide and must be properly briefed.
- You must be competent, alert and medically fit when using this equipment. If you have a medical condition, a mental or physical disability, you must seek advice from a medical professional before using this equipment.

Talking to us is easy

We're here to help

Call us on 0800 116 076

Email us at sales@conquipgroup.co.nz

www.conquipgroup.co.nz