

User Guide

Gas Bottle Lifting Cage



Product Information

Overview

The Conquip Gas Bottle Lifting Cage is designed as a safe method of transporting gas bottles on site. It is tested, approved and fully certified, constructed to the highest standard and complete with securing chains for extra stability.

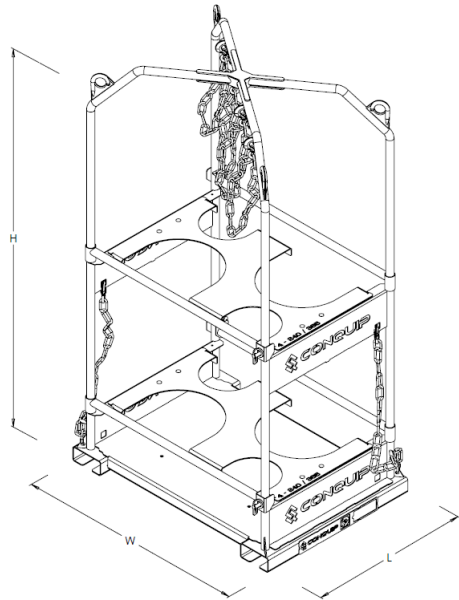
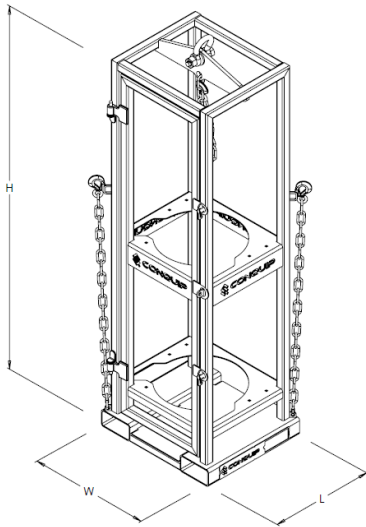
Key Benefits

- Complete with crane lifting points and fork pockets for easy manoeuvrability.
- Available in a variety of sizes and specifications to suit different quantities and types of gas bottles.
- Manufactured in the UK from quality British and EU steel.

Product Information

Specification

Item	Product Code
Single Gas Bottle Lifting Cage (Oxygen)	CA107AD-01010
Single Gas Bottle Lifting Cage (Propane)	CA107AD-01100
4 Gas Bottle Lifting Cage (2 Oxygen + 2 Propane)	CA107AF-04020
6 Gas Bottle Lifting Cage (Oxygen)	CA107AF-06010



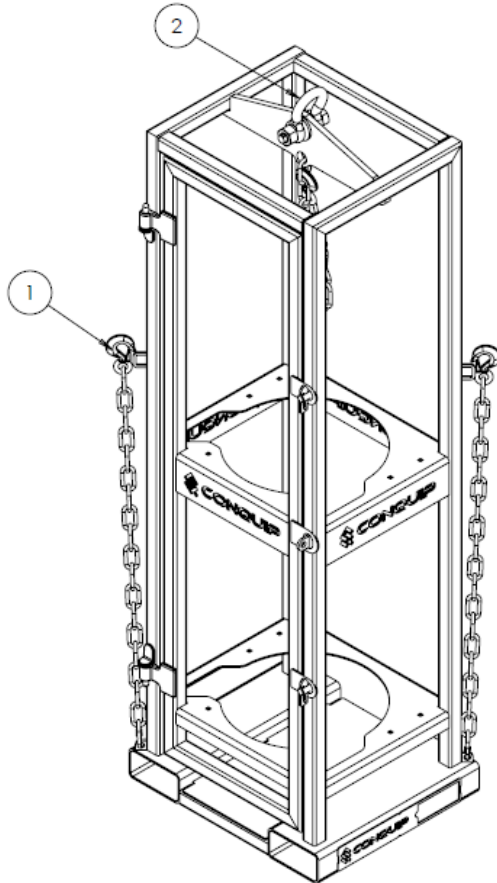
¹Working Load Limit

Product Code	Height	Width	Length	Weight	WLL ¹	Fork Pocket
CA107AD-01010	1900mm	600mm	515mm	95kg	120kg	150 x 70mm
CA107AD-01100	1900mm	600mm	515mm	95kg	120kg	150 x 70mm
CA107AF-04020	2000mm	1120mm	850mm	130kg	600kg	150 x 70mm
CA107AF-06010	2000mm	1120mm	850mm	130kg	600kg	150 x 70mm

Product Information

Parts Diagram

Single Gas Bottle Lifting Cage



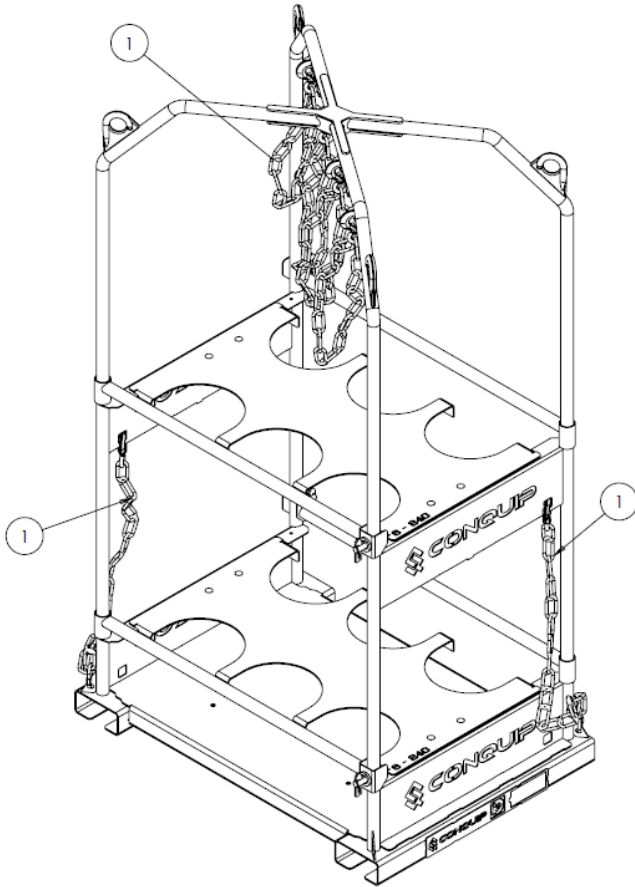
NOTE: These parts are for this model, they may differ for previous versions. Please contact Conquip with any queries.

Item Number	Part Number	Description	Quantity
1	ZZ110008	8mm Restraint Chain	3
2	SH101-06500	Safety Bow Shackle	1

Product Information

Parts Diagram

4 & 6 Gas Bottle Lifting Gas Cage



NOTE: These parts are for this model, they may differ for previous versions. Please contact Conquip with any queries.

Item Number	Part Number	Description	Quantity
1	ZZ110008	8mm Restraint Chain	6

Original Working Instructions

Usage Instructions

Important Usage Notes

- Do not load any cylinder that is leaking, has its valve open or shows signs of damage.
- Do not load with cylinders that are taller than the frame or shorter than the central bar on the restraint door.
- The Gas Bottle Lifting Cage is for lifting and transporting gas bottles only. Only use for the intended size gas bottles. Do not use to raise or transport personnel.

Loading the Cage

1. Before loading the Gas Bottle Lifting Cage, ensure it is positioned on firm level ground.
2. Open the restraint door/s and proceed to load in a uniform manner ensuring the weight is evenly distributed.
3. Attach the safety chain to each bottle, using the restraint chains, by looping the chain through the handles on the bottles and re-attach the central hooks.
4. Close restraint door and secure.

Using with a Forklift

1. To lift the Gas Bottle Lifting Cage with a forklift, set the machine's forks to the correct width for the Gas Bottle Lifting Cage's fork pockets. Make sure that they are equidistant from the centre.
2. Drive the forklift to the Gas Bottle Lifting Cage aligning the forks with the Gas Bottle Lifting Cage fork pockets.
3. Double check that all is correctly aligned, then move the forklift forward until the forks are fully inserted into the fork pockets.
4. Loop the safety restraint chain around the forklift carriage, ensuring that it does not foul any of the forklift's moving parts. The Gas Bottle Lifting Cage is now ready for use.
5. Carefully raise the cage just off the ground and check for balance and security.

6. Carefully transport the cage to its required destination, taking care not to jolt the load.
7. When in position, the cage can be lowered onto firm, level ground.
8. Remove the safety restraint chain.
9. Reverse the forklift back and clear of the cage.
10. Unload the gas bottles from the cage, by releasing the restraint door and removing all the gas bottles from the cage.
11. Secure the restraint door/s.

Lifting with a Crane

1. Attach a suitable chain sling to the Gas Bottle Lifting Cage's lifting points.
2. Carefully raise the cage just off the ground and check for balance and security.
3. Carefully transport the cage to its required destination, taking care not to jolt the load.
4. When in position, the cage can be lowered on to firm, level ground.
5. Unload the gas bottles from the cage, by releasing the restraint door/s and removing all the gas bottles from the cage.
6. Secure restraint door/s.
7. When you have finished with the lifting cage, detach it from the lifting equipment.

Original Working Instructions

Safety Instructions

Basic Safety

A site-specific Risk Assessment, and lift plan where applicable, must be completed by the responsible person before using this equipment to control risks, produce a safe system of work and ensure safety for you, your colleagues and others. Your risk assessment will determine the correct Personal Protective Equipment (PPE) for the task you are doing. You must use it. Conquip recommends that you should wear:

- Suitable clothing
- Gloves
- Hard hat
- Protective footwear (steel toecaps)
- Safety glasses



Important Safety Notes

- Read these instructions before using this equipment. If there is anything you do not understand or if you have any concerns do not use this equipment. Contact your supervisor or Conquip Engineering Group for advice.
- You must check that you have considered all the safety requirements for the task you are doing and that this equipment is suitable.
- You must protect bystanders and the general public by preventing access to the working area.
- Do not use this equipment if you are tired, unwell or under the influence of alcohol or drugs. If you are taking any medicine or undergoing treatment you should inform your supervisor.

Usage & Transportation

- Never unevenly load this equipment.
- The weight of the equipment, together with its attachments, must be added to the weight of the load when calculating the total load that will be imposed on the lifting apparatus / operating machine.
- This equipment must be used in conjunction with the load ratings of the lifting apparatus / operating machine. (Refer to the manufacturers' load ratings and original working instructions).
- Make sure you know how to use this equipment and understand all aspects of its operation in case of emergency.
- This equipment weighs more than 25kg. Do not lift or manhandle without machine assistance.
- Do not operate this equipment near overhead power lines.
- Take care in confined spaces, near ceilings or similar hazards. This equipment was designed for vertical lifting. Do not drag, or swing.
- Before operating this equipment, check that you have enough space for you to work safely and make sure that the working area is clear of hazards, obstructions and personnel.
- Before lowering equipment make sure that the landing zone is clear and capable of accepting the size and weight of the load.
- Crush Risk. Keep hands and feet clear of the equipment at all times to avoid injury.
- Do not exceed the maximum Working Load Limit (WLL) shown on the serial plate. Ensure that the WLL on the individual lift points is not exceeded.
- Before lifting, check that the load is secured, balanced and stable. Allow space for the equipment to move if the load shifts.
- Manoeuvre loaded or raised equipment carefully. Travel and turn slowly to avoid unit becoming unstable.

Personnel

- All personnel must wear relevant personal protective equipment.
- Do not wear loose clothing or jewellery and tie back long hair to avoid becoming tangled or trapped in this equipment. You must make everyone in the work area aware of what you are doing.
- All personnel involved in the lifting operation must be competent to do so and must have been briefed in conjunction with this User Guide available from Conquip Engineering Group, the manufacturer.

Equipment Maintenance & Cleaning

- It is mandatory that the equipment is thoroughly examined regularly, by a qualified engineer, to ensure compliance with relevant regulation/s. (Conquip recommend to carry out thorough examination every six months).
- This product may incorporate various loose and detachable items of lifting gear. Refer to the separate requirements for the safe use of those items.
- When not being used, store the unit in a clean, upright condition and in a safe place where it will be protected from thieves and unauthorised users.
- This equipment must be inspected by the responsible person before each use and then regularly, as determined by your risk assessment or working practice. If you have any concerns about condition or suitability do not use.

Disclaimer

Warranty

The products supplied by Conquip Engineering Group are all guaranteed by a 12 month warranty.

Apart from where exceptions apply, Conquip Engineering Group promises to repair or replace any fault which the Company considers to be due to defective material or workmanship within 12 months of the date of sale, at no additional cost.

- Faults arising from unauthorised alterations (see modifications section below for full details).
- Damage caused by abuse, neglect, misuse or falling.
- Damage caused because of failure to follow transportation, storage, loading, cleaning or operating instructions.
- Replacement or repair of components due to fair wear and tear.
- Any consequential damage or wear arising from the use or fitting of additional or non-standard parts.

Modifications

If any third-party modifications or alterations, involving drilling, welding, cutting or distortion of materials in any form, are to be carried out on the product, Conquip Engineering Group must provide full written approval prior to the work being carried out.

Alterations, modifications, additions or repairs must be carried out by Conquip Engineering Group's recognised distributors, if they are not carrying out the work themselves.

Conquip Engineering Group operate a continuous improvement policy and therefore reserve the right to alter technical specifications and user guide details at any point without notice.

Conquip Engineering Group will not cover or reimburse any transportation and/or shipment costs to and from their premises or their recognised agents, or any material and/or labour costs for repair, replacement or assessment against a warranty claim.

Conquip Engineering Group and/or their directors, employees, insurers or recognised agents will not be held liable for consequential damages, losses or expenses relating to the inability to use the product correctly for its purpose.

Important Notes

- This User Guide is for this Conquip product only.
- Any movements of the product must be thoroughly planned before the work commences to identify potential hazards and assess risk.
- All personnel involved in lifting and transportation of this product must have read this User Guide and must be properly briefed.
- You must be competent, alert and medically fit when using this equipment. If you have a medical condition, a mental or physical disability, you must seek advice from a medical professional before using this equipment.

Talking to us is easy

We're here to help

Call us on 0800 116 076

Email us at sales@conquipgroup.co.nz

www.conquipgroup.co.nz