

User Guide

# Powerbrush Forklift Sweeper

---



## Product Information

### Overview

---

The Conquip Powerbrush is a hydraulically powered forklift sweeper that cleans and collects dirt and waste. It features a large 250-litre water tank with two discharge options from the dispenser bar, drip-feed or pressurised spray.

The unit is both durable and inexpensive to maintain and can be customised with an optional kerb brush for cleaning kerbs and gullies.

The Powerbrush is a very cost effective and easy way to keep construction sites clean and safe at all times. It offers total flexibility and is much cheaper than hiring a road sweeper.

### Key Benefits

- Available as a standard base unit with drip-fed water or a pressurised water spray system for enhanced dust suppression.
- The 7 brush sections can be replaced quickly and their height can be easily adjusted as they wear.
- Simple hydraulic system with a single 1-way hydraulic valve, reducing the number of wearing parts.
- Only 7 grease points for easy maintenance: 2 on each wheel and 1 on the main shaft bearing.
- Robust hopper collects dirt and waste and the durable design provides protection from manhole covers.
- 3 wheels for maximum stability and the ability to follow uneven ground.
- Manufactured in UK from high-quality British and European steel.

### Optional Extras

- Kerb brush for cleaning gullies and kerbs.

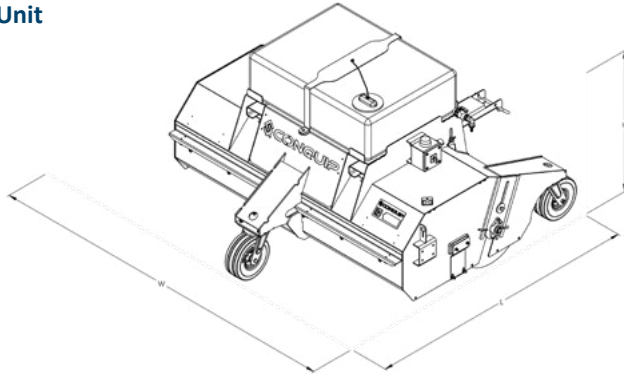
### Flow Rate & Pressure

- Hydraulic flow rate: Maximum 60 litres per minute continuous, 75 litres per minute intermittent.
- Hydraulic pressure: Maximum 175 bar continuous, 190 bar intermittent.
- Maximum pressure drop if flow rate and pressure are high: 135 bar continuous.

## Product Information Specification

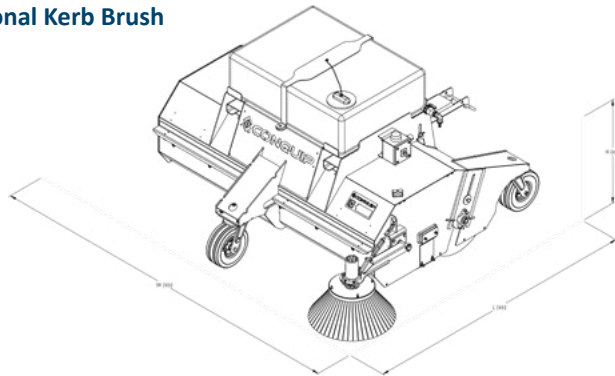
| Item       | Product Code  |
|------------|---------------|
| Powerbrush | SA800AN-02100 |

### Standard Unit



| Height | Width  | Length | Weight | Fork Pockets | Tank Capacity |
|--------|--------|--------|--------|--------------|---------------|
| 1260mm | 2340mm | 2180mm | 560kg  | 148x60mm     | 250 litres    |

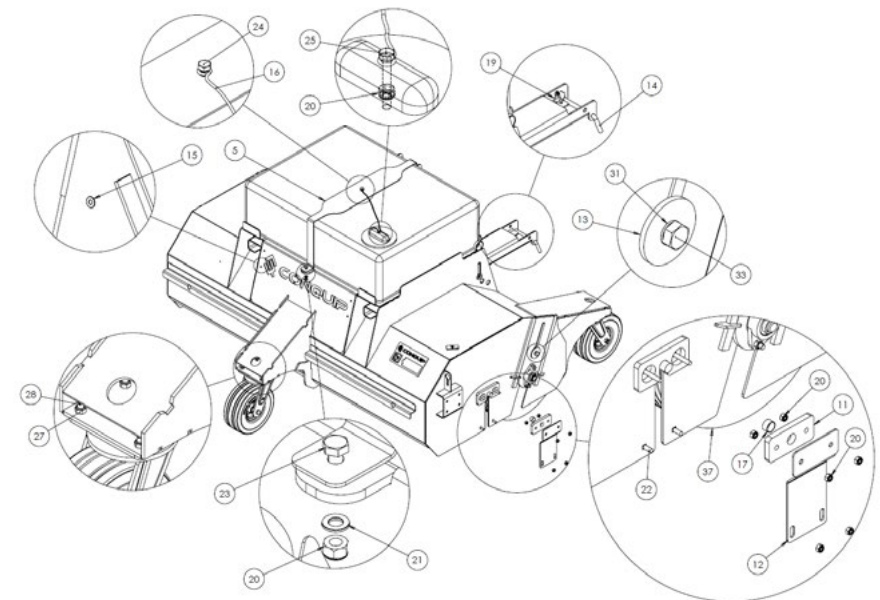
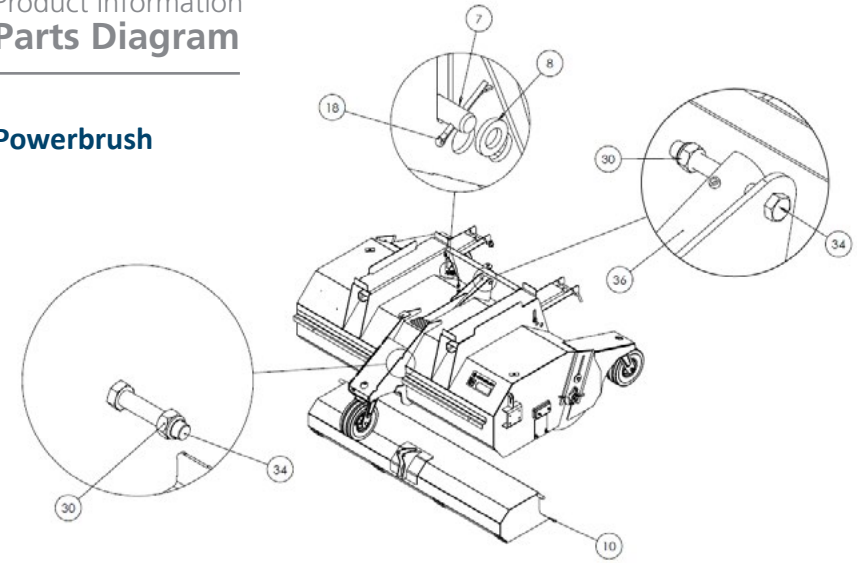
### With Optional Kerb Brush



| Height | Width  | Length | Weight | Fork Pockets | Tank Capacity |
|--------|--------|--------|--------|--------------|---------------|
| 1260mm | 2700mm | 2300mm | 585kg  | 148x60mm     | 250 litres    |

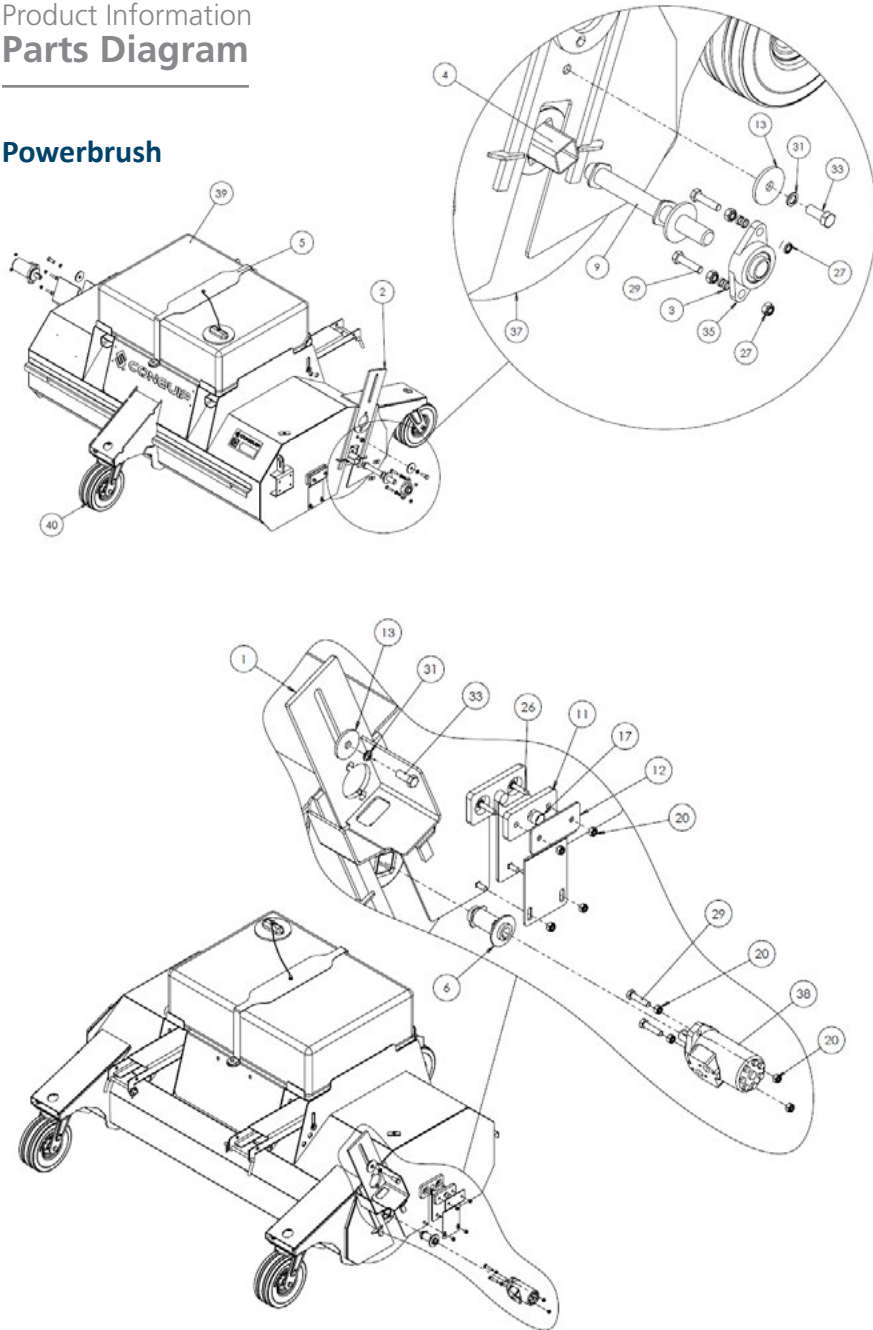
## Product Information Parts Diagram

### Powerbrush



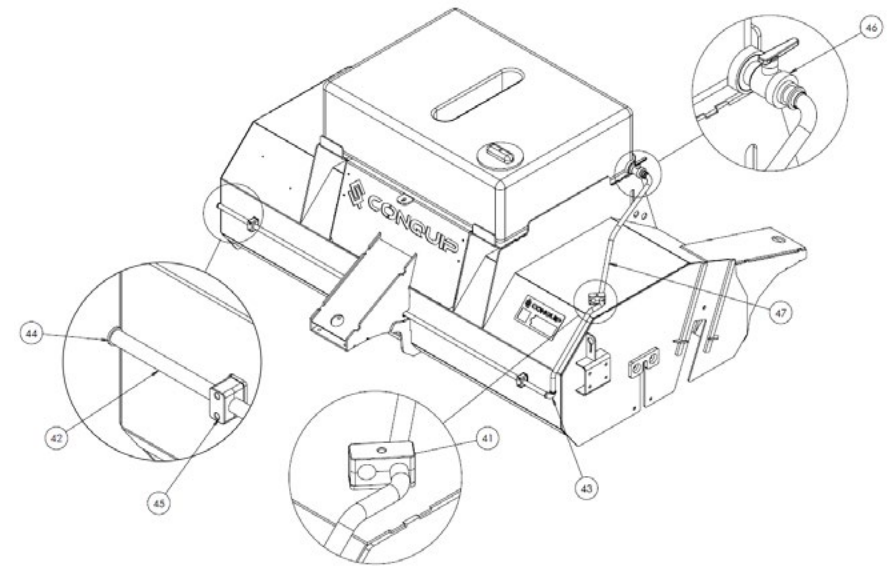
Product Information  
**Parts Diagram**

**Powerbrush**



Product Information  
**Parts Diagram**

**Powerbrush**



NOTE: These parts are for this model, they may differ for previous versions. Please contact Conquip with any queries.

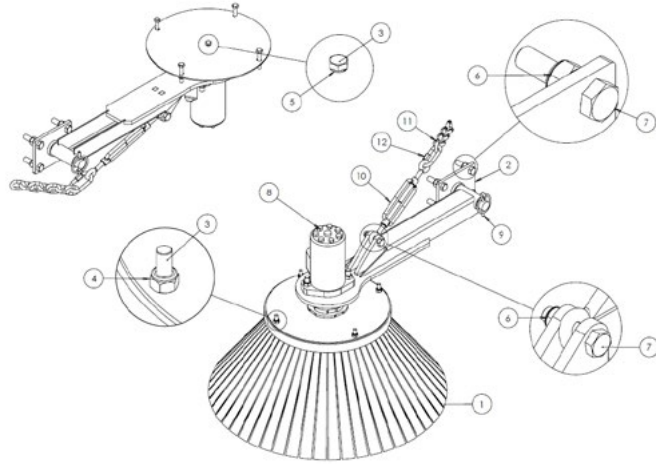
| Item Number | Part Number | Description  | Quantity |
|-------------|-------------|--|----------|
| 1           | ZZ220169    | Brush Adjustment Assembly  | 1        |
| 2           | ZZ220170    | Brush Adjustment Assembly c/w Bearing                                      | 1        |
| 3           | ZZ960079    | Washer 4mm x OD: 15.5mm x ID:12.5mm  | 4        |
| 4           | ZZ220173    | Main Brush Shaft, Length: 2065mm   | 1        |
| 5           | ZZ220174    | Water Tank Strap   | 1        |
| 6           | ZZ220187    | Shaft Motor Insert Assembly  | 1        |
| 7           | ZZ220176    | Fork Pocket Retaining Pins   | 2        |
| 8           | ZZ960078    | Washer 6mm x OD:37mm x ID:21mm   | 2        |
| 9           | ZZ220177    | Shaft Bearing Insert Assembly  | 1        |
| 10          | ZZ960077    | Washer 6mm x OD:73mm x ID:30.5mm   | 1        |
| 11          | ZZ220178    | Hopper Bearing Bracket   | 2        |
| 12          | ZZ220179    | Hopper Safety Guard  | 2        |
| 13          | ZZ960063    | Washer 6mm x OD: 70mm x ID: 17mm   | 2        |
| 14          | ZZ990000    | Heel Pin, 16mm dia. Max Pocket Width 180mm (Single)                        | 2        |
| 15          | NS800804    | 4.8 x 20mm Alu Large Flange Blind (Pop) Rivets                             | 4        |
| 16          | ZZ990510    | Coated Galvanised Restraint Wire, 500mm c/w Nylon Eye                      | 1        |
| 17          | ZZ960064    | Sleeve Bearing, Oilon, OD: 25mm x ID:15mm x 28mm                           | 2        |
| 18          | ZZ220167    | Splined Hub, 8mm Key, 100mm L, OD: 50mm $\emptyset$ , ID: 25mm $\emptyset$ | 1        |
| 19          | ZZ990009    | Linch Pin 6mm x 42mm   | 4        |
| 20          | NS800013    | M10 Nyloc Nut  | 18       |
| 21          | NS800262    | M10 Steel Washer A BZP   | 2        |
| 22          | NS800888    | M10 x 30mm Coach Bolt  | 4        |
| 23          | NS800666    | M10 X 30 Hex Head set BZP  | 2        |
| 24          | NS800066    | M10 x 35 8.8 HT Hex Head Set Screw BZP                                     | 1        |
| 25          | NS800622    | M8 x 30 Hex Head Set Screw BZP   | 1        |
| 26          | NS800860    | M10x60 Coach Bolt  | 4        |

NOTE: These parts are for this model, they may differ for previous versions. Please contact Conquip with any queries.

| Item Number | Part Number | Description   | Quantity |
|-------------|-------------|---|----------|
| 27          | NS800015    | M12 Nyloc Nut BZP   | 16       |
| 28          | NS800889    | M12 x 40 Hex Head Set Screws 8.8 HT                       | 12       |
| 29          | NS800817    | M12 x 50 8.8 HT BZP Hex Set Screws                        | 4        |
| 30          | NS800121    | M16 Nyloc Nuts BZP  | 2        |
| 31          | NS800249    | M16 Spring Washer   | 2        |
| 32          | NS800566    | M16 x 130 Bolts BZP                                       | 1        |
| 33          | NS800379    | M16 x 40 Set Screw  | 2        |
| 34          | NS800801    | M16 x 70 Bolt BZP   | 1        |
| 35          | ZZ220003    | Flanged Bearing, 30mm c/w Grease Nipple                   | 1        |
| 36          | ZZ960065    | Hydraulic Cylinder, 20mm $\emptyset$ Piston, 400mm Stroke | 1        |
| 37          | ZZ270000    | Brush 100% PPN 295mm x 600mm $\emptyset$                  | 7        |
| 38          | ZZ220185    | Hydraulic Motor AGMR 160                                  | 1        |
| 39          | ZZ990506    | Water Tank, 250L, c/w Conquip Branding                    | 1        |
| 40          | ZZ270141    | Swivel Castor, Heavy Duty, 305mm Wheel Diameter           | 3        |
| 41          | ZZ220180    | Hydraulic Double Hose Clamp, 3/8"                         | 2        |
| 42          | ZZ220042    | 2m UPVC Pipe, ID: 1/2"                                    | 1        |
| 43          | ZZ220040    | 90° Elbow, 1/2" Thread, 1/2" Solvent UPVC                 | 1        |
| 44          | ZZ220043    | End Cap, ID: 1/2" Solvent UPVC                            | 1        |
| 45          | ZZ220181    | Hydraulic Single Hose Clamp, 1/2"                         | 2        |
| 46          | ZZ220126    | Water Tap   | 1        |
| 47          | ZZ220125    | PVC Water Hose  | 1        |

## Product Information Parts Diagram

### Powerbrush Kerb Brush

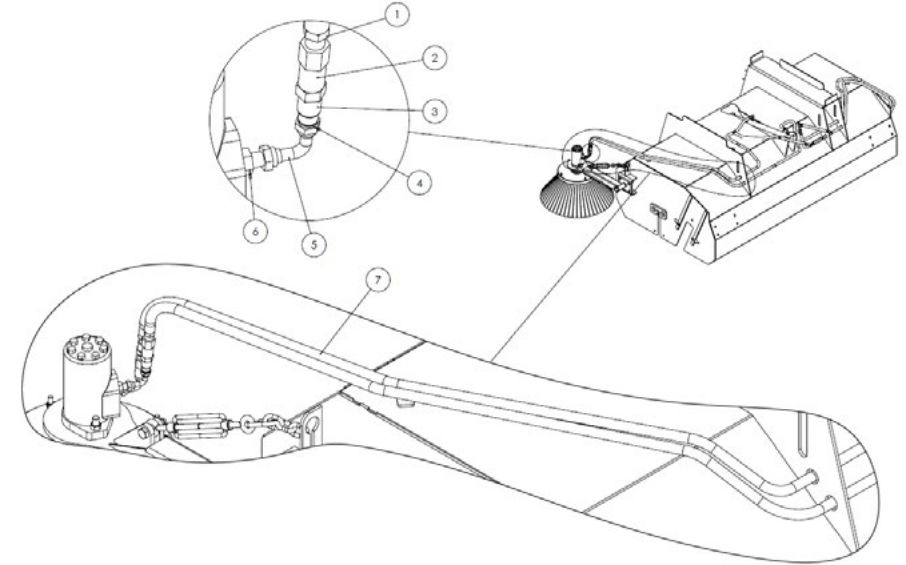


NOTE: These parts are for this model, they may differ for previous versions. Please contact Conquip with any queries.

| Item Number | Part Number | Description  | Quantity |
|-------------|-------------|--|----------|
| 1           | ZZ220051    | Poly Kerb Brush, 4 Fixing Bolts                            | 1        |
| 2           | ZZ220054    | Kerb Brush Bracket   | 1        |
| 3           | NS800370    | M8 x 50 HT Hex Bolt BZP                                    | 5        |
| 4           | NS800011    | M8 Nylon Inset Nut BZP                                     | 4        |
| 5           | NS800378    | M8 Spring Washer   | 1        |
| 6           | NS800817    | M12 x 50 8.8 HT BZP Hex Set Screws                         | 7        |
| 7           | NS800015    | M12 Nylon Inset Nut BZP                                    | 4        |
| 8           | ZZ220185    | Hydraulic Motor AGMR 160                                   | 1        |
| 9           | ZZ990009    | Linch Pin 6mm x 42mm                                       | 1        |
| 10          | ZZ220054    | Kerb Brush Bracket   | 1        |
| 11          | ZZ990515    | Chain, Galvanised, 8mm x 52mm x 32mm Long Link (per metre) | 4        |
| 12          | ZZ110009    | Quick Link, 8mm  | 1        |

## Product Information Parts Diagram

### Powerbrush Kerb Brush Hydraulics



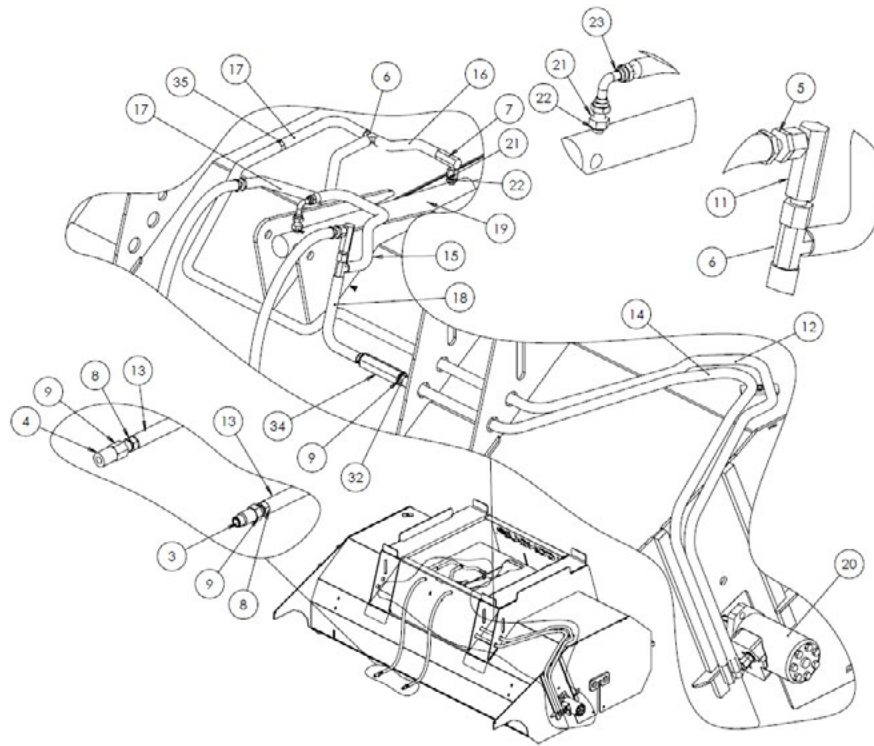
NOTE: These parts are for this model, they may differ for previous versions. Please contact Conquip with any queries.

| Item Number | Part Number | Description  | Quantity |
|-------------|-------------|--|----------|
| 1           | ZZ220071    | Male-Male Adaptor 3/8" X 3/8" BSP                    | 3        |
| 2           | ZZ220097    | 1/2" Flat Face Female Quick Release Coupling         | 2        |
| 3           | ZZ220096    | 1/2" Flat Face male Quick Release Coupling           | 2        |
| 4           | ZZ990561    | Rubber Bonded Seal 1/2" (Dowty Washer)               | 4        |
| 5           | ZZ220202    | Male-Female Adaptor Swept 90° 1/2" x 1/2" BSP        | 2        |
| 6           | ZZ220070    | Male-Male Adaptor, 1/2" X 1/2" BSP                   | 2        |
| 7           | ZZ220203    | Hydraulic Hose, 3/8" Ø, 200mm, Ends: 3/8" F / 1/2" F | 2        |

# Product Information

## Parts Diagram

### Powerbrush without Kerb Brush Hydraulics



NOTE: These parts are for this model, they may differ for previous versions. Please contact Conquip with any queries.

| Item Number | Part Number | Description   | Quantity |
|-------------|-------------|---|----------|
| 1           | ZZ220071    | Male-Male Adaptor 3/8" X 3/8" BSP                                 | 5        |
| 2           | ZZ990562    | Rubber Bonded Seal 3/8" (Dowty Washer)                            | 4        |
| 3           | ZZ220092    | 3/8" Flat Face male Quick Release Coupling                        | 1        |
| 4           | ZZ220093    | 3/8" Flat Face Female Quick Release Coupling                      | 1        |
| 5           | ZZ220193    | Bulkhead Fitting c/w Locknut, 3/8" BSP                            | 2        |
| 6           | ZZ220123    | 3/8" M/M/M Tee Piece  | 2        |
| 7           | ZZ220122    | Male-Female Adaptor Compact 90° 3/8" x 3/8" BSP                   | 3        |
| 8           | ZZ220137    | Male-Male Adaptor, 3/8" X 1/2" BSP                                | 6        |
| 9           | ZZ990561    | Rubber Bonded Seal 1/2" (Dowty Washer)                            | 6        |
| 10          | ZZ220138    | 1 way Valve Female to Female 1/2in                                | 1        |
| 11          | ZZ220194    | Female-Female Adaptor Compact 90° 3/8" x 3/8" BSP                 | 1        |
| 12          | ZZ220195    | Hydraulic Hose, 3/8" Ø, 2200mm, Ends: 3/8" F / 3/8" F             | 1        |
| 13          | ZZ220184    | Hydraulic Hose, 3/8" Ø, 2100mm, Ends: 3/8" F / 3/8" F             | 2        |
| 14          | ZZ220196    | Hydraulic Hose, 3/8" Ø, 1600mm, Ends: 3/8" F / 3/8" F             | 1        |
| 15          | ZZ220197    | Hydraulic Hose, 3/8" Ø, 470mm, Ends: 3/8" F / 3/8" F              | 1        |
| 16          | ZZ220198    | Hydraulic Hose, 3/8" Ø, 2100mm, Ends: 3/8" F / 3/8" Compact 90° F | 1        |
| 17          | ZZ220199    | Hydraulic Hose, 3/8" Ø, 220mm, Ends: 3/8" F / 3/8" F              | 2        |
| 18          | ZZ220200    | Hydraulic Hose, 3/8" Ø, 170mm, Ends: 3/8" F / 3/8" F              | 1        |
| 19          | ZZ960065    | Hydraulic Cylinder, 20mm Ø Piston, 400mm Stroke                   | 1        |
| 20          | ZZ220185    | Hydraulic Motor AGMR 160  | 1        |
| 21          | ZZ220201    | Male-Male Adaptor, 1/4" X 3/8" BSP                                | 2        |
| 22          | ZZ990563    | Rubber Bonded Seal 1/4" (Dowty Washer)                            | 2        |

## Original Working Instructions

# Usage Instructions

---

### Important Usage Notes

- The Powerbrush is supplied with heel pins that must be fitted correctly before use. If the heel pins are missing do not use the equipment or fit alternatives - contact Conquip Engineering Group for a replacement.
- Drain the water tank in cold weather to prevent freezing.
- Keep the hydraulic hoses safely off the ground to avoid them getting damaged.
- DO NOT disconnect the hydraulic hoses unless the pressure from the auxiliary service has been released.
- Never allow brick banding, barbed wire, or any straps to be picked up by the Powerbrush.
- Always ensure the hydraulic system is in operation before use.
- DO NOT drive directly over fixed objects, such as manholes.
- Close the hopper fully when not using the Powerbrush to avoid pressure.

### Assembly Instructions for the Optional Kerb Brush

1. Bolt on the Kerb Brush Pin Bracket (ZZ220054) to the Powerbrush, using 4 M12 x 50mm bolts, provided.
2. Slide the gulley brush arm onto the pin.
3. Insert the linch pin to secure the arm to the bracket.
4. Pass the chain through the anchor point to a position where the bristle of the kerb brush is just off the floor.
5. Use the turn buckle for fine adjustment to a point where the front bristles are just touching the floor with a small amount of deflection.

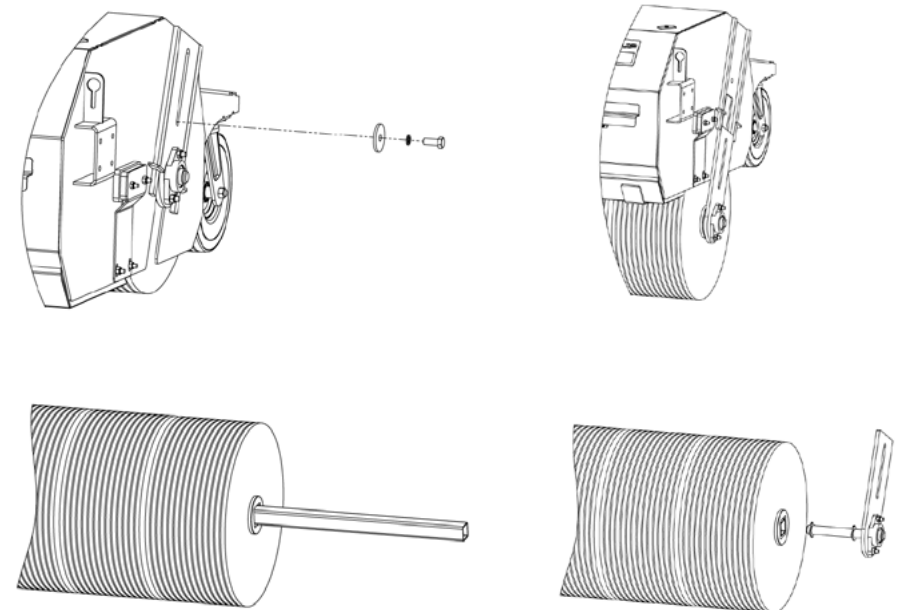
## Original Working Instructions

# Usage Instructions

---

### Assembly Instructions for Replacing the Main Brush Sections

1. Remove the bolt and washer from the top plate fixing on both sides of the Powerbrush body, and detach the hydraulic hoses.
2. With the fixings now removed on both sides, lift the Powerbrush with the forklift. The brush, along with any fixings attached, will now slide down the plate guide and detach itself from the Powerbrush body.
3. Once the brush is fully detached from the Powerbrush body, detach the fixing, bearing and bearing shaft (as shown).
4. Once fixing and bearing parts are removed, the brush sections with the brush can pull out.





## Original Working Instructions

# Usage Instructions

---

### Pre-Use Checklist

1. Before using the Powerbrush, charge the battery by inserting the 110v plug into the socket. Once fully charged, remove the plug from the socket.
2. Ensure the water tap is in the 'off position' before attempting to fill the water tank.
3. Remove the water tank cap, fill the tank with water and replace the cap.
4. Check that the wheels of the Powerbrush are free to swivel, not damaged and the bearings are well greased.
5. Check the hydraulic hoses and connections for leaks and ensure they are not damaged.
6. Check there are 2 fork retaining pins in the heel pin storage slots that can be secured after the telehandler has inserted the forks into the fork pockets.
7. If you have a kerb brush fitted, check the adjustment chain is in its bracket and the linch pin is secure.

### Setting up the Powerbrush

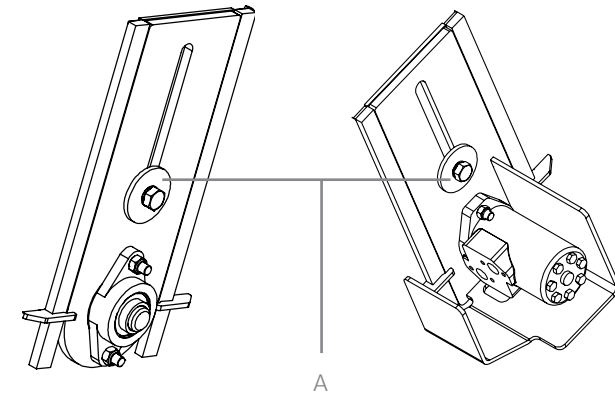
1. To connect the Powerbrush to your forklift, set the machine's forks to the correct width for the Powerbrush fork pockets. Make sure that they are equidistant from the centre.
2. Drive the forklift/ telehandler to the Powerbrush. Align the forks with the Powerbrush fork pockets and fully insert the forks.
3. Fit the fork retaining pins behind the heel of the forks to secure the Powerbrush to the machine.
4. Apply the park brake and switch off the forklift engine.
5. Release any pressure in the auxiliary hydraulic line of the machine by operating the control lever.
6. Detach the main hose couplings on the Powerbrush and connect them to the 2 outputs on the machine. The quick release female on the Powerbrush connects to the male on the machine and the male to the female.
7. Check that the main brush is rotating and the hopper is opening and closing fully.

## Original Working Instructions

# Usage Instructions

---

8. Ensure that the main brush is adjusted correctly. Always set up the Powerbrush on a level surface. The bristles should be touching the ground very slightly with a small deflection where they meet the floor.
9. To adjust the brush, undo bolt 'A' on one side of the brush (see diagram below) and apply a small amount of pressure to push the brush to the ground. Re-tighten the bolt. Repeat this procedure to the other side of the brush.



10. The Powerbrush is now ready for use.

NOTE: Configuration may differ on different forklift makes and models.

## Original Working Instructions

# Usage Instructions

---

### Using the Powerbrush

1. Open the water tap, to allow water to dribble evenly from the dispenser bar at the front of the Powerbrush.
2. For the pressurised water spray model, turn the electric switch on.
3. Lower the brush to the floor.
4. Ensure that the floating forks are centralised and the forks are level.
5. Activate the brush by operating the hydraulic circuit of the forklift or telehandler.
6. Drive forward at a suitable speed to achieve the desired sweep results.
7. Once the hopper is full, lift the Powerbrush to a suitable location and reverse the flow of the hydraulic circuit to empty the hopper.

### Removing the Powerbrush from your Machine

1. To remove the Powerbrush from a forklift or telehandler, first park in a suitable place away from site traffic but somewhere that is easily accessible when the unit is required again.
2. Apply the park brake and switch of the forklift engine.
3. Operate the auxiliary control lever, without the engine running, to release the pressure and close the hopper.  
**Closing the hopper will prevent a build up in the hydraulic hoses.**
4. Exit the machine cab to follow the next steps.
5. Turn the water tap to the 'off position'. If using the pressurised water spray, make sure the power supply switch is turned off so that the orange beacon is no longer flashing.  
**In freezing conditions, remove the water hose and drain the tank.**
6. Remove the hydraulic hoses from the 2 outputs on the arm of the machine.  
**CAUTION:** Use gloves as the connections will be hot due to hydraulic oil passing through the hoses.
7. Remove the fork retaining pins and refit them into their storage holes.
8. Return to the machine's cab to detach the Powerbrush from the forklift or telehandler.

## Original Working Instructions

# Usage Instructions

---

9. Slowly reverse the forklift or telehandler to remove the forks from the fork pockets.
10. Conquip advise lubricating the grease points after use, as demonstrated in our 'How to use the Powerbrush' video. Scan the QR code at the top of this User Guide to watch.
11. Recharge the battery.

# Original Working Instructions

## Safety Instructions

### Basic Safety

A site-specific Risk Assessment, and lift plan where applicable, must be completed by the responsible person before using this equipment to control risks, produce a safe system of work and ensure safety for you, your colleagues and others. Your risk assessment will determine the correct Personal Protective Equipment (PPE) for the task you are doing. You must use it. Conquip recommends that you should wear:

- Suitable clothing
- Gloves
- Hard hat
- Protective footwear (steel toecaps)
- Safety glasses



### Important Safety Notes

- Read these instructions before using this equipment. If there is anything you do not understand or if you have any concerns do not use this equipment. Contact your supervisor or Conquip Engineering Group for advice.
- You must check that you have considered all the safety requirements for the task you are doing and that this equipment is suitable.
- You must protect bystanders and the general public by preventing access to the working area.
- Do not use this equipment if you are tired, unwell or under the influence of alcohol or drugs. If you are taking any medicine or undergoing treatment you should inform your supervisor.

### Usage & Transportation

- Never unevenly load this equipment.
- The weight of the equipment, together with its attachments, must be added to the weight of the load when calculating the total load that will be imposed on the lifting apparatus / operating machine.
- This equipment must be used in conjunction with the load ratings of the lifting apparatus / operating machine. (Refer to the manufacturers' load ratings and original working instructions).
- Make sure you know how to use this equipment and understand all aspects of its operation in case of emergency.
- This equipment weighs more than 25kg. Do not lift or manhandle without machine assistance.
- Do not operate this equipment near overhead power lines.
- Take care in confined spaces, near ceilings or similar hazards. This equipment was designed for vertical lifting. Do not drag, or swing.
- Before operating this equipment, check that you have enough space for you to work safely and make sure that the working area is clear of hazards, obstructions and personnel.
- Before lowering equipment make sure that the landing zone is clear and capable of accepting the size and weight of the load.
- Crush Risk. Keep hands and feet clear of the equipment at all times to avoid injury.
- Do not exceed the maximum Working Load Limit (WLL) shown on the serial plate. Ensure that the WLL on the individual lift points is not exceeded.

### Personnel

- All personnel must wear relevant personal protective equipment.
- Do not wear loose clothing or jewellery and tie back long hair to avoid becoming tangled or trapped in this equipment. You must make everyone in the work area aware of what you are doing.
- All personnel involved in the lifting operation must be competent to do so and must have been briefed in conjunction with this User Guide available from Conquip Engineering Group, the manufacturer.

### Equipment Maintenance & Cleaning

- It is mandatory that the equipment is thoroughly examined regularly, by a qualified engineer, to ensure compliance with relevant regulation/s. (Conquip recommend to carry out thorough examination every six months).
- This product may incorporate various loose and detachable items of lifting gear. Refer to the separate requirements for the safe use of those items.
- When not being used, store the unit in a clean, upright condition and in a safe place where it will be protected from thieves and unauthorised users.
- This equipment must be inspected by the responsible person before each use and then regularly, as determined by your risk assessment or working practice. If you have any concerns about condition or suitability do not use.

## Disclaimer

### Warranty

The products supplied by Conquip Engineering Group are all guaranteed by a 12 month warranty.

Apart from where exceptions apply, Conquip Engineering Group promises to repair or replace any fault which the Company considers to be due to defective material or workmanship within 12 months of the date of sale, at no additional cost.

- Faults arising from unauthorised alterations (see modifications section below for full details).
- Damage caused by abuse, neglect, misuse or falling.
- Damage caused because of failure to follow transportation, storage, loading, cleaning or operating instructions.
- Replacement or repair of components due to fair wear and tear.
- Any consequential damage or wear arising from the use or fitting of additional or non-standard parts.

### Modifications

If any third-party modifications or alterations, involving drilling, welding, cutting or distortion of materials in any form, are to be carried out on the product, Conquip Engineering Group must provide full written approval prior to the work being carried out.

Alterations, modifications, additions or repairs must be carried out by Conquip Engineering Group's recognised distributors, if they are not carrying out the work themselves.

Conquip Engineering Group operate a continuous improvement policy and therefore reserve the right to alter technical specifications and user guide details at any point without notice.

Conquip Engineering Group will not cover or reimburse any transportation and/or shipment costs to and from their premises or their recognised agents, or any material and/or labour costs for repair, replacement or assessment against a warranty claim.

Conquip Engineering Group and/or their directors, employees, insurers or recognised agents will not be held liable for consequential damages, losses or expenses relating to the inability to use the product correctly for its purpose.

## EC Declaration of Conformity

### In accordance with EN ISO 17050-1:2004

Declaration: As defined by the Machinery Directive 2006/42/EC and subsequent amendments

We, CONQUIP ENGINEERING GROUP, herewith declare that the following indicated equipment meets the fundamental health and safety requirements concerning the EU guide line(s), due to their design and manufacture.

This declaration will be rendered null and void if the machine is changed without our approval.

Signed:



Dated: 2023

Garry Critchley, Managing Director

|   |   |
|---|---|
| <b>Product Code(s):</b>                 | SA800AN-02100   |
| <b>EC Directive/Regulation:</b>         | 2006/42/EC,<br>Provision and Use of Work Equipment Regulations 1998 |
| <b>Harmonised Standards:</b>            | BS EN ISO 12100:2010  |
| <b>General Description/Designation:</b> | Powerbrush – SA800AN-02100  |
| <b>WLL:</b>                             | SA800AN-02100 = N/A   |

## Important Notes

- This User Guide is for this Conquip product only.
- Any movements of the product must be thoroughly planned before the work commences to identify potential hazards and assess risk.
- All personnel involved in lifting and transportation of this product must have read this User Guide and must be properly briefed.
- You must be competent, alert and medically fit when using this equipment. If you have a medical condition, a mental or physical disability, you must seek advice from a medical professional before using this equipment.

Talking to us is easy

**We're here to help**

Call us on (02) 8844 4590

Email us at [sales@conquipgroup.com.au](mailto:sales@conquipgroup.com.au)

[www.conquipgroup.com.au](http://www.conquipgroup.com.au)