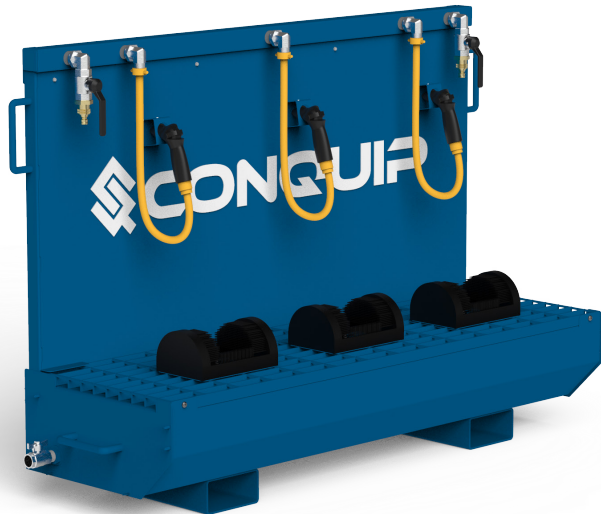


User Guide

# Boot Wash





## Product Information

# Overview

---

The Conquip Boot Wash is a stand-alone boot cleaning station designed to provide an area site operatives and visitors to clean off their footwear before entering clean zones, such as site cabins or newly constructed buildings. The system has a raised anti-slip grated platform, with boot brushes, an integral water feed, hoses and hose spray guns.

### Key Benefits

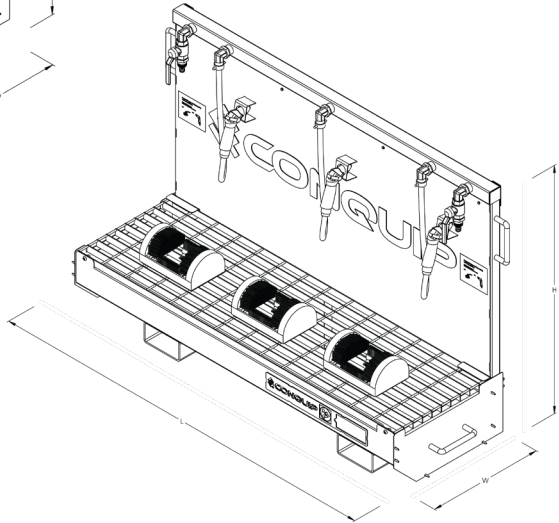
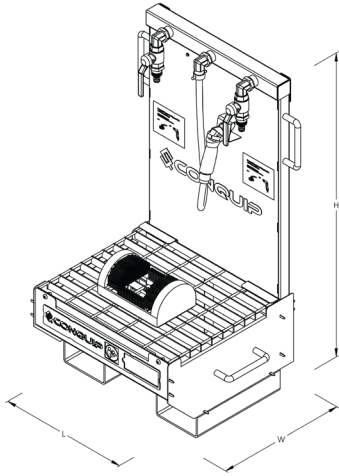
- Integrated water feed with compression fittings for up to three water hose spray guns.
- Two sizes available, either a single bay or 3 bays.
- Lightweight unit that can be flat packed for ease of transportation. Also has fork pockets, if required.
- Fitted with holders for the spray guns to ensure that hoses are kept off the ground when not in use.
- Removable anti-slip grating for standing on and to allow mud and water to drain through into the sump below.
- The drainage point is not right at the base of the tray to ensure that if the waste is contaminated it can be pumped out rather than draining straight into the ground.
- The systems can be connected to provide a longer washing station.



# Product Information

## Specification

Item	Product Code
Single Bay Boot Wash	SS600AI-00001
Triple Bay Boot Wash	SS600AI-00003

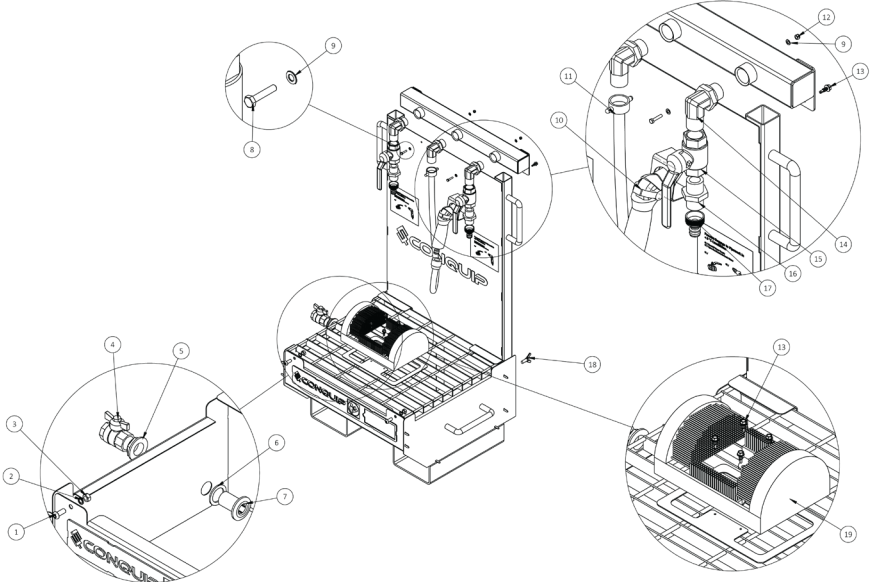


Product Code	Height	Width	Length	Weight
SS600AI-00001	1030mm	520mm	660mm	45kg
SS600AI-00003	1030mm	520mm	1560mm	80kg

# Product Information

## Parts Diagram

### Single Bay Boot Wash



# Product Information

## Parts Diagram

### Single Bay Boot Wash

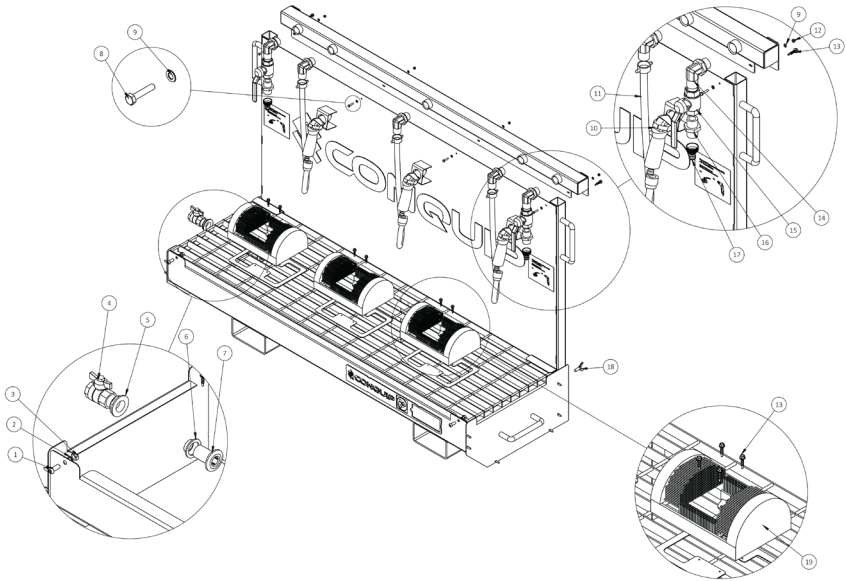
NOTE: These parts are for this model, they may differ for previous versions. Please contact Conquip with any queries.

Item Number	Part Number	Description	Quantity
1	NS800984	M8x20 Button Head Screw	2
2	NS800378	M8 Spring Washer	2
3	NS800811	M8 Full Nut	2
4	ZZ990661	Wing Grip Ball Valve 3/4", F/F BSP Threaded Connection	1
5	ZZ990664	Tank Outlet Swivel Flat Nut 3/4"	1
6	ZZ990663	Tank Outlet Flat Seal Washer 3/4", OD: 39.5mm x ID: 27.5mm x 2.5mm	1
7	ZZ990662	Tank Outlet 3/4" Male BSP	1
8	NS800968	M4x20 Hex Head Set Screw 8.8	2
9	ZZ800120	M4 Flat Washer	4
10	ZZ990482	Water Hose Gun-12.5mm(1-2in)	1
11	ZZ990678	Hose Assembly Tricoflex 1/2", Begins: 3/4" Brass F BSP, Ends: Quick Release Fitting	1
12	NS800945	M4 Nyloc Nut	2
13	NS801021	5.5 x 16 Self Tapping Screw	6
14	ZZ990806	3-4 BSP 90 Deg Elbow	3
15	ZZ990807	Lever Ball Valve 3/4", F/F BSP	2
16	ZZ990808	3-4 BSP Male Adaptor	2
17	ZZ990483	Brass Tap Connector 3-4	2
18	NS800970	M8 X 20mm Wing Bolt	2
19	ZZ990793	Heavy Duty Boot Brush	1

# Product Information

## Parts Diagram

### Triple Bay Boot Wash





# Product Information

## Parts Diagram

### Triple Bay Boot Wash

NOTE: These parts are for this model, they may differ for previous versions. Please contact Conquip with any queries.

Item Number	Part Number	Description	Quantity
1	NS800984	EM8x20 Button Head Screw	2
2	NS800378	M8 Spring Washer	2
3	NS800811	SM8 Full Nut	2
4	ZZ990661	Wing Grip Ball Valve 3/4", F/F BSP Threaded Connection	1
5	ZZ990664	Tank Outlet Swivel Flat Nut 3/4"	1
6	ZZ990663	Tank Outlet Flat Seal Washer 3/4", OD: 39.5mm x ID: 27.5mm x 2.5mm	1
7	ZZ990662	Tank Outlet 3/4" Male BSP	1
8	NS800968	M4x20 Hex Head Set Screw 8.8	4
9	ZZ800120	M4 Flat Washer	8
10	ZZ990482	Water Hose Gun-12.5mm(1-2in)	3
11	ZZ990678	Hose Assembly Tricoflex 1/2", Begins: 3/4" Brass F BSP, Ends: Quick Release Fitting	3
12	NS800945	M4 Nyloc Nut	4
13	NS801021	5.5 x 16 Self Tapping Screw	14
14	ZZ990806	3-4 BSP 90 Deg Elbow	5
15	ZZ990807	Lever Ball Valve 3/4", F/F BSP	2
16	ZZ990808	3-4 BSP Male Adaptor	2
17	ZZ990483	Brass Tap Connector 3-4	2
18	NS800970	M8 X 20mm Wing Bolt	2
19	ZZ990793	Heavy Duty Boot Brush	3

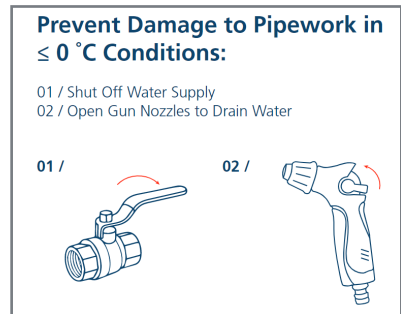
# Original Working Instructions

## Usage Instructions

---

### Important Usage Notes

- Ensure the drainage tray is free of any dirt or water and fully empty before lifting and manoeuvring.
- The hose connector is a standard British outdoor tap connector. Ideal for  $\frac{3}{4}$  inch BSP taps (26.5mm).
- The Boot Wash is lightweight so can be installed by hand, by 2 operatives, rather than using a forklift.
- Empty trough regularly and before lifting.
- To prevent damage to pipework in freezing conditions during the Winter months, shut off water supply by closing the inlet tap and open the opposite tap (not connected to hose), and open gun nozzles after use to drain water.
- Look for this sticker (right) on product for instructions of how to shut off water supply.



- Suitable to be moved around site via forklift. Only lift with 2 people once backboard is disconnected from trough to avoid injury. Do not lift alone.

### Installation using a Forklift

1. To move the Boot Wash with a forklift, first set the machine's forks to the correct width for the Boot Wash fork pockets. Make sure they are equidistant from the centre.
2. Drive the forklift to the Boot Wash, aligning the forks with the Boot Wash fork pockets.
3. Double check that they are correctly aligned, then move the telehandler forward until the forks are fully inserted into the fork pockets
4. The Boot Wash is now ready to lift.
5. Manoeuvre the Boot Wash to the required position on site and lower onto

## Original Working Instructions

# Usage Instructions

---

firm, level ground.

6. Having lowered the Boot Wash to the ground, reverse the forklift clear of the equipment.
7. Connect the integral water feed of the Boot Wash to a water source, on the side of the unit. Make sure the tap on the side of the tray is turned off to prevent waste leaving the tray until ready to empty the tray.
8. The Boot Wash is now ready to use. Installation by Personnel
9. Lift the separate components to the area of set up. Using 2 people, place the tray in the desired position on level ground.
10. Now place the grate into the tray and ensure it is level and secure.
11. Lift the backboard and slot it into the tab holes at the back of the tray. Ensure it is securely slotted into the tray.
12. Connect the integral water feed of the Boot Wash to a water source, on the side of the unit. Make sure the tap on the side of the tray is turned off to prevent waste leaving the tray until ready to empty the tray.
13. The Boot Wash is now ready to use.

## Usage Instructions

1. Take the spray gun from the holder.
2. To turn the spray gun on, hold the holster and then push the trigger up with your thumb. You can adjust the volume and stream of water spray by twisting the nozzle section to the left or the right.
3. Use the brush on the grating to remove any large clods of mud from the boots. For best results spray water at the boot simultaneously.
4. To empty the bung (tray), open the tap on the side of the unit. If you are left with solid mud or dirt in the bottom of the tray you can remove this with a shovel.
5. If the water is contaminated, you can connect a hose to the tap of the bund and pump the contaminated waste into a separate container.

# Original Working Instructions

## Safety Instructions

---

### Basic Safety

A site-specific Risk Assessment, and lift plan where applicable, must be completed by the responsible person before using this equipment to control risks, produce a safe system of work and ensure safety for you, your colleagues and others. Your risk assessment will determine the correct Personal Protective Equipment (PPE) for the task you are doing. You must use it. Conquip recommends that you should wear:

- Suitable clothing
- Gloves
- Hard hat
- Protective footwear (steel toecaps)
- Safety glasses



### Important Safety Notes

- Read these instructions before using this equipment. If there is anything you do not understand or if you have any concerns do not use this equipment. Contact your supervisor or Conquip Engineering Group for advice.
- You must check that you have considered all the safety requirements for the task you are doing and that this equipment is suitable.
- You must protect bystanders and the general public by preventing access to the working area.
- Do not use this equipment if you are tired, unwell or under the influence of alcohol or drugs. If you are taking any medicine or undergoing treatment you should inform your supervisor.

## Usage & Transportation

- Never unevenly load this equipment.
- The weight of the equipment, together with its attachments, must be added to the weight of the load when calculating the total load that will be imposed on the lifting apparatus / operating machine.
- This equipment must be used in conjunction with the load ratings of the lifting apparatus / operating machine. (Refer to the manufacturers' load ratings and original working instructions).
- Make sure you know how to use this equipment and understand all aspects of its operation in case of emergency.
- This equipment weighs more than 25kg. Do not lift or manhandle without machine assistance.
- Do not operate this equipment near overhead power lines.
- Take care in confined spaces, near ceilings or similar hazards. This equipment was designed for vertical lifting. Do not drag, or swing.
- Before operating this equipment, check that you have enough space for you to work safely and make sure that the working area is clear of hazards, obstructions and personnel.
- Before lowering equipment make sure that the landing zone is clear and capable of accepting the size and weight of the load.
- Crush Risk. Keep hands and feet clear of the equipment at all times to avoid injury.
- Do not exceed the maximum Working Load Limit (WLL) shown on the serial plate. Ensure that the WLL on the individual lift points is not exceeded.
- Before lifting, check that the load is secured, balanced and stable. Allow space for the equipment to move if the load shifts.
- Manoeuvre loaded or raised equipment carefully. Travel and turn slowly to avoid unit becoming unstable.

## Personnel

- All personnel must wear relevant personal protective equipment.
- Do not wear loose clothing or jewellery and tie back long hair to avoid becoming tangled or trapped in this equipment. You must make everyone in the work area aware of what you are doing.
- All personnel involved in the lifting operation must be competent to do so and must have been briefed in conjunction with this User Guide available from Conquip Engineering Group, the manufacturer.

## Equipment Maintenance & Cleaning

- It is mandatory that the equipment is thoroughly examined regularly, by a qualified engineer, to ensure compliance with relevant regulation/s. (Conquip recommend to carry out thorough examination every six months).
- This product may incorporate various loose and detachable items of lifting gear. Refer to the separate requirements for the safe use of those items.
- When not being used, store the unit in a clean, upright condition and in a safe place where it will be protected from thieves and unauthorised users.
- This equipment must be inspected by the responsible person before each use and then regularly, as determined by your risk assessment or working practice. If you have any concerns about condition or suitability do not use.



# Disclaimer

---

## Warranty

The products supplied by Conquip Engineering Group are all guaranteed by a 12 month warranty.

Apart from where exceptions apply, Conquip Engineering Group promises to repair or replace any fault which the Company considers to be due to defective material or workmanship within 12 months of the date of sale, at no additional cost.

- Faults arising from unauthorised alterations (see modifications section below for full details).
- Damage caused by abuse, neglect, misuse or falling.
- Damage caused because of failure to follow transportation, storage, loading, cleaning or operating instructions.
- Replacement or repair of components due to fair wear and tear.
- Any consequential damage or wear arising from the use or fitting of additional or non-standard parts.

## Modifications

If any third-party modifications or alterations, involving drilling, welding, cutting or distortion of materials in any form, are to be carried out on the product, Conquip Engineering Group must provide full written approval prior to the work being carried out.

Alterations, modifications, additions or repairs must be carried out by Conquip Engineering Group's recognised distributors, if they are not carrying out the work themselves.

Conquip Engineering Group operate a continuous improvement policy and therefore reserve the right to alter technical specifications and user guide details at any point without notice.

Conquip Engineering Group will not cover or reimburse any transportation and/or shipment costs to and from their premises or their recognised agents, or any material and/or labour costs for repair, replacement or assessment against a warranty claim.

Conquip Engineering Group and/or their directors, employees, insurers or recognised agents will not be held liable for consequential damages, losses or expenses relating to the inability to use the product correctly for its purpose.

## Important Notes

- This User Guide is for this Conquip product only.
- Any movements of the product must be thoroughly planned before the work commences to identify potential hazards and assess risk.
- All personnel involved in lifting and transportation of this product must have read this User Guide and must be properly briefed.
- You must be competent, alert and medically fit when using this equipment. If you have a medical condition, a mental or physical disability, you must seek advice from a medical professional before using this equipment.

Talking to us is easy

**We're here to help**

Call us on (02) 8844 4590

Email us at [sales@conquipgroup.com.au](mailto:sales@conquipgroup.com.au)

[www.conquipgroup.com.au](http://www.conquipgroup.com.au)