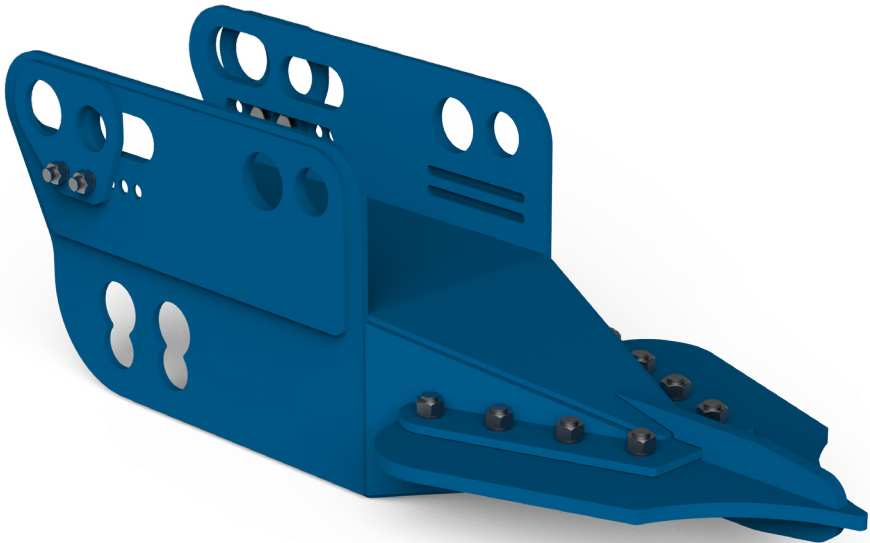


User Guide

# Excavator Pile Scraper

---



## Product Information

# Overview

---

The Conquip Excavator Pile Scraper is a simple excavator attachment solution for a cost effective and time saving method of cleaning CFA pile walls when carrying out excavation works.

The adaptable shaped plate ensures the excavator attachment can be used for cleaning most pile sizes and shapes. The reinforced nose gives it durability when cleaning off the hardest of materials, with replacement plates easily fitted when worn down. This solution replaces slow, traditional, makeshift methods such as pressure washing the wall down, or using the edge of a bucket.

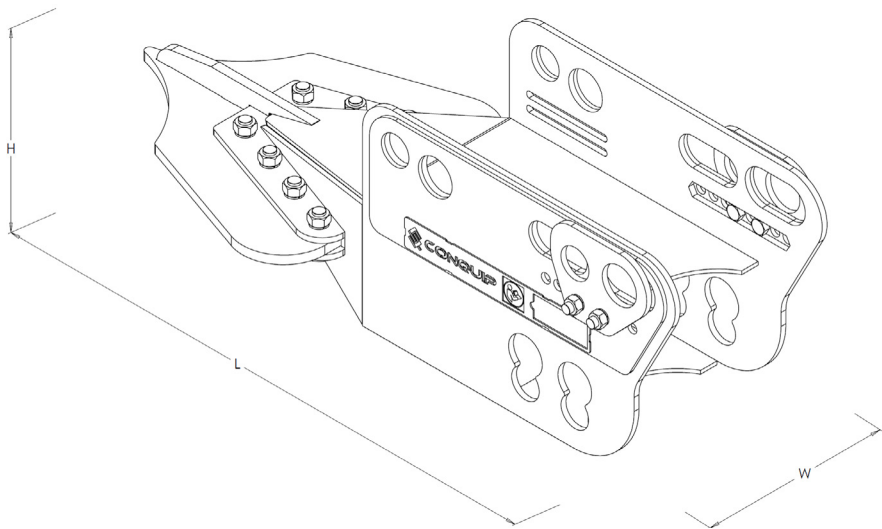
## Key Benefits

- Simple solution, built for purpose that saves time and is cost effective, replacing slow traditional methods.
- Adaptable shaped plate to suit most CFA pile walls and can be easily replaced when worn down.
- Reinforced nose for extra strength.
- Adjustable pin centres ensure that the Excavator Mechanical Pipe Lifter can be quickly fitted to any quick hitch.
- Supplied with of 65mm or 80mm pins to suit excavators of 13-22 tonne capacity.

# Product Information

## Specification

Item	Product Code
Excavator Pile Scraper	EA017AA-02000



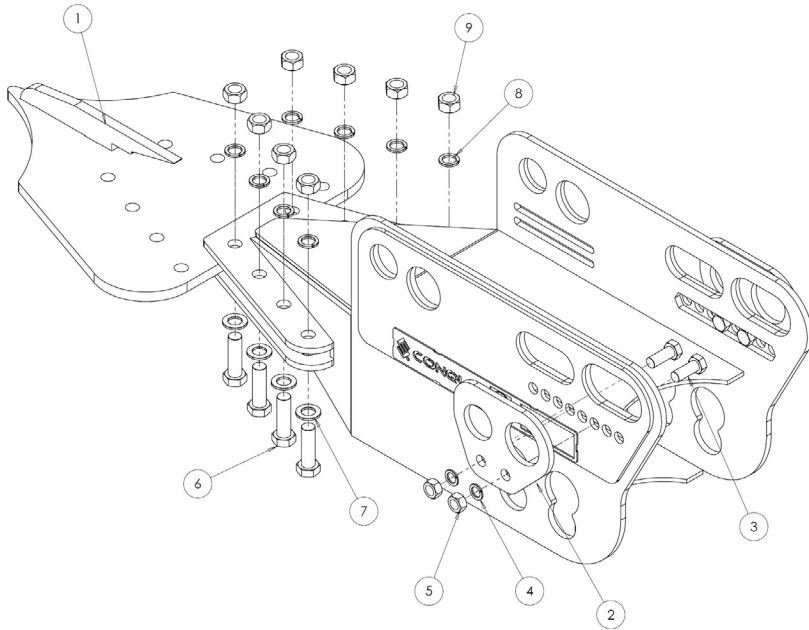
<sup>1</sup>Working Load Limit

Height	Width	Length	Weight
500mm	600mm	1450mm	200kg

# Product Information

## Parts Diagram

### Excavator Pile Scraper



NOTE: These parts are for this model, they may differ for previous versions. Please contact Conquip with any queries.

Item Number	Part Number	Description	Quantity
1	ZZ130092	600mm Scraper Assembly	1
2	ZZ130095	Adjustment Plate	2
3	NS800878	M20x50 Hex Head Set Screw 8.8	4
4	NS800886	Spring Washer M20	4
5	NS800280	M20 Full Nut	4
6	NS800849	M24x80 Hex Head Set Screw 8.8	8
7	NS800625	M24 Washer	8
8	NS800441	Spring Washer M24	8
9	NS800440	M24 Full Nut	8

# Original Working Instructions

## Usage Instructions

---

### Important Usage Notes

- Ensure that all personnel are clear of the excavator when manoeuvring and scraping. All personnel involved in process must be wearing relevant personal protective equipment.
- Check that the quick hitch is securely attached to the excavator arm following the manufacturers' instructions and giving special attention to any safety features.

### Usage Instructions

1. Select relevant size pins to match your machine's quick hitch.
2. Fit front pin to correct sized hole on the Excavator Pile Scraper.
3. Adjust the position of rear pin to suit the quick hitch- follow the quick hitch operating guidelines and set the pins to the maximum centres for the unit.
4. Ensure the quick hitch pins have the retaining bolts and washers and they are correctly fitted.
5. Check for debris in the quick hitch locking mechanism and check the fit of the unit on the quick hitch, do not use if not secure.
6. Ensure other pins, as available, are stored correctly to prevent loss.
7. Once the Excavator Pile Scraper is fitted correct and ready to use, manoeuvre the excavator to the pile wall.
8. Position the nose of the attachment into the indent of the piles join, and drag up the wall using the excavator arm mechanism, until the wall is free from debris.
9. Move along the wall, cleaning each pile as required.
10. Once the wall is clear of debris and the Excavator Pile Scraper is no longer needed, lower to the ground and release from the quick hitch.

# Original Working Instructions

## Safety Instructions

---

### Basic Safety

A site-specific Risk Assessment, and lift plan where applicable, must be completed by the responsible person before using this equipment to control risks, produce a safe system of work and ensure safety for you, your colleagues and others. Your risk assessment will determine the correct Personal Protective Equipment (PPE) for the task you are doing. You must use it. Conquip recommends that you should wear:

- Suitable clothing
- Gloves
- Hard hat
- Protective footwear (steel toecaps)
- Safety glasses



### Important Safety Notes

- Read these instructions before using this equipment. If there is anything you do not understand or if you have any concerns do not use this equipment. Contact your supervisor or Conquip Engineering Group for advice.
- You must check that you have considered all the safety requirements for the task you are doing and that this equipment is suitable.
- You must protect bystanders and the general public by preventing access to the working area.
- Do not use this equipment if you are tired, unwell or under the influence of alcohol or drugs. If you are taking any medicine or undergoing treatment you should inform your supervisor.

## Usage & Transportation

- Never unevenly load this equipment.
- The weight of the equipment, together with its attachments, must be added to the weight of the load when calculating the total load that will be imposed on the lifting apparatus / operating machine.
- This equipment must be used in conjunction with the load ratings of the lifting apparatus / operating machine. (Refer to the manufacturers' load ratings and original working instructions).
- Make sure you know how to use this equipment and understand all aspects of its operation in case of emergency.
- This equipment weighs more than 25kg. Do not lift or manhandle without machine assistance.
- Do not operate this equipment near overhead power lines.
- Take care in confined spaces, near ceilings or similar hazards. This equipment was designed for vertical lifting. Do not drag, or swing.
- Before operating this equipment, check that you have enough space for you to work safely and make sure that the working area is clear of hazards, obstructions and personnel.
- Before lowering equipment make sure that the landing zone is clear and capable of accepting the size and weight of the load.
- Crush Risk. Keep hands and feet clear of the equipment at all times to avoid injury.
- Do not exceed the maximum Working Load Limit (WLL) shown on the serial plate. Ensure that the WLL on the individual lift points is not exceeded.

## Personnel

- All personnel must wear relevant personal protective equipment.
- Do not wear loose clothing or jewellery and tie back long hair to avoid becoming tangled or trapped in this equipment. You must make everyone in the work area aware of what you are doing.
- All personnel involved in the lifting operation must be competent to do so and must have been briefed in conjunction with this User Guide available from Conquip Engineering Group, the manufacturer.

## Equipment Maintenance & Cleaning

- It is mandatory that the equipment is thoroughly examined regularly, by a qualified engineer, to ensure compliance with relevant regulation/s. (Conquip recommend to carry out thorough examination every six months).
- This product may incorporate various loose and detachable items of lifting gear. Refer to the separate requirements for the safe use of those items.
- When not being used, store the unit in a clean, upright condition and in a safe place where it will be protected from thieves and unauthorised users.
- This equipment must be inspected by the responsible person before each use and then regularly, as determined by your risk assessment or working practice. If you have any concerns about condition or suitability do not use.

# Disclaimer

---

## Warranty

The products supplied by Conquip Engineering Group are all guaranteed by a 12 month warranty.

Apart from where exceptions apply, Conquip Engineering Group promises to repair or replace any fault which the Company considers to be due to defective material or workmanship within 12 months of the date of sale, at no additional cost.

- Faults arising from unauthorised alterations (see modifications section below for full details).
- Damage caused by abuse, neglect, misuse or falling.
- Damage caused because of failure to follow transportation, storage, loading, cleaning or operating instructions.
- Replacement or repair of components due to fair wear and tear.
- Any consequential damage or wear arising from the use or fitting of additional or non-standard parts.

## Modifications

If any third-party modifications or alterations, involving drilling, welding, cutting or distortion of materials in any form, are to be carried out on the product, Conquip Engineering Group must provide full written approval prior to the work being carried out.

Alterations, modifications, additions or repairs must be carried out by Conquip Engineering Group's recognised distributors, if they are not carrying out the work themselves.

Conquip Engineering Group operate a continuous improvement policy and therefore reserve the right to alter technical specifications and user guide details at any point without notice.

Conquip Engineering Group will not cover or reimburse any transportation and/or shipment costs to and from their premises or their recognised agents, or any material and/or labour costs for repair, replacement or assessment against a warranty claim.

Conquip Engineering Group and/or their directors, employees, insurers or recognised agents will not be held liable for consequential damages, losses or expenses relating to the inability to use the product correctly for its purpose.









## Important Notes

- This User Guide is for this Conquip product only.
- Any movements of the product must be thoroughly planned before the work commences to identify potential hazards and assess risk.
- All personnel involved in lifting and transportation of this product must have read this User Guide and must be properly briefed.
- You must be competent, alert and medically fit when using this equipment. If you have a medical condition, a mental or physical disability, you must seek advice from a medical professional before using this equipment.

Talking to us is easy

**We're here to help**

Call us on (02) 8844 4590

Email us at [sales@conquipgroup.com.au](mailto:sales@conquipgroup.com.au)

[www.conquipgroup.com.au](http://www.conquipgroup.com.au)