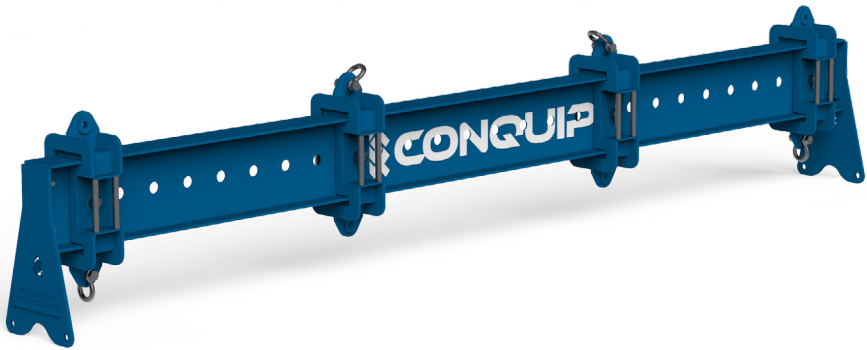


User Guide

Adjustable Lifting Beam



Product Information

Overview

The Adjustable Lifting Beam is the ideal solution for securely transporting heavy or uneven loads. Robust, slidable lifting points can be moved along the beam to achieve even weight distribution, including loads where the centre of gravity is not centrally positioned.

The chains do not need to be adjusted for uneven loads, which reduces the number of test lifts required and manual handling, ensuring a safer, more efficient lifting solution. With a Working Load Limit up to 10,000kg, the Adjustable Spreader Beam is ideal for large or awkward lifts, such as a modular pod installation.

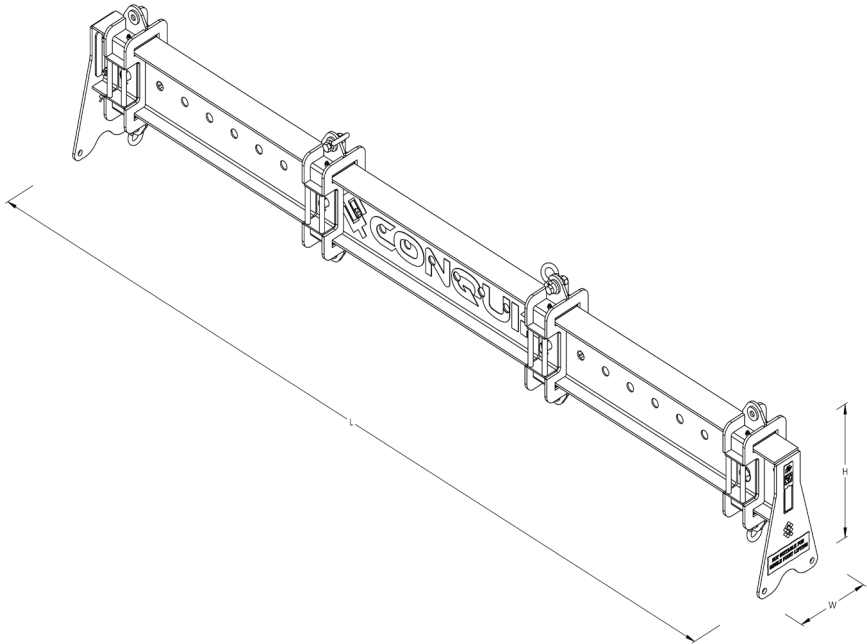
Key Benefits

- Slidable lifting points ensure uneven loads can be safely lifted without adjusting the chains.
- Reduced manual handling increases efficiency and safety.
- Its versatility ensures it can lift a variety of different loads.
- Multiple lifting points handle loads that require a 4-point lift.
- The 4 slidable lifting points provide more secure weight distribution.
- Handles on the slidable lifting points reduce risk of injury to personnel.
- Robust design ensures large Working Load Limit.

Product Information

Specification

Item	Product Code
Adjustable Lifting Beam	CA235AA-10000



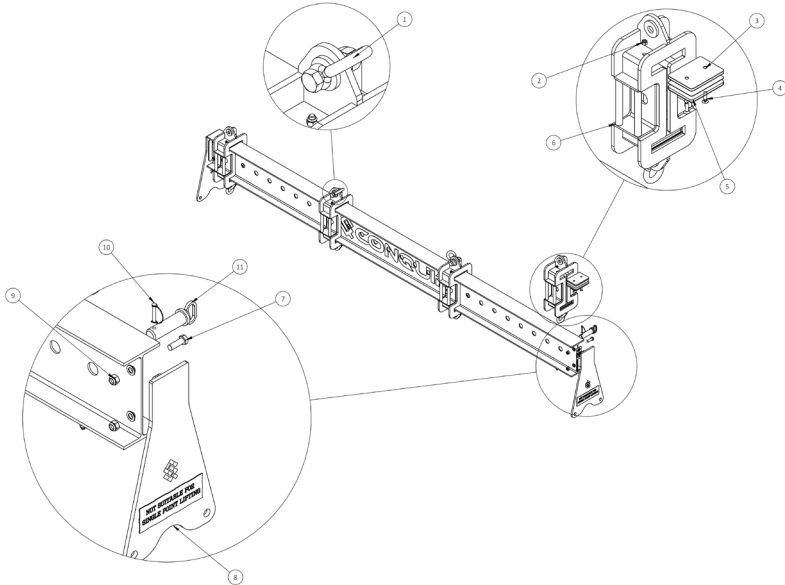
¹Working Load Limit

Product Code	Height	Width	Length	Weight	WLL ¹
CA235AA-10000	900mm	430mm	4995mm	500kg	10,000kg

Product Information

Parts Diagram

Adjustable Lifting Beam



NOTE: These parts are for this model, they may differ for previous versions. Please contact Conquip with any queries.

Item Number	Part Number	Description	Quantity
1	SH101-06500	Safety Bow Shackle 6500kg SWL	4
2	NS800454	M12 Nyloc Nut	16
3	NS800396	Spacer	23
4	NS801016	M12 x 45 Countersunk Socket Cap Screw	16
5	Nylon Wear Plate	Nylon Wear Plate	8
6	Sliding Lifting Point	Sliding Lifting Point	4
7	NS800406	M20x60 Hex Head Bolt 8.8	4
8	Feet	Feet	2
9	NS800841	M20 Nyloc Nut	4
10	ZZ990313	Shaft Locking Pin	4
11	Locking Pin	Locking Pin	4

Original Working Instructions

Usage Instructions

Important Usage Notes

- No single point lift allowed.
- Lifting point position to be mirrored/symmetrical on both ends of beam to maintain stability.
- Working Load Limit (WLL) is dependant on the position of the slidable lifting points (refer to usage instructions below).
- Check the locking pin is fastened and locked before use

Usage instructions

1. Ensure the exclusion zones are in place prior to lifting.
2. Attach a suitable rated chain sling using the attachment points on top of the beam.
3. Adjust slidable lifting points to prepare beam for lift.
4. The distance between the lifting points must be no less than 1620mm (8 holes). See Fig 1, page 6.
5. For a WLL of 10 tonnes, the maximum spacing between lifting point and drop chain is up to 1400mm (7 holes). See Fig 2, page 6.
6. If the distance between the lifting point and drop chain is greater than 1440mm, the WLL reduces to 6 tonnes. See Fig 3, page 6.
7. Attach the materials or goods to the adjustable lifting beam using relevant lifting chains and safety accessories.
8. Using the crane or lifting apparatus, transport the lifting beam and materials to the relevant location on-site and place onto the ground.
9. Disconnect the lifting chains that are attached to the materials and goods move the lifting beam into position for the next lift.

Original Working Instructions

Usage Instructions

Fig 1



Distance between lifting points must be no less than 1620mm (8 holes).

Fig 2



For 10 tonnes WLL, the maximum spacing between lifting point and drop chain is up to 1440mm.

Fig 3



If the distance between lifting point and drop chain is greater than 1440mm, the WLL is 6 tonnes.

Original Working Instructions

Safety Instructions

Basic Safety

A site-specific Risk Assessment, and lift plan where applicable, must be completed by the responsible person before using this equipment to control risks, produce a safe system of work and ensure safety for you, your colleagues and others. Your risk assessment will determine the correct Personal Protective Equipment (PPE) for the task you are doing. You must use it. Conquip recommends that you should wear:

- Suitable clothing
- Gloves
- Hard hat
- Protective footwear (steel toecaps)
- Safety glasses



Important Safety Notes

- Read these instructions before using this equipment. If there is anything you do not understand or if you have any concerns do not use this equipment. Contact your supervisor or Conquip Engineering Group for advice.
- You must check that you have considered all the safety requirements for the task you are doing and that this equipment is suitable.
- You must protect bystanders and the general public by preventing access to the working area.
- Do not use this equipment if you are tired, unwell or under the influence of alcohol or drugs. If you are taking any medicine or undergoing treatment you should inform your supervisor.

Usage & Transportation

- Never unevenly load this equipment.
- The weight of the equipment, together with its attachments, must be added to the weight of the load when calculating the total load that will be imposed on the lifting apparatus / operating machine.
- This equipment must be used in conjunction with the load ratings of the lifting apparatus / operating machine. (Refer to the manufacturers' load ratings and original working instructions).
- Make sure you know how to use this equipment and understand all aspects of its operation in case of emergency.
- This equipment weighs more than 25kg. Do not lift or manhandle without machine assistance.
- Do not operate this equipment near overhead power lines.
- Take care in confined spaces, near ceilings or similar hazards. This equipment was designed for vertical lifting. Do not drag, or swing.
- Before operating this equipment, check that you have enough space for you to work safely and make sure that the working area is clear of hazards, obstructions and personnel.
- Before lowering equipment make sure that the landing zone is clear and capable of accepting the size and weight of the load.
- Crush Risk. Keep hands and feet clear of the equipment at all times to avoid injury.
- Do not exceed the maximum Working Load Limit (WLL) shown on the serial plate. Ensure that the WLL on the individual lift points is not exceeded.
- Before lifting, check that the load is secured, balanced and stable. Allow space for the equipment to move if the load shifts.

Personnel

- All personnel must wear relevant personal protective equipment.
- Do not wear loose clothing or jewellery and tie back long hair to avoid becoming tangled or trapped in this equipment. You must make everyone in the work area aware of what you are doing.
- All personnel involved in the lifting operation must be competent to do so and must have been briefed in conjunction with this User Guide available from Conquip Engineering Group, the manufacturer.

Equipment Maintenance & Cleaning

- It is mandatory that the equipment is thoroughly examined regularly, by a qualified engineer, to ensure compliance with relevant regulation/s. (Conquip recommend to carry out thorough examination every six months).
- This product may incorporate various loose and detachable items of lifting gear. Refer to the separate requirements for the safe use of those items.
- When not being used, store the unit in a clean, upright condition and in a safe place where it will be protected from thieves and unauthorised users.
- This equipment must be inspected by the responsible person before each use and then regularly, as determined by your risk assessment or working practice. If you have any concerns about condition or suitability do not use.

Disclaimer

Warranty

The products supplied by Conquip Engineering Group are all guaranteed by a 12 month warranty.

Apart from where exceptions apply, Conquip Engineering Group promises to repair or replace any fault which the Company considers to be due to defective material or workmanship within 12 months of the date of sale, at no additional cost.

- Faults arising from unauthorised alterations (see modifications section below for full details).
- Damage caused by abuse, neglect, misuse or falling.
- Damage caused because of failure to follow transportation, storage, loading, cleaning or operating instructions.
- Replacement or repair of components due to fair wear and tear.
- Any consequential damage or wear arising from the use or fitting of additional or non-standard parts.

Modifications

If any third-party modifications or alterations, involving drilling, welding, cutting or distortion of materials in any form, are to be carried out on the product, Conquip Engineering Group must provide full written approval prior to the work being carried out.

Alterations, modifications, additions or repairs must be carried out by Conquip Engineering Group's recognised distributors, if they are not carrying out the work themselves.

Conquip Engineering Group operate a continuous improvement policy and therefore reserve the right to alter technical specifications and user guide details at any point without notice.

Conquip Engineering Group will not cover or reimburse any transportation and/or shipment costs to and from their premises or their recognised agents, or any material and/or labour costs for repair, replacement or assessment against a warranty claim.

Conquip Engineering Group and/or their directors, employees, insurers or recognised agents will not be held liable for consequential damages, losses or expenses relating to the inability to use the product correctly for its purpose.

Important Notes

- This User Guide is for this Conquip product only.
- Any movements of the product must be thoroughly planned before the work commences to identify potential hazards and assess risk.
- All personnel involved in lifting and transportation of this product must have read this User Guide and must be properly briefed.
- You must be competent, alert and medically fit when using this equipment. If you have a medical condition, a mental or physical disability, you must seek advice from a medical professional before using this equipment.

Talking to us is easy

We're here to help

Call us on (02) 8844 4590

Email us at sales@conquipgroup.com.au

www.conquipgroup.com.au