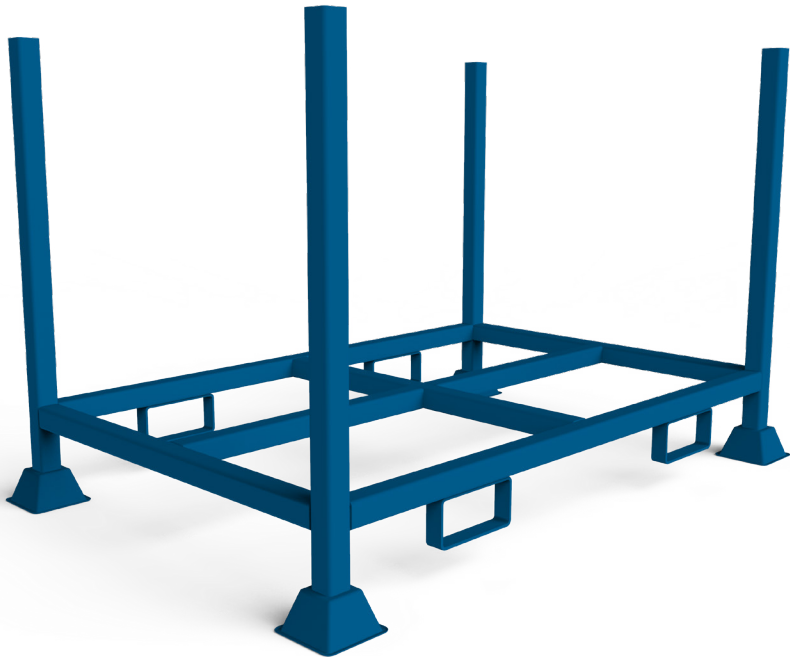


User Guide

Post Stillage



Product Information

Overview

The Conquip Post Stillage is a frame for storage of materials. The stillage is available in a variety of sizes, is suitable for a wide range of material types and sizes and can be transported by forklift.

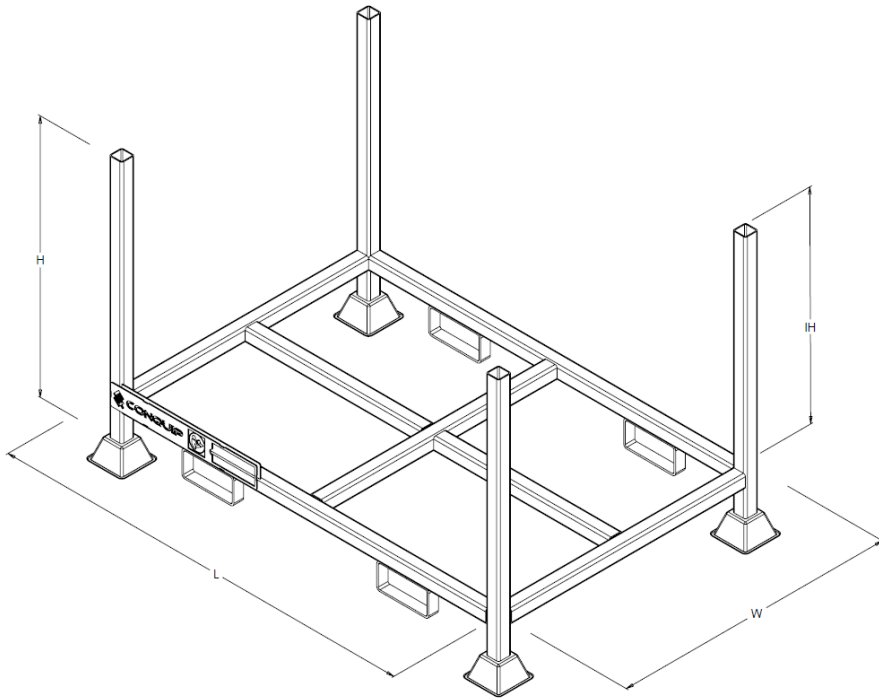
Key Benefits

- Simple framework design, enables ease of transportation.
- Stackable design for maximum space utilisation on site.
- Complete with fork pockets for transporting around site or off a delivery vehicle.

Product Information

Specification

Item	Product Code
Post Stillage 600	ST100AC-00600
Post Stillage 720	ST100AC-00720
Post Stillage 900	ST100AC-00900
Post Stillage 1125	ST100AC-01125



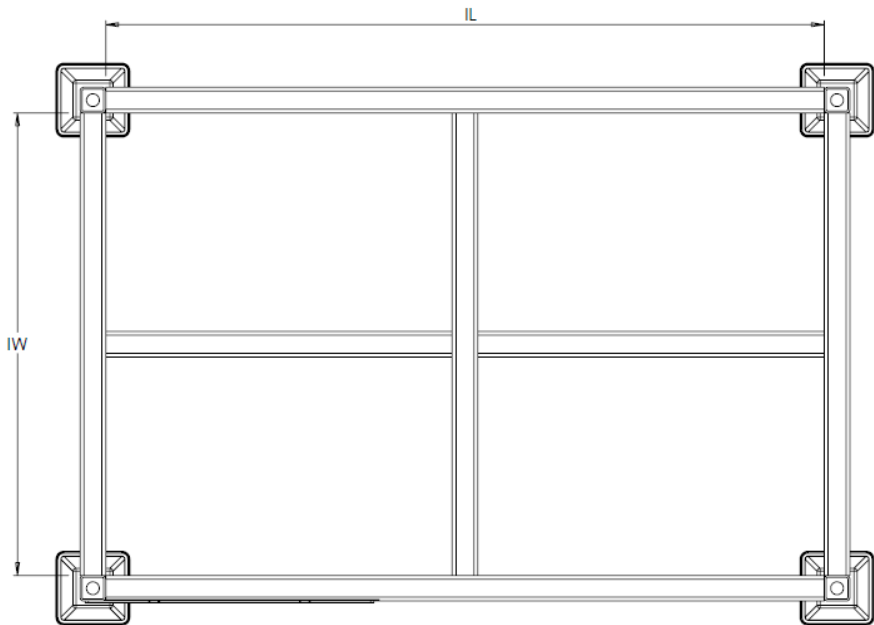
¹Working Load Limit

Product Code	Height	Width	Length	Weight	WLL ¹	Capacity
ST100AC-00600	810mm	800mm	1000mm	32kg	1500kg	600 litre
ST100AC-00720	810mm	800mm	1200mm	34kg	1500kg	720 litre
ST100AC-00900	810mm	800mm	1500mm	36kg	1500kg	900 litre
ST100AC-01125	810mm	1000mm	1500mm	38kg	1500kg	1125 litre

Product Information

Specification

Item	Product Code
Post Stillage 600	ST100AC-00600
Post Stillage 720	ST100AC-00720
Post Stillage 900	ST100AC-00900
Post Stillage 1125	ST100AC-01125



Product Code	Internal Height	Internal Width	Internal Length
ST100AC-00600	630mm	720mm	920mm
ST100AC-00720	630mm	720mm	1120mm
ST100AC-00900	630mm	720mm	1420mm
ST100AC-01125	630mm	920mm	1420mm

Original Working Instructions

Usage Instructions

Important Usage Notes

- Ensure that the ground is flat and free from obstacles, services or machinery before transporting the Post Stillage to its required position.
- The Post Stillage should not be lifted by any means other than the fork pockets.
- Do not allow personnel near the Post Stillage if you are using heavy machinery to load or unload.

Usage Instructions

1. To lift and manoeuvre the Post Stillage, drive a forklift to the stillage aligning the forks with the Post Stillage's fork pockets.
2. Double check that all is correctly aligned, then move the forklift forward until the forks are fully inserted into the fork pockets.
3. Carefully raise the stillage off the ground. Do not allow hands or feet to come between the Post Stillage and the ground.
4. Carefully transport the stillage to its required storage position on site.
5. When in position, lower to the ground and reverse the forklift clear of the stillage.
6. Load the stillage with materials, as required.
7. Ensure the height and width of the material stays within the height of the stillage, especially if the Post Stillages are to be stacked or transported with load.
8. Post Stillages can be stacked on top of each other, using a forklift or other suitable lifting apparatus to manoeuvre them.

Original Working Instructions

Safety Instructions

Basic Safety

A site-specific Risk Assessment, and lift plan where applicable, must be completed by the responsible person before using this equipment to control risks, produce a safe system of work and ensure safety for you, your colleagues and others. Your risk assessment will determine the correct Personal Protective Equipment (PPE) for the task you are doing. You must use it. Conquip recommends that you should wear:

- Suitable clothing
- Gloves
- Hard hat
- Protective footwear (steel toecaps)
- Safety glasses



Important Safety Notes

- Read these instructions before using this equipment. If there is anything you do not understand or if you have any concerns do not use this equipment. Contact your supervisor or Conquip Engineering Group for advice.
- You must check that you have considered all the safety requirements for the task you are doing and that this equipment is suitable.
- You must protect bystanders and the general public by preventing access to the working area.
- Do not use this equipment if you are tired, unwell or under the influence of alcohol or drugs. If you are taking any medicine or undergoing treatment you should inform your supervisor.

Usage & Transportation

- Never unevenly load this equipment.
- The weight of the equipment, together with its attachments, must be added to the weight of the load when calculating the total load that will be imposed on the lifting apparatus / operating machine.
- This equipment must be used in conjunction with the load ratings of the lifting apparatus / operating machine. (Refer to the manufacturers' load ratings and original working instructions).
- Make sure you know how to use this equipment and understand all aspects of its operation in case of emergency.
- This equipment weighs more than 25kg. Do not lift or manhandle without machine assistance.
- Do not operate this equipment near overhead power lines.
- Take care in confined spaces, near ceilings or similar hazards. This equipment was designed for vertical lifting. Do not drag, or swing.
- Before operating this equipment, check that you have enough space for you to work safely and make sure that the working area is clear of hazards, obstructions and personnel.
- Before lowering equipment make sure that the landing zone is clear and capable of accepting the size and weight of the load.
- Crush Risk. Keep hands and feet clear of the equipment at all times to avoid injury.
- Do not exceed the maximum Working Load Limit (WLL) shown on the serial plate. Ensure that the WLL on the individual lift points is not exceeded.
- Before lifting, check that the load is secured, balanced and stable. Allow space for the equipment to move if the load shifts.
- Manoeuvre loaded or raised equipment carefully. Travel and turn slowly to avoid unit becoming unstable.

Personnel

- All personnel must wear relevant personal protective equipment.
- Do not wear loose clothing or jewellery and tie back long hair to avoid becoming tangled or trapped in this equipment. You must make everyone in the work area aware of what you are doing.
- All personnel involved in the lifting operation must be competent to do so and must have been briefed in conjunction with this User Guide available from Conquip Engineering Group, the manufacturer.

Equipment Maintenance & Cleaning

- It is mandatory that the equipment is thoroughly examined regularly, by a qualified engineer, to ensure compliance with relevant regulation/s. (Conquip recommend to carry out thorough examination every six months).
- This product may incorporate various loose and detachable items of lifting gear. Refer to the separate requirements for the safe use of those items.
- When not being used, store the unit in a clean, upright condition and in a safe place where it will be protected from thieves and unauthorised users.
- This equipment must be inspected by the responsible person before each use and then regularly, as determined by your risk assessment or working practice. If you have any concerns about condition or suitability do not use.

Disclaimer

Warranty

The products supplied by Conquip Engineering Group are all guaranteed by a 12 month warranty.

Apart from where exceptions apply, Conquip Engineering Group promises to repair or replace any fault which the Company considers to be due to defective material or workmanship within 12 months of the date of sale, at no additional cost.

- Faults arising from unauthorised alterations (see modifications section below for full details).
- Damage caused by abuse, neglect, misuse or falling.
- Damage caused because of failure to follow transportation, storage, loading, cleaning or operating instructions.
- Replacement or repair of components due to fair wear and tear.
- Any consequential damage or wear arising from the use or fitting of additional or non-standard parts.

Modifications

If any third-party modifications or alterations, involving drilling, welding, cutting or distortion of materials in any form, are to be carried out on the product, Conquip Engineering Group must provide full written approval prior to the work being carried out.

Alterations, modifications, additions or repairs must be carried out by Conquip Engineering Group's recognised distributors, if they are not carrying out the work themselves.

Conquip Engineering Group operate a continuous improvement policy and therefore reserve the right to alter technical specifications and user guide details at any point without notice.

Conquip Engineering Group will not cover or reimburse any transportation and/or shipment costs to and from their premises or their recognised agents, or any material and/or labour costs for repair, replacement or assessment against a warranty claim.

Conquip Engineering Group and/or their directors, employees, insurers or recognised agents will not be held liable for consequential damages, losses or expenses relating to the inability to use the product correctly for its purpose.

Important Notes

- This User Guide is for this Conquip product only.
- Any movements of the product must be thoroughly planned before the work commences to identify potential hazards and assess risk.
- All personnel involved in lifting and transportation of this product must have read this User Guide and must be properly briefed.
- You must be competent, alert and medically fit when using this equipment. If you have a medical condition, a mental or physical disability, you must seek advice from a medical professional before using this equipment.

Talking to us is easy

We're here to help

Call us on (02) 8844 4590

Email us at sales@conquipgroup.com.au

www.conquipgroup.com.au